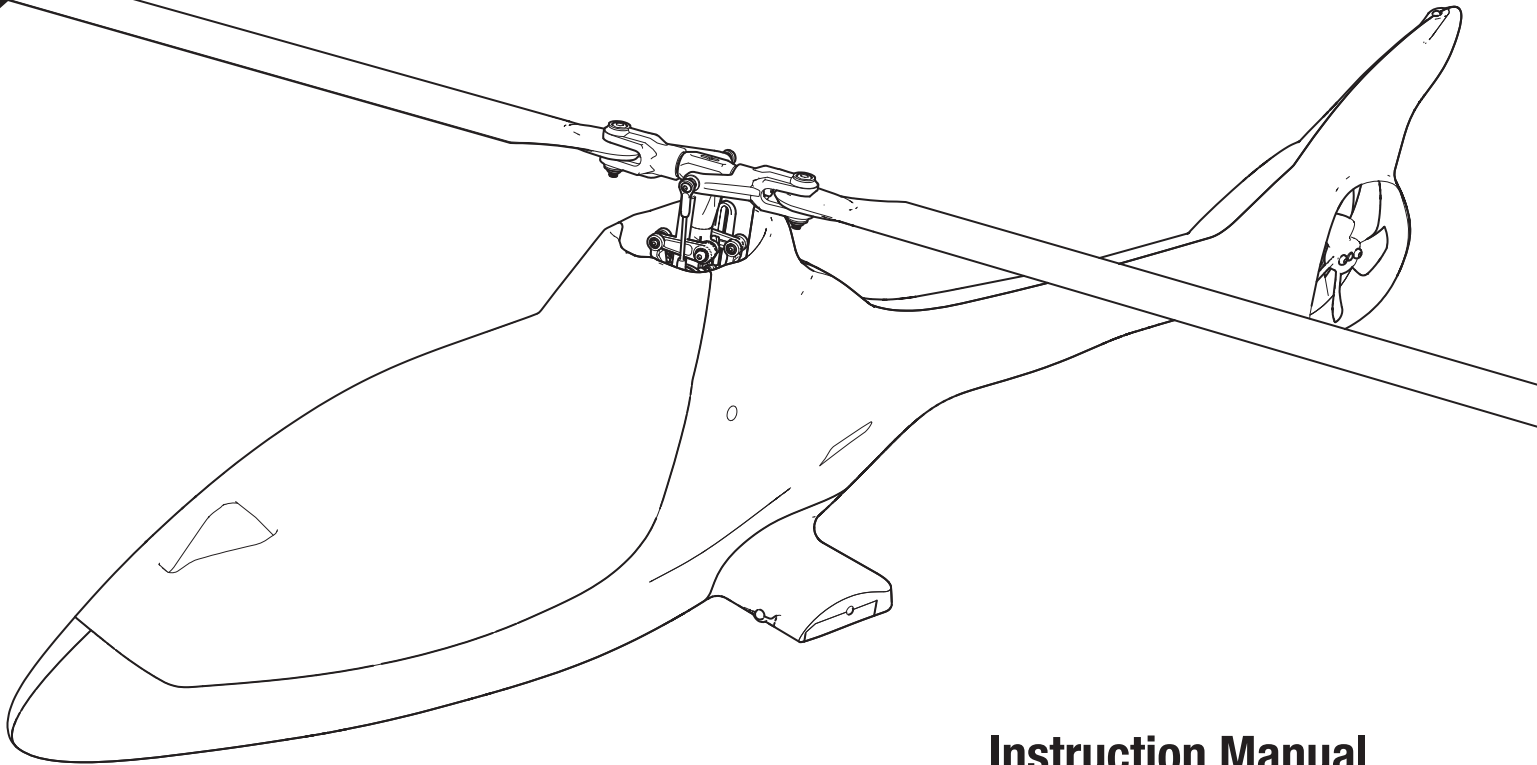


Eclipse 360 BNF Basic



**Instruction Manual
Bedienungsanleitung
Manuel d'utilisation
Manuale di Istruzioni**

Scan the QR code and select the Manuals and Support quick links from the product page for the most up-to-date manual information.

Scannen Sie den QR-Code und wählen Sie auf der Produktseite die Quicklinks Handbücher und Unterstützung, um die aktuellsten Informationen zu Handbücher.

Scannez le code QR et sélectionnez les liens rapides Manuals and Support sur la page du produit pour obtenir les informations les plus récentes sur le manuel.

Scannerizzare il codice QR e selezionare i Link veloci Manuali e Supporto dalla pagina del prodotto per le informazioni manuali più aggiornate.



NOTICE

All instructions, warranties and other collateral documents are subject to change at the sole discretion of Horizon Hobby, LLC. For up-to-date product literature, visit horizonhobby.com or towerhobbies.com and click on the support or resources tab for this product.

Meaning of Special Language

The following terms are used throughout the product literature to indicate various levels of potential harm when operating this product:

WARNING: Procedures, which if not properly followed, create the probability of property damage, collateral damage, and serious injury OR create a high probability of superficial injury.

CAUTION: Procedures, which if not properly followed, create the probability of physical property damage AND a possibility of serious injury.

NOTICE: Procedures, which if not properly followed, create a possibility of physical property damage AND a little or no possibility of injury.



WARNING: Read the ENTIRE instruction manual to become familiar with the features of the product before operating. Failure to operate the product correctly can result in damage to the product, personal property and cause serious injury.

This is a sophisticated hobby product. It must be operated with caution and common sense and requires some basic mechanical ability. Failure to operate this Product in a safe and responsible manner could result in injury or damage to the product or other property. This product is not intended for use by children without direct adult supervision. Do not use with incompatible components or alter this product in any way outside of the instructions provided by Horizon Hobby, LLC. This manual contains instructions for safety, operation and maintenance. It is essential to read and follow all the instructions and warnings in the manual, prior to assembly, setup or use, in order to operate correctly and avoid damage or serious injury.

Age Recommendation: Not for children under 14 years. This is not a toy.

Safety Precautions and Warnings

- Always keep a safe distance in all directions around your model to avoid collisions or injury. This model is controlled by a radio signal subject to interference from many sources outside your control. Interference can cause momentary loss of control.
- Always operate your model in open spaces away from full-size vehicles, traffic and people.
- Always carefully follow the directions and warnings for this and any optional support equipment (chargers, rechargeable battery packs, etc.).
- Always keep all chemicals, small parts and anything electrical out of the reach of children.
- Always avoid water exposure to all equipment not specifically designed and protected for this purpose. Moisture causes damage to electronics.
- Always engage throttle hold before approaching the aircraft.
- Never place any portion of the model in your mouth as it could cause serious injury or even death.
- Never operate your model with low transmitter batteries.
- Always keep aircraft in sight and under control.
- Always move the throttle fully down at rotor strike.
- Always use fully charged batteries.
- Always keep transmitter powered on while aircraft is powered.
- Always remove batteries before disassembly.
- Always keep moving parts clean.
- Always keep parts dry.
- Always let parts cool after use before touching.
- Always remove batteries after use.
- Never operate aircraft with damaged wiring.
- Never touch moving parts.



WARNING AGAINST COUNTERFEIT PRODUCTS: If you ever need to replace a Spektrum component found in a Horizon Hobby product, always purchase from Horizon Hobby, LLC or a Horizon Hobby authorized dealer to ensure authentic high-quality Spektrum product. Horizon Hobby, LLC disclaims all support and warranty with regards, but not limited to, compatibility and performance of counterfeit products or products claiming compatibility with DSM or Spektrum technology.

Table of Contents

NX and DX Series Transmitter Setup.....	4	Advanced Tuning (Forward Programming)	11
iX Series Transmitter Setup	5	Troubleshooting Guide.....	13
Installing the Flight Battery.....	6	Limited Warranty.....	14
Smart Throttle	7	Warranty and Service Contact Information.....	14
Throttle Hold	7	FCC and Canada Compliance Information.....	15
Control Tests	8	IC Information	15
Low Voltage Cutoff (LVC)	9	Compliance Information for the European Union.....	15
Understanding the Primary Flight Controls.....	9	Exploded View	56
Pre-Flight Checklist	10	Parts List	58
Flying the Blade Eclipse 360 Helicopter.....	10	Optional Parts	59
Removing the Mechanics From the Fuselage	10	Recommended Components	59
Post-Flight Inspections and Maintenance	11		

Specifications

Length	30.6 in (767mm)	Tail Rotor Diameter	4.7 in (120 mm)
Height	7.6 in (193mm)	Flying Weight	33 oz (935 g)
Main Rotor Diameter	30.6 in (767mm)		

Components

BNF- Basic (BLH01250)

Airframe	Blade Eclipse 360	Included
Main Motor	Main Motor: Eclipse 360, (BLH01247)	Installed
Tail Motor	Tailmotor: Eclipse 360 (BLH01248)	Installed
Receiver	SRXL2 DSMX Remote Serial Telemetry Receiver	Installed
Flight Controller	FC6250HX Helicopter Flybarless Flight Control (SPMFC6250HX)	Installed
ESC	Dual ESC 30A 15A: Eclipse 360 (SPMXAHE3015)	Installed
Swash Servos	Spektrum H3050 Mid-Torq Ultra-Speed Micro Heli Cyclic Servo	Installed

Required Equipment

Transmitter	DSM2®/DSMX® Compatible Transmitter
Flight Battery	3S 11.1V 2200mAh – 3200mAh Smart 30C (or higher) Li-Po with IC3® (we recommend SPMX22003S30)
Battery Charger	3S LiPo Battery Compatible (we recommend SPMXC2050)

Optional Accessories

RFL1205	RealFlight Trainer Edition RC Flight Simulator
SPMWS2000	WS2000 Wireless Simulator USB Dongle
SPMXPSA200	Smart G2 Powerstage: 3S 2200mAh

Completion Guide

Scan the QR code to go to the product completion guide for information on the recommended Powerstage bundle as well as other compatible batteries and chargers.



First Flight Preparation

- Remove and inspect contents
- Begin charging the flight battery
- Install the flight battery in the helicopter (once it has been fully charged)
- Program your computer transmitter
- Bind your transmitter
- Program Smart telemetry options in your transmitter
- Familiarize yourself with the controls
- Find a suitable area for flying

Flying Checklist

- Always turn the transmitter on first
- Plug the flight battery into the lead from the ESC
- Allow the ESC to initialize and arm properly
- Fly the model
- Land the model
- Unplug the flight battery from the ESC
- Always turn the transmitter off last

NX and DX Series Transmitter Setup

1. Power ON your transmitter, click on scroll wheel, roll to System Setup and click the scroll wheel. Choose yes.
2. Go to Model Select and choose <Add New Model> at the bottom of the list. The system asks if you want to create a new model, select Create
3. Set Model Type: Select Helicopter Model Type by choosing the Helicopter. The system asks you to confirm model type, data will be reset. Select YES
4. Scroll down and select Model Name: Input a name for your model file
5. Scroll up to BACK and press the scroll wheel to return to System Setup
6. Scroll down and select F-Mode Setup
Set to:
Switch 1: Switch B
Hold Switch: Switch H
7. Scroll up to LIST and press the scroll wheel to return to System Setup
8. Scroll down and select Channel Assign
Scroll down on the Channel input config screen and set Ch 5 Gear to F-Mode
9. Scroll up to LIST and press the scroll wheel to return to System Setup
10. Select <Main Screen>, Click the scroll wheel to enter the Function List
11. Scroll down to Rates and Expo and press the scroll wheel
Scroll down to Channel and select Aileron
Set Switch: Switch F
Move Switch F to the 0 position
Set High Rates: 100%/100%, Expo 25%/25%
Move Switch F to the 1 position
Set High Rates: 100%/100%, Expo 25%/25%
Move Switch F to the 2 position
Set Low Rates: 75%/75%, Expo 25%/25%
12. Scroll up to Channel and select Elevator
Set Switch: Switch F
Move Switch C to the 0 position
Set High Rates: 100%/100%, Expo 25%/25%
Move Switch C to the 1 position
Set High Rates: 100%/100%, Expo 25%/25%
Move Switch C to the 2 position
Set Low Rates: 75%/75%, Expo 25%/25%
13. Scroll up to Channel and select Rudder
Set Switch: Switch F
Move Switch C to the 0 position
Set High Rates: 100%/100%, Expo 45%/45%
Move Switch C to the 1 position
Set High Rates: 100%/100%, Expo 45%/45%
Move Switch C to the 2 position
Set Low Rates: 75%/75%, Expo 45%/45%
14. Scroll up to LIST and press the scroll wheel to return to the Function List
15. Scroll down to Throttle Curve and press the scroll wheel
Scroll to the N box for curve selection and press the scroll wheel to select the Normal curve
Set the Curve values to

1	2	3	4	5
0	50	63	75	90
16. Scroll to the #1 box for curve selection and press the scroll wheel to select the Stunt #1 curve
Set the Curve values to

1	2	3	4	5
90	90	90	90	90
17. Scroll to the #2 box for curve selection and press the scroll wheel to select the Stunt #2 curve
Set the Curve values to

1	2	3	4	5
100	100	100	100	100
18. Scroll to the H box for curve selection and press the scroll wheel to select the Hold curve
Set the Curve values to

1	2	3	4	5
0	0	0	0	0
19. Scroll up to LIST and press the scroll wheel to return to the Function List

20. Scroll down to Pitch curve and press the scroll wheel
Scroll to the N box for curve selection and press the scroll wheel to select the Normal curve
Set the Curve values to

1	2	3	4	5
30	40	50	75	100
21. Scroll to the #1 box for curve selection and press the scroll wheel to select the Stunt #1 curve
Set the Curve values to

1	2	3	4	5
0	25	50	75	100
22. Scroll to the #2 box for curve selection and press the scroll wheel to select the Stunt #2 curve
Set the Curve values to

1	2	3	4	5
0	25	50	75	100
23. Scroll to the H box for curve selection and press the scroll wheel to select the Hold curve
Set the Curve values to

1	2	3	4	5
30	40	50	75	100
24. Scroll up to LIST and press the scroll wheel to return to the Function List
25. Scroll down to Mixing and press the scroll wheel
Select Mix 1, Select Normal
Select the first INH (for master) and select the I switch
Select the second INH (for slave) and select the Gear Channel
Set the first Rate value to 0% the second to -125%
Set the Offset to 100
Set the Switch to the I button
26. Scroll up to LIST and press the scroll wheel to return to the Function List
27. Scroll down to Timer and press the scroll wheel
Set to;
Mode: Count Down
Time: 5:00
Start: Throttle Out
Over: 25%
One Time: Inhibit
28. Scroll up to LIST and press the scroll wheel to return to the Function List
29. Scroll up to <Main Screen> and press the scroll wheel

See the Smart Throttle section for information on telemetry setup

iX Series Transmitter Setup

1. Power ON your transmitter and begin once the Spektrum Airware app is open.
Select the orange pen icon in the upper left corner of the screen, the system asks for permission to Turn Off RF, select PROCEED

2. Select the three dots in the upper right corner of the screen, select Add a New Model

3. Select Model Option, choose DEFAULT, select Helicopter.
The system asks if you want to create a new heli model, select Create

4. Select the last model on the list, named Heli.
Tap on the word Acro and rename the file to a name of your choice

5. Tap and hold the back arrow icon in the upper left corner of the screen to return to the main screen

6. Tap on the Model Setup button

7. Set Flight Mode Setup
Switch 1: Switch B
Hold Switch: Switch H
Tap on the arrow in the upper left corner to return to the Model Setup menu

8. Set Channel Assign
Set Channel input config: set Ch 5 Gear to Flight Mode
Tap on the arrow in the upper left corner to return to the Model Setup menu
Tap on the arrow in the upper left corner to return to the main screen

9. Tap on the Model Adjust button

10. Tap on Dual Rates and Exponential;
Tap on the pull down tab at Channel and select Aileron
Set Switch: Switch F
Move Switch F to the 0 position
Set High Rates: 100%/100%, Expo 25%/25%
Move Switch F to the 1 position
Set High Rates: 100%/100%, Expo 25%/25%
Move Switch F to the 2 position
Set Low Rates: 75%/75%, Expo 25%/25%

11. Tap on the pull down tab at Channel and select Elevator
Set Switch: Switch F
Move Switch C to the 0 position
Set High Rates: 100%/100%, Expo 25%/25%
Move Switch C to the 1 position
Set High Rates: 100%/100%, Expo 25%/25%
Move Switch C to the 2 position
Set Low Rates: 75%/75%, Expo 25%/25%

12. Tap on the pull down tab at Channel and select Rudder
Set Switch: Switch F
Move Switch C to the 0 position
Set High Rates: 100%/100%, Expo 45%/45%
Move Switch C to the 1 position
Set High Rates: 100%/100%, Expo 45%/45%
Move Switch C to the 2 position
Set Low Rates: 75%/75%, Expo 45%/45%

13. Tap on the arrow in the upper left corner to return to the Model Adjust menu

14. Tap on Throttle curve
Ensure Switch H is set to the 0 position
Set the B switch to the 0 position to select the Normal curve
Set the Curve values to

1	2	3	4	5
0	50	63	75	90

15. Set the B switch to the 1 position to select the Stunt #1 curve
Set the Curve values to

1	2	3	4	5
90	90	90	90	90

16. Set the B switch to the 2 position to select the Stunt #2 curve
Set the Curve values to

1	2	3	4	5
100	100	100	100	100

17. Set the H switch to the 1 position to select the Hold curve
Set the Curve values to

1	2	3	4	5
0	0	0	0	0

18. Tap on the arrow in the upper left corner to return to the Model Adjust menu

19. Tap on Pitch curve
Ensure Switch H is set to the 0 position
Set the B switch to the 0 position to select the Normal curve
Set the Curve values to

1	2	3	4	5
30	40	50	75	100

20. Set the B switch to the 1 position to select the Stunt #1 curve
Set the Curve values to

1	2	3	4	5
0	25	50	75	100

21. Set the B switch to the 2 position to select the Stunt #2 curve
Set the Curve values to

1	2	3	4	5
0	25	50	75	100

22. Set the H switch to the 1 position to select the Hold curve
Set the Curve values to

1	2	3	4	5
30	40	50	75	100

23. Tap on the arrow in the upper left corner to return to the Model Adjust menu

24. Tap on Mixing
Select P-Mix 1, Select Normal
Select the first INH (for master) and select the I switch
Select the second INH (for slave) and select the Gear Channel
Set the first Rate value to 0% the second to -125%
Set the Offset to 100
Set the Switch to the I button

25. Tap on <Back> in the upper right corner to return to the Mixing menu

26. Tap on the arrow in the upper left corner to return to the Model Adjust menu

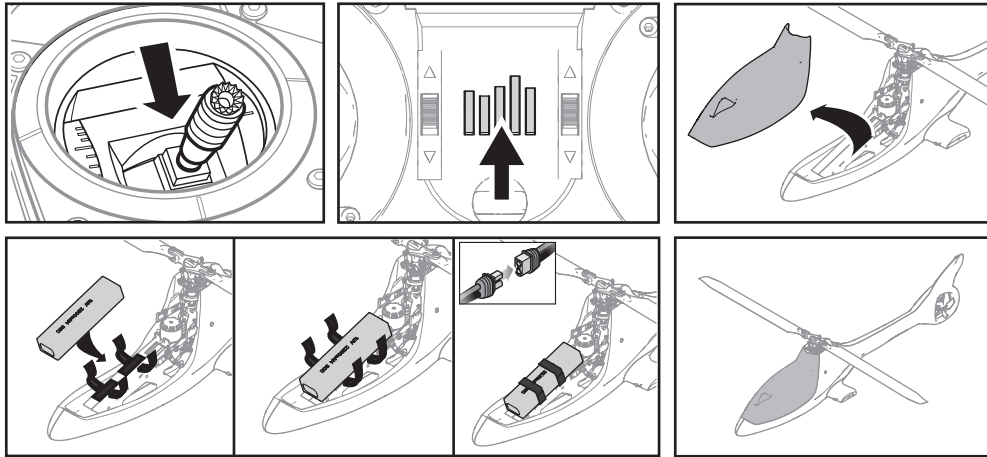
27. Tap on the arrow in the upper left corner to return to the main screen

28. Tap on the clock icon in the Timer 1 box
Set to;
Mode: Count Down
Time: 5:00
Switch: Throttle Out
Over Under Trigger: 25%
One Time: Inhibit

29. Tap on the arrow in the upper left corner to return to the main screen

See the Smart Throttle section for information on telemetry setup

Installing the Flight Battery



1. Lower the throttle.
2. Power on the transmitter.
3. Center all trims.
4. To allow the ESC to arm and to keep rotors from initiating at startup, turn on throttle hold and normal flight mode before connecting the flight battery.
5. Attach hook material to the helicopter frame and loop material to the battery.
6. Install the flight battery on the helicopter frame. Secure the flight battery with the hook and loop straps.
7. Bind your transmitter to the helicopter to establish a connection. See the Binding section below for more information.
8. Connect the battery cable to the ESC. The swashplate will center, indicating that the unit is ready. The flight controller status LED will display a slow green flash once initialization has been completed.
9. The helicopter motor will emit a series of tones, indicating the ESC is armed.

CAUTION: Make sure the flight battery, wire and connector does not come into contact with the motor. Failure to do so will cause the motor, ESC and battery to overheat, resulting in a crash causing property damage and injury.

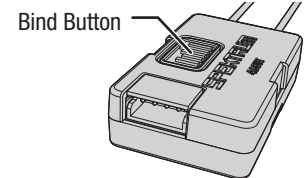
CAUTION: Always disconnect the Li-Po battery from the ESC power lead when not flying to avoid over-discharging the battery. Batteries discharged below the lowest approved voltage may become damaged, resulting in loss of performance and potential fire when batteries are charged.

Transmitter and Receiver Binding

Binding is the process of programming the receiver to recognize the GUID (Globally Unique Identifier) code of a single specific transmitter. You need to 'bind' your chosen Spektrum™ DSM2®/DSMX® technology equipped aircraft transmitter to the receiver for proper operation. The receiver on the Eclipse 360 Smart helicopter is located on the bottom frame tray. The bind button is located in the center of the case, off to one side, with the Spektrum logo (bars) on the surface of the button.



Your BNF aircraft must be bound to your transmitter to establish a connection, follow the directions below.



1. Program your transmitter using the Transmitter Setup found in this manual.
2. Lower the throttle stick to the lowest position, change the flight mode to normal mode (stability mode) and activate throttle hold. Set all trims to the center position.
3. Power off the transmitter, or power off the RF signal if using a Spektrum NX or iX series transmitter.
4. Connect the flight battery to the ESC.
5. Press the bind button on the remote receiver to initiate binding. The orange LED on the receiver will begin flashing rapidly to indicate bind mode.
6. Follow the procedures of your specific transmitter to enter bind mode. The system will connect within a few seconds. Once connected, the orange LED on the receiver will come on solid orange.
7. Disconnect the flight battery and power off your transmitter (or power off RF for iX series Spektrum transmitters).

If you encounter problems, obey binding instructions and refer to transmitter troubleshooting guide for other instructions. If needed, contact the appropriate Horizon Product Support office.

LED Indicator on Flight Controller

Indicator Description	
Slow Green Flash	Ready to Fly
Slow Red Flash	Failsafe Active
Slow Cyan Flash	Forward Programming Mode
Yellow Flash (during calibration)	Calibration proceeding normally
Red Flash (during calibration)	Calibration Error, FC not level or is being moved during calibration

Smart Throttle

The ESC in this helicopter paired with the FC6250HX flight controller and the 4651T receiver enables the use of Smart technology. This system can provide a variety of real-time power system related telemetry data while you fly, including motor RPM, current, battery voltage and more to compatible Spektrum AirWare™ equipped transmitters.

During binding your transmitter will perform an auto configuration which will populate the telemetry page. You may need to change the telemetry values to suit this aircraft and your needs.

To enter the telemetry values:

(For iX series transmitters, you must select Save on each page)

1. Power on your transmitter.
2. Set the throttle hold to on.
3. Power on the aircraft and allow it to initialize.

SAFE Technology

Revolutionary SAFE® (Sensor Assisted Flight Envelope) technology uses an innovative combination of multi-axis sensors and software that allows model aircraft to know its position relative to the horizon. This spatial awareness is utilized to create a controlled flight envelope the aircraft can use to maintain a safe region of bank and pitch angles so you can fly more safely. Far beyond stability, this level of protection offers multiple modes so the pilot can choose to develop his or her skills with a greater degree of security and flight control that always feels crisp and responsive.

Flight Mode and Rate Selection

Collective pitch helicopters use three powered flight modes; Normal, Stunt 1, and Stunt 2.

The Eclipse 360 has SAFE Stability On when in Normal mode. The rotor head spins at a low RPM, and the bank angle is limited. When the cyclic stick is released the model will return to level.

In Stunt 1 and Stunt 2 the Eclipse 360 has SAFE Stability Off and is only using AS3X technology to make the aircraft respond according to the control inputs. The bank angle is not limited. When the cyclic stick is released the model will not return to level.

Stunt 1 has a moderate headspeed for forward flight and sport aerobatics. Stunt 2 has a higher headspeed and can be used for more advanced aerobatics.

Flight Mode Operation

B Switch

- 0 = Normal, SAFE Stability On
- 1 = Stunt 1, SAFE Stability Off
- 2 = Stunt 2, SAFE Stability Off

Panic Recovery

If you get into distress while flying in any mode, activate the panic function and move the control sticks to their neutral position. SAFE technology will immediately return the aircraft to an upright level attitude, if the aircraft is at a sufficient height with no obstacles in its path. Return the collective stick to 50% and deactivate the Panic Recovery function to return to the current flight mode.

Panic Mode Operation

Bind / I Button

- Pressed = Panic Mode On
- Released = Panic Mode Off

Throttle Hold

Throttle hold only turns off the motor on an electric helicopter. You maintain pitch and direction control.

The blades will spin if throttle hold is OFF. For safety, turn throttle hold ON any time you need to touch the helicopter or check the direction controls.

Throttle Hold Operation

H Switch

- 0 = Motor operates normally
- 1 = Throttle hold is ON, motor will not spin

4. In your transmitter, go to the **Function List (Model Setup)** in iX series transmitters).
5. Select the **Telemetry** menu option.
6. Go to the **Smart Battery** menu option.
7. Scroll down to **Startup Volts**, enter **4.0V/cell**.
8. Return to the **Telemetry** menu.
9. Go to the **Smart ESC** menu option.
10. Scroll down to **Total Cells**, enter **3**.
11. Scroll down to **Low Voltage Alarm**, enter **3.2V/Cell** and set to **Voice**.
12. Scroll down to **Poles**, enter **8**.
13. Scroll down to **Ratio**, enter **9.64:1**
14. Return to the main screen.

SAFE technology delivers:

- Flight envelope protection you can enable at the flip of a switch.
- Multiple modes let you adapt SAFE technology to your skill level instantly.

Best of all, sophisticated SAFE technology doesn't require any work to enjoy. Every aircraft with SAFE installed is ready to use and optimized to offer the best possible flight experience.

Change control rates in any mode by moving the rate switch (Switch F).

- Low rate (switch position 2) reduces the control rates, making the model easier to control. Beginners should use low rate for initial flights.
- High rate (switch positions 0 and 1) provides full control and should be used by intermediate and experience pilots.

NOTICE: Before deactivating Panic Recovery, make sure the collective stick has been returned to the 50% position. Once the Panic Recovery has been deactivated, full negative collective becomes available, which could cause the Eclipse 360 Smart to descend rapidly.

- This mode is intended to provide the pilot with the confidence to continue to improve their flight skills.
- Move the collective stick to 50% and return all other transmitter controls to neutral for the quickest recovery.
- Once the model has reached a level upright attitude, the negative collective is reduced to prevent the user from pushing the model into the ground.

Throttle hold is also used to turn off the motor if the helicopter is out of control, in danger of crashing, or both.

Control Tests

CAUTION: You must complete the Cyclic tests prior to every flight. Failure to complete the tests and ensuring the sensor corrects in the proper direction can cause the helicopter to crash, resulting in property damage and injury.

Cyclic

It is normal for the swashplate to slowly move back to its original position after a stick input and for the servos to not move at the same speed as your control sticks.

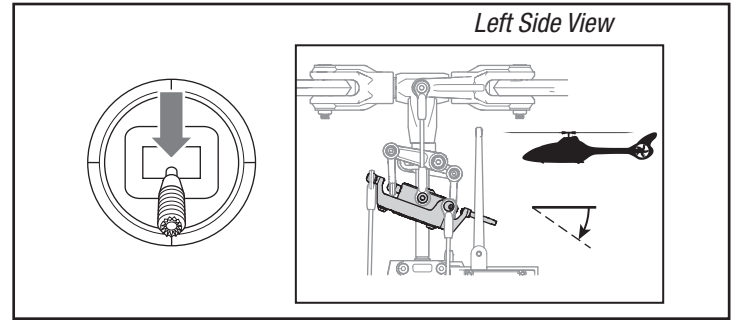
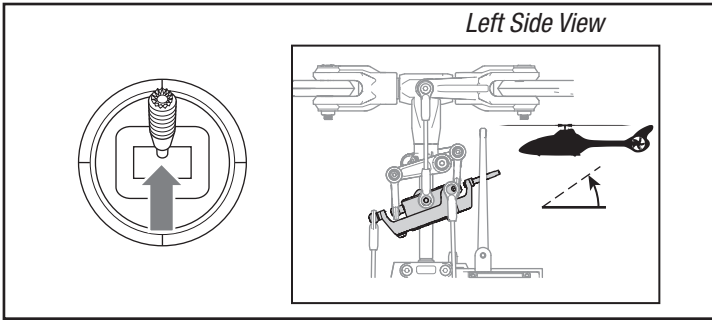
- Tilt the helicopter forward. The swashplate must tilt backward.
- Tilt the helicopter backward. The swashplate must tilt forward.
- Roll the helicopter left. The swashplate must roll right.
- Roll the helicopter right. The swashplate must roll left.

Cyclic and Collective Control Test

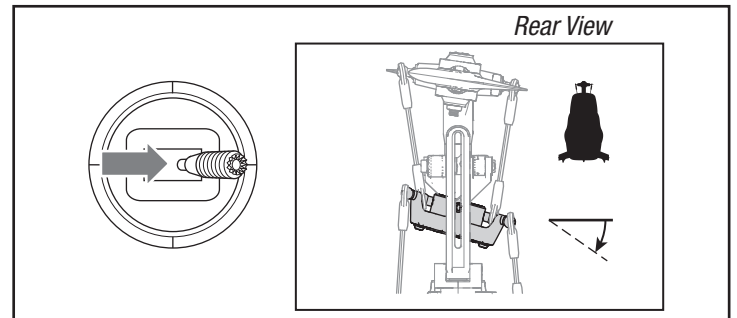
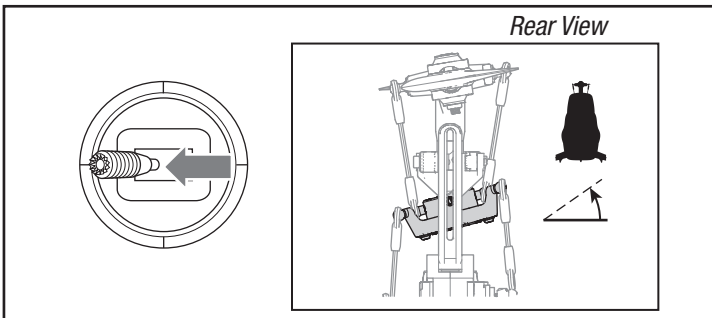
Ensure the throttle hold is ON when performing the direction control tests. Test the controls prior to each flight to ensure the servos, linkages and parts

operate correctly. If the controls do not react as shown in the illustrations below, confirm the transmitter is programmed correctly before continuing on to the **Motor Test**.

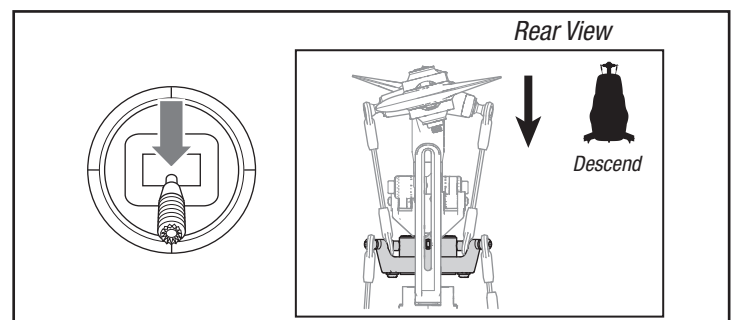
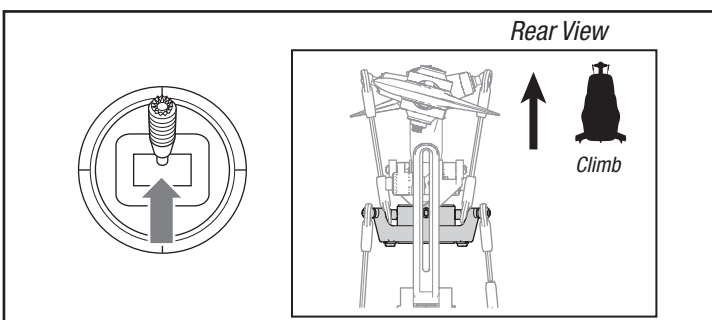
Elevator/ Fore and aft cyclic



Aileron/ Left and right cyclic



Collective Pitch



Motor Test

Place the helicopter outdoors on a clean, flat and level surface (concrete or asphalt) free of obstructions. Always stay clear of moving rotor blades.

WARNING: The motor will spin when throttle is increased while throttle hold is OFF.

1. Check the swashplate directions to ensure they are moving in the correct direction. Please refer to the diagrams on the prior page for reference.

WARNING: Stay at least 30 feet (10 meters) away from the helicopter when the motor is running. Do not attempt to fly the helicopter at this time.

2. Ensure the throttle is lowered completely and is in normal flight mode.
3. Turn throttle hold off.
4. Slowly increase the throttle until the blades begin to spin. The main blades spin clockwise when viewing the helicopter from the top. The tail rotor blades spin counterclockwise when viewing the helicopter from the right-hand side.
5. Turn throttle hold on.

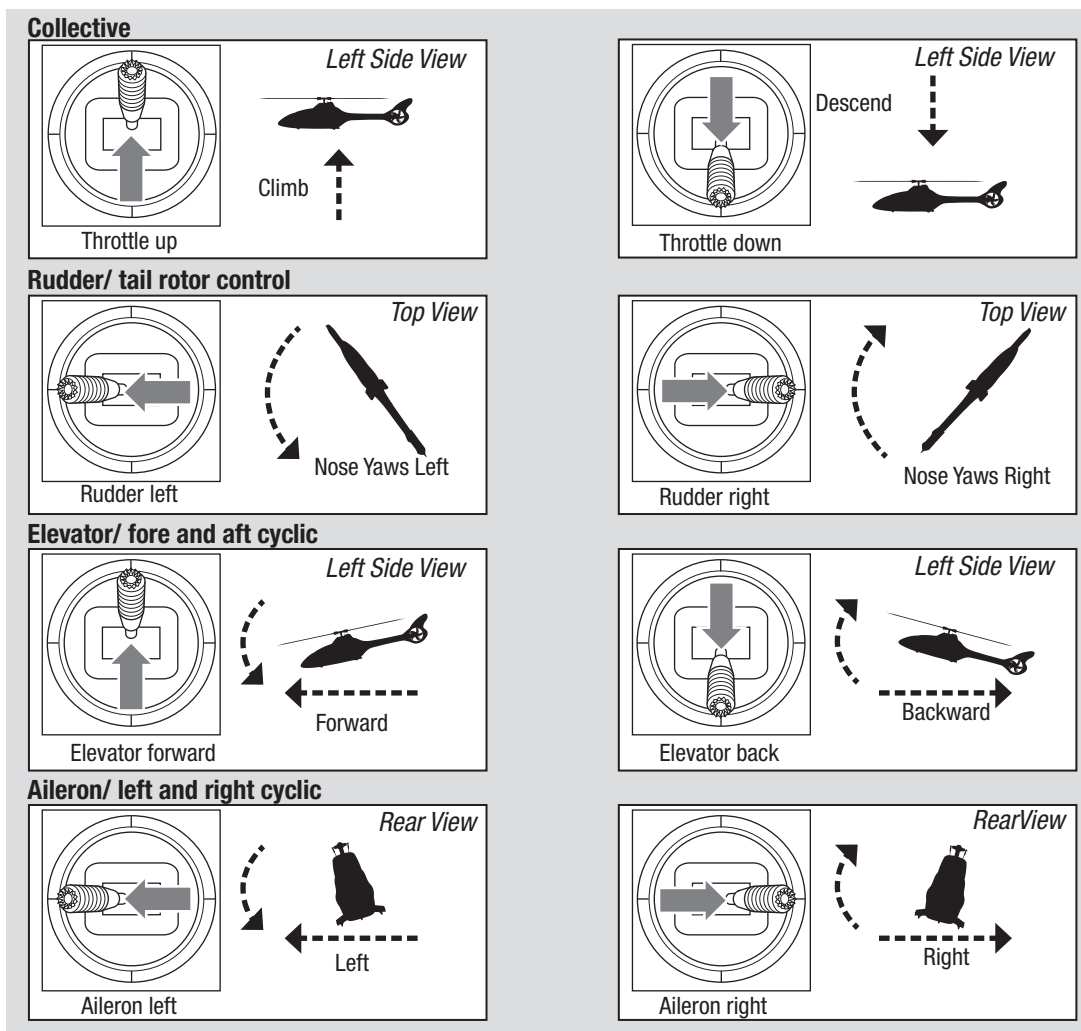
Low Voltage Cutoff (LVC)

The ESC will continuously lower power to the motor until complete shutdown when the battery reaches 9V under load. This helps prevent over-discharge of the Li-Po battery. Land immediately when the ESC activates LVC. Continuing to fly after LVC can damage the battery, cause a crash or both. Crash damage and batteries damaged due to over-discharge are not covered under warranty.

Repeatedly flying the helicopter until LVC activates will damage the helicopter battery. Disconnect and remove the Li-Po battery from the aircraft after use to prevent trickle discharge. During storage, make sure the battery charge does not fall below 3V per cell.

Understanding the Primary Flight Controls

If you are not familiar with the controls of your Eclipse 360, take a few minutes to familiarize yourself with them before attempting your first flight.



Pre-Flight Checklist

- Check all screws and ensure that they are tight
- Check main and tail blades to ensure they are not damaged
- Check all links and make sure they move freely but do not pop off easily
- Check that flight battery and transmitter battery are fully charged
- Check all wires to ensure that they are not cut, pinched, or chafed and are properly secured
- Check all wire connections
- Check gears and make sure no teeth are missing
- Do a complete control test
- Verify the receiver sensor is correcting in the proper directions
- Check that servos are functioning properly
- Check to make sure the flight battery is properly secured
- Check to make sure all electronic components are properly secured

Flying the Blade Eclipse 360 Helicopter

Consult local laws and ordinances before choosing a location to fly your aircraft.

Select a large, open area away from people and objects. Your first flights should be outdoors in low-wind conditions. Always stay at least 30 feet (10 meters) away from the helicopter when it is flying.

The Blade Eclipse 360 is intended to be flown outdoors by intermediate to experienced pilots.

Takeoff

The Eclipse 360 ESC utilizes a soft start function. Raise the throttle / collective stick to mid stick and the head speed will slowly begin to increase RPM. Once the head speed is constant (spool up takes approximately 10 seconds), raise the throttle / collective stick slowly until the model lifts off from the ground. Establish a hover at least 24" (0.6 meter) high, outside of ground effect.

CAUTION: Making large inputs to the roll or pitch controls while the helicopter is on the ground may result in a crash.

Flying

First flights should be performed in normal mode and low cyclic and tailrotor rates until you are familiar with the flying manner of the helicopter.

CAUTION: Always fly the helicopter with your back to the sun and the wind to prevent loss of flight control.

Landing

Establish a low level hover. Deliberately lower the throttle until the helicopter lands.

When the helicopter is in stunt mode:

- The rotor head speed is constant.
- The main rotor will increase negative pitch as the throttle/collective stick is moved from the middle stick position to the low stick position. Negative pitch allows the helicopter to fly upside down and perform aerobatics.

Change between normal and stunt modes in a hover with the throttle near the hovering stick position.

WARNING: Do not use wooden main blades with the Blade Eclipse 360 or injury and/or property damage could occur. Only use Blade Eclipse 360 replacement main blades.

Removing the Mechanics From the Fuselage

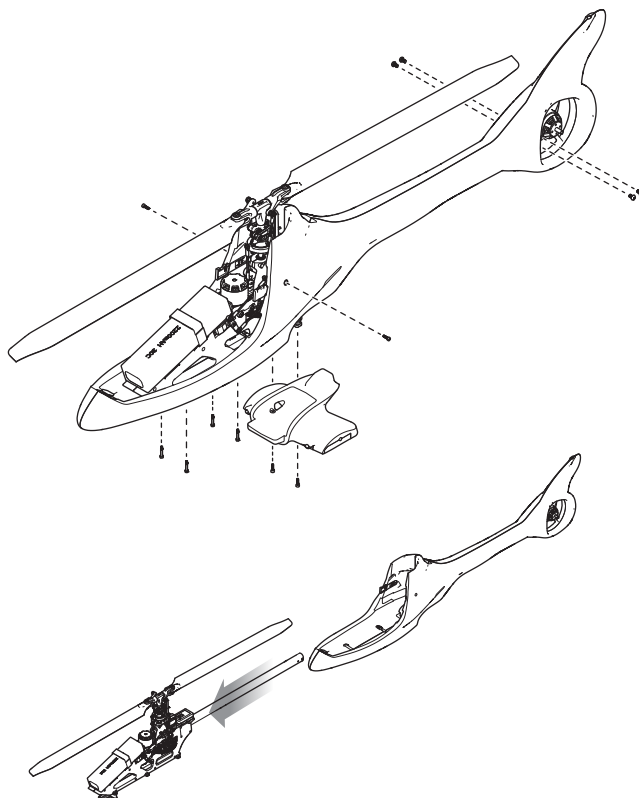
To remove the mechanics from the fuselage:

1. Remove the four tail motor mount screws.
2. Remove the two screws on the side of the fuselage and the six screws from the bottom of the fuselage.
3. Remove the lower hatch from the fuselage.
4. Unplug lights from wiring harness.

5. Partially remove the mechanics with tail boom from the fuselage.
6. Remove tail motor assembly from the fuselage
7. Disconnect the tail motor.
8. Complete removal of the mechanics and tail boom from the fuselage.

To reinstall the fuselage:

Repeat in reverse order.



Post-Flight Inspections and Maintenance

Ball Links	Make sure the plastic ball link holds the control ball, but is not tight (binding) on the ball. When a link is too loose on the ball, it can separate from the ball during flight and cause a crash. Replace worn ball links before they fail.
Cleaning	Make sure the battery is not connected before cleaning. Remove dust and debris with a soft brush or a dry lint free cloth.
Bearings	Replace bearings when they become damaged.
Wiring	Make sure wiring does not block moving parts. Replace damaged wiring and loose connectors.
Fasteners	Make sure there are no loose screws, other fasteners or connectors. Do not over tighten metal screws in plastic parts. Tighten screw so parts are mated together, then turn screw only 1/8th of a turn more.
Rotors	Make sure there is no damage to rotor blades and other parts which move at high speed. Damage to these parts includes cracks, burrs, chips or scratches. Replace damaged parts before flying.
Flight Controller	Make sure the flight controller is securely attached to the frame. Replace the double-sided tape when necessary. The helicopter will crash if the flight controller separates from the helicopter frame.

Advanced Tuning (Forward Programming)

The following applies to forward programming capable Spektrum transmitters. Consult your transmitter manual or visit SpektrumRC.com for a complete list of forward programming capable transmitters.

The Blade Eclipse 360 default settings are appropriate for most users. We recommend flying with the default parameters before making any adjustments.

The Blade Eclipse 360 BNF flight controller may be programmed from any compatible Spektrum transmitter (visit SpektrumRC.com for more information).

The flight controller shipped with BNF models is specifically configured for the Blade Eclipse 360 Helicopter utilizing the supplied electronic components and is not intended for use in other aircraft.

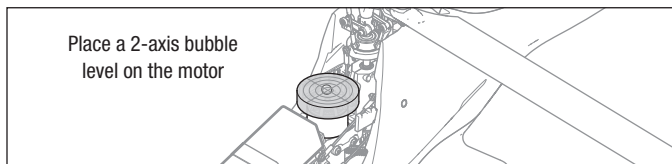
Entering the Advanced Parameters Menu

With the helicopter bound to the transmitter and powered on, enter the Function List and select Forward Programming. Make small changes to one parameter at a time and test fly the changes before changing the parameter further or changing a different parameter. If at anytime you want to restore the default value for a parameter simply press the [RESET] button on IX radios screen or the [Clear] button on DX and NX transmitters and the default value for that parameter will be restored to the recommended value for your specific BNF model.

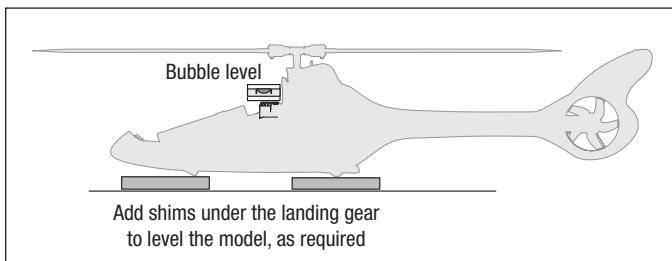
Calibration Procedure

If the helicopter is experiencing drift issues, perform the following calibration. The calibration procedure may also be needed following crash repairs.

1. Ensure the surface used for calibration is level.
2. Power on the transmitter and activate throttle hold.
3. Connect the flight batter to the ESC and allowing the model to initialize.
4. Turn Throttle Hold ON.
5. Use a small 2 axis bubble level on the motor as shown below.



6. Level the helicopter by placing a shim under the landing skid if necessary.



7. Enter the Function List on your transmitter.
8. Select Forward Programming.
9. Select System Setup.
10. Select Calibration.
11. Select Apply and the calibration will begin. The LED will flash yellow indicating the calibration is proceeding normally. If the LED changes to red this indicates the model is not near level or the model was moved, in this case the calibration starts over.
12. After the calibration is successfully completed, the receiver LED will change to a slow cyan flash which indicates the calibration has completed.
13. Exit forward programming and proceed to the pre-flight check list procedure before flying your model.

Factory Reset

If the process of changing parameters on the the Blade Eclipse 360 helicopter results in undesirable flight performance, you can reset the settings back to factory defaults by selecting the Factory Reset option in Forward Programming.

1. Enter the Function List
2. Select Forward Programming
3. Select System Setup
4. Select Factory Reset
5. Select Apply
6. Perform the Setup->Swashplate->Sub Trim function and ensure the servos are properly trimmed.
7. Proceed with the pre-flight check list procedure before flying the model.

Trim Flight

Perform this procedure if the model is not performing well or has been recently rebuilt from a crash.

The trim flight procedure was performed during the factory test flight and only needs to be performed if you notice the model is not returning to level consistently or if the model does not remain still during stationary pirouettes.

The trim flight is used to determine the optimal settings for SAFE® technology during flight.

The trim flight must be performed in calm conditions.

Entering Trim Flight Mode

1. Lower the throttle stick to the lowest position.
2. Center all trims.
3. Power ON the transmitter.
4. Install the flight battery in the helicopter.
5. Connect the battery connector to the ESC.
6. Place the helicopter on a flat surface and leave it still until the motor beeps twice and the blue ESC LED glows solid, indicating initialization is complete.
7. Place the helicopter where you are going to take off.

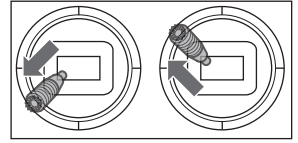
Performing the Trim Flight

1. Slowly increase the throttle to lift the model into a stationary hover. Make corrections as necessary to keep the model still. Evaluation does not begin until the throttle stick is over 50% and the sticks are centered. Making corrections will not affect the result but a longer flight may be necessary.
2. Keep the model stationary in a hover for 120 seconds. Sliding and slow movements are okay. The main goal is to keep the rotor disk level.
3. Once you are satisfied with the trim flight, land the model.

Exiting Trim Flight Mode

1. After landing, lower the throttle stick to the lowest position.
2. Activate Panic Recovery for 2 seconds, or until the swashplate moves, indicating the servo positions and attitude values have been recorded and trim flight mode has been exited.

8. Move and hold the left stick to the bottom left corner and the right stick to the top left corner as shown.



9. Activate Panic Recovery until the swashplate rotates around once.
10. Release the sticks and deactivate panic recovery.
11. The model is ready for the trim flight.

Flight Test

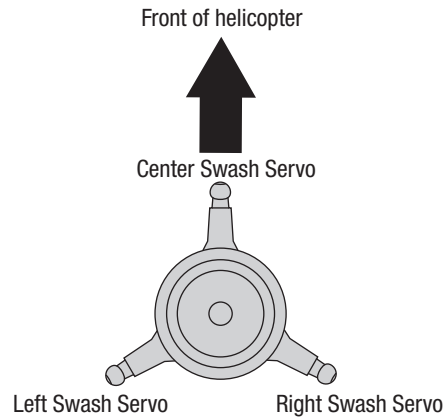
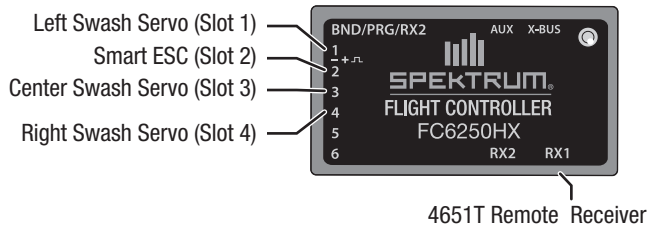
After performing the trim flight, test-fly the model to evaluate the leveling characteristics.

- The model should return to level flight consistently.
- During takeoff, the model should lift off with minimal corrections.
- During a hover, the control stick should remain close to center. Small corrections are acceptable.

If the model performs poorly or does not level properly after the trim flight, retry the entire trim flight procedure. If the problem persists, inspect the model for damaged components, a bent shaft or anything that may result in increased vibration. The trim flight may not record the correct values due to excessive vibration, flying in wind or the model not staying level. In these cases, shorter trim flights may be necessary. If you are still experiencing problems after several attempts please perform the calibration procedure and try the trim flight procedure again.

FC6250HX Slot Assignments

Use the following diagram if you need to replace any of the servos.



Troubleshooting Guide

Problem	Possible Cause	Solution
Helicopter will not bind to the transmitter (during binding)	Low flight battery or transmitter battery voltage	Fully charge or replace the flight battery and/or transmitter batteries
	receiver is not in bind mode	Make sure the bind plug is connected to the receiver BND/DAT port
	Transmitter is not in bind mode	Power on the transmitter while holding the Trainer/Bind switch. Hold the Trainer/Bind switch until binding is complete
	Transmitter too close to the helicopter during binding process	Power off the transmitter. Move the transmitter further away from the helicopter. Disconnect and reconnect the flight battery to the helicopter and follow binding instructions
Helicopter will not link to the transmitter (after binding)	Helicopter is bound to a different model memory (ModelMatch™ radios only)	Disconnect the flight battery. Select the correct model memory on the transmitter. Reconnect the flight battery
	Flight battery/Transmitter battery charge is too low	Replace or recharge batteries
SPMFC6250HX will not initialize	The transmitter is powered off	Power on the transmitter
	Controls are not centered	Center elevator, aileron and rudder controls. Make sure the throttle is at idle
Helicopter will not respond to the throttle but responds to other controls	Throttle not at idle and/or throttle trim is too high	Lower the throttle stick and lower the throttle trim
	The transmitter is not in normal mode or throttle hold is on	Make sure the transmitter is in normal mode and throttle hold is off
	The motor is not connected to the ESC or the motor wires are damaged	Connect the motor wires to the ESC and check motor wires for damage
	Flight battery charge is too low	Replace or recharge flight battery
	Throttle channel is reversed	Reverse the throttle channel on the transmitter
Helicopter power is lacking	Flight battery has low voltage	Fully charge the flight battery
	Flight battery is old or damaged	Replace the flight battery
	Flight battery cells are unbalanced	Fully charge the flight battery, allowing the charger time to balance the cells
	Excessive current is being drawn through the BEC	Check all servos and the helicopter motor for damage
Helicopter will not lift off	Main rotor head is not spinning in the correct direction	Make sure the main rotor head is spinning clockwise. Refer to the motor control test
	Transmitter settings are not correct	Check throttle and pitch curve settings and pitch control direction
	Flight battery has low voltage	Fully charge the flight battery
	Main rotor blades are installed backwards	Install the main rotor blades with the thicker side as the leading edge
The helicopter tail spins out of control	Rudder control and/or sensor direction reversed	Make sure the rudder control and the rudder sensor are operating in the correct direction
The helicopter wobbles in flight	Cyclic gain is too high	Please review the Advanced Settings - Gain Adjustments section
	Head speed is too low	Increase the helicopter's head speed via your transmitter settings and/or using a freshly charged flight pack
	Dampers are worn	Replace the main rotor head dampers

Limited Warranty

What this Warranty Covers—Horizon Hobby, LLC, (Horizon) warrants to the original purchaser that the product purchased (the "Product") will be free from defects in materials and workmanship at the date of purchase.

What is Not Covered—This warranty is not transferable and does not cover (i) cosmetic damage, (ii) damage due to acts of God, accident, misuse, abuse, negligence, commercial use, or due to improper use, installation, operation or maintenance, (iii) modification of or to any part of the Product, (iv) attempted service by anyone other than a Horizon Hobby authorized service center, (v) Product not purchased from an authorized Horizon dealer, (vi) Product not compliant with applicable technical regulations, or (vii) use that violates any applicable laws, rules, or regulations.

OTHER THAN THE EXPRESS WARRANTY ABOVE, HORIZON MAKES NO OTHER WARRANTY OR REPRESENTATION, AND HEREBY DISCLAIMS ANY AND ALL IMPLIED WARRANTIES, INCLUDING, WITHOUT LIMITATION, THE IMPLIED WARRANTIES OF NON-INFRINGEMENT, MERCHANTABILITY AND FITNESS FOR A PARTICULAR PURPOSE. THE PURCHASER ACKNOWLEDGES THAT THEY ALONE HAVE DETERMINED THAT THE PRODUCT WILL SUITABLY MEET THE REQUIREMENTS OF THE PURCHASER'S INTENDED USE.

Purchaser's Remedy—Horizon's sole obligation and purchaser's sole and exclusive remedy shall be that Horizon will, at its option, either (i) service, or (ii) replace, any Product determined by Horizon to be defective. Horizon reserves the right to inspect any and all Product(s) involved in a warranty claim. Service or replacement decisions are at the sole discretion of Horizon. Proof of purchase is required for all warranty claims. SERVICE OR REPLACEMENT AS PROVIDED UNDER THIS WARRANTY IS THE PURCHASER'S SOLE AND EXCLUSIVE REMEDY.

Limitation of Liability—HORIZON SHALL NOT BE LIABLE FOR SPECIAL, INDIRECT, INCIDENTAL OR CONSEQUENTIAL DAMAGES, LOSS OF PROFITS OR PRODUCTION OR COMMERCIAL LOSS IN ANY WAY, REGARDLESS OF WHETHER SUCH CLAIM IS BASED IN CONTRACT, WARRANTY, TORT, NEGLIGENCE, STRICT LIABILITY OR ANY OTHER THEORY OF LIABILITY, EVEN IF HORIZON HAS BEEN ADVISED OF THE POSSIBILITY OF SUCH DAMAGES. Further, in no event shall the liability of Horizon exceed the individual price of the Product on which liability is asserted. As Horizon has no control over use, setup, final assembly, modification or misuse, no liability shall be assumed nor accepted for any resulting damage or injury. By the act of use, setup or assembly, the user accepts all resulting liability. If you as the purchaser or user are not prepared to accept the liability associated with the use of the Product, purchaser is advised to return the Product immediately in new and unused condition to the place of purchase.

Law—These terms are governed by Illinois law (without regard to conflict of law principals). This warranty gives you specific legal rights, and you may also have other rights which vary from state to state. Horizon reserves the right to change or modify this warranty at any time without notice.

WARRANTY SERVICES

Questions, Assistance, and Services—Your local hobby store and/or place of purchase cannot provide warranty support or service. Once assembly, setup or use of the Product has been started, you must contact your local distributor or Horizon directly. This will enable Horizon to better answer your questions and service you in the event that you may need any assistance. For questions or assistance, please visit our website at www.horizonhobby.com, submit a Product Support Inquiry, or call the

toll free telephone number referenced in the Warranty and Service Contact Information section to speak with a Product Support representative.

Inspection or Services—If this Product needs to be inspected or serviced and is compliant in the country you live and use the Product in, please use the Horizon Online Service Request submission process found on our website or call Horizon to obtain a Return Merchandise Authorization (RMA) number. Pack the Product securely using a shipping carton. Please note that original boxes may be included, but are not designed to withstand the rigors of shipping without additional protection. Ship via a carrier that provides tracking and insurance for lost or damaged parcels, as Horizon is not responsible for merchandise until it arrives and is accepted at our facility. An Online Service Request is available at http://www.horizonhobby.com/content/service-center_render-service-center. If you do not have internet access, please contact Horizon Product Support to obtain a RMA number along with instructions for submitting your product for service. When calling Horizon, you will be asked to provide your complete name, street address, email address and phone number where you can be reached during business hours. When sending product into Horizon, please include your RMA number, a list of the included items, and a brief summary of the problem. A copy of your original sales receipt must be included for warranty consideration. Be sure your name, address, and RMA number are clearly written on the outside of the shipping carton.

NOTICE: Do not ship LiPo batteries to Horizon. If you have any issue with a LiPo battery, please contact the appropriate Horizon Product Support office.

Warranty Requirements—For Warranty consideration, you must include your original sales receipt verifying the proof-of-purchase date. Provided warranty conditions have been met, your Product will be serviced or replaced free of charge. Service or replacement decisions are at the sole discretion of Horizon.

Non-Warranty Service—Should your service not be covered by warranty, service will be completed and payment will be required without notification or estimate of the expense unless the expense exceeds 50% of the retail purchase cost. By submitting the item for service you are agreeing to payment of the service without notification. Service estimates are available upon request. You must include this request with your item submitted for service. Non-warranty service estimates will be billed a minimum of ½ hour of labor. In addition you will be billed for return freight. Horizon accepts money orders and cashier's checks, as well as Visa, MasterCard, American Express, and Discover cards. By submitting any item to Horizon for service, you are agreeing to Horizon's Terms and Conditions found on our website http://www.horizonhobby.com/content/service-center_render-service-center.

ATTENTION: Horizon service is limited to Product compliant in the country of use and ownership. If received, a non-compliant Product will not be serviced. Further, the sender will be responsible for arranging return shipment of the un-serviced Product, through a carrier of the sender's choice and at the sender's expense. Horizon will hold non-compliant Product for a period of 60 days from notification, after which it will be discarded.

10/15

Warranty and Service Contact Information

Country of Purchase	Horizon Hobby	Contact Information	Address
United States of America	Horizon Service Center (Repairs and Repair Requests)	servicecenter.horizonhobby.com/RequestForm/	2904 Reasearch Rd Champaign, Illinois, 61822 USA
	Horizon Product Support (Product Technical Assistance)	productsupport@horizonhobby.com 800-338-4639	
	Sales	websales@horizonhobby.com 800-338-4639	
European Union	Horizon Technischer Service Sales: Horizon Hobby GmbH	service@horizonhobby.de +49 (0) 4121 2655 100	Hanskampring 9 D 22885 Barsbüttel, Germany

*For the most up-to-date customer service contact information, please visit: www.horizonhobby.com/content/service-center-render-service-center

Important Federal Aviation Administration (FAA) Information

Use the QR code below to learn more about the Recreational UAS Safety Test (TRUST), as was introduced by the 2018 FAA Reauthorization Bill. This free test is required by the FAA for all recreational flyers in the United States. The completed certificate must be presented upon request by any FAA or law enforcement official.



If your model aircraft weights more than .55lbs or 250 grams, you are required by the FAA to register as a recreational flyer and apply your registration number to the outside of your aircraft. To learn more about registering with the FAA, use the QR code below.



FCC and Canada Compliance Information

FC FCC ID: BRWQSTLMRX2

This equipment complies with FCC and IC radiation exposure limits set forth for an uncontrolled environment. This equipment should be installed and operated with minimum distance 20cm between the radiator and/or antenna and your body (excluding fingers, hands, wrists, ankles and feet). This transmitter must not be co-located or operating in conjunction with any other antenna or transmitter.

Supplier's Declaration of Conformity

This device complies with part 15 of the FCC Rules. Operation is subject to the following two conditions: (1) This device may not cause harmful interference, and (2) this device must accept any interference received, including interference that may cause undesired operation.

CAUTION: Changes or modifications not expressly approved by the party responsible for compliance could void the user's authority to operate the equipment.

NOTE: This equipment has been tested and found to comply with the limits for a Class B digital device, pursuant to part 15 of the FCC Rules. These limits are designed to provide reasonable protection against harmful interference in a residential installation. This equipment generates, uses and can radiate radio frequency energy and, if not installed and used in accordance with the instructions, may cause harmful interference to radio communications. However, there is no guarantee that interference will not occur in a particular installation. If this equipment does cause harmful interference to radio or television reception, which can be determined by turning the equipment off and on, the user is encouraged to try

to correct the interference by one or more of the following measures:

- Reorient or relocate the receiving antenna.
- Increase the separation between the equipment and receiver.
- Connect the equipment into an outlet on a circuit different from that to which the receiver is connected.
- Consult the dealer or an experienced radio/TV technician for help.

Horizon Hobby, LLC
2904 Research Rd., Champaign, IL 61822
Email: compliance@horizonhobby.com
Web: HorizonHobby.com

IC Information

CAN ICES-3 (B)/NMB-3(B)
Contains IC: 6157A-KATY1T
IC: 6157A-QSTMXX2

This device contains license-exempt transmitter(s)/receivers(s) that comply with Innovation, Science, and Economic Development Canada's license-exempt RSS(s). Operation is subject to the following 2 conditions:

1. This device may not cause interference.
2. This device must accept any interference, including interference that may cause undesired operation of the device.

Compliance Information for the European Union

CE EU Compliance Statement:

Blade Eclipse 360 BNF Basic (BLH01250) Hereby, Horizon Hobby, LLC declares that the device is in compliance with the following: EU Radio Equipment Directive 2014/53/EU; RoHS 2 Directive 2011/65/EU; RoHS 3 Directive - Amending 2011/65/EU Annex II 2015/863.

The full text of the EU declaration of conformity is available at the following internet address: <https://www.horizonhobby.com/content/support-render-compliance>.

NOTE: This product contains batteries that are covered under the 2006/66/EC European Directive, which cannot be disposed of with normal household waste. Please follow local regulations.

Wireless Frequency Range and Wireless Output Power:

Receiver:
2402.0-2478.0MHz
18.87dBm

EU Manufacturer of Record:

Horizon Hobby, LLC
2904 Research Road
Champaign, IL 61822 USA

EU Importer of Record:

Horizon Hobby, GmbH
Hanskampring 9
22885 Barsbüttel Germany

WEEE NOTICE:



This appliance is labeled in accordance with European Directive 2012/19/EU concerning waste of electrical and electronic equipment (WEEE). This label indicates that this product should not be disposed of with household waste. It should be deposited at an appropriate facility to enable recovery and recycling.



HINWEIS

Alle Anweisungen, Garantien und anderen zugehörigen Dokumente können im eigenen Ermessen von Horizon Hobby, LLC jederzeit geändert werden. Die aktuelle Produktliteratur finden Sie auf horizonhobby.com oder www.towerhobbies.com im Support-Abschnitt für das Produkt.

Spezielle Bedeutungen

Die folgenden Begriffe werden in der gesamten Produktliteratur verwendet, um auf unterschiedlich hohe Gefahrenrisiken beim Betrieb dieses Produkts hinzuweisen:

WARNUNG: Wenn diese Verfahren nicht korrekt befolgt werden, ergeben sich wahrscheinlich Sachschäden, Kollateralschäden und schwere Verletzungen ODER mit hoher Wahrscheinlichkeit oberflächliche Verletzungen.

ACHTUNG: Wenn diese Verfahren nicht korrekt befolgt werden, ergeben sich wahrscheinlich Sachschäden UND die Gefahr von schweren Verletzungen.

HINWEIS: Wenn diese Verfahren nicht korrekt befolgt werden, können sich möglicherweise Sachschäden UND geringe oder keine Gefahr von Verletzungen ergeben.



WARNUNG: Lesen Sie die GESAMTE Bedienungsanleitung, um sich vor dem Betrieb mit den Produktfunktionen vertraut zu machen. Wird das Produkt nicht korrekt betrieben, kann dies zu Schäden am Produkt oder persönlichem Eigentum führen oder schwere Verletzungen verursachen.

Dies ist ein hochentwickeltes Hobby-Produkt. Es muss mit Vorsicht und gesundem Menschenverstand betrieben werden und benötigt gewisse mechanische Grundfähigkeiten. Wird dieses Produkt nicht auf eine sichere und verantwortungsvolle Weise betrieben, kann dies zu Verletzungen oder Schäden am Produkt oder anderen Sachwerten führen. Dieses Produkt eignet sich nicht für die Verwendung durch Kinder ohne direkte Überwachung eines Erwachsenen. Versuchen Sie nicht ohne Genehmigung durch Horizon Hobby, LLC, das Produkt zu zerlegen, es mit inkompatiblen Komponenten zu verwenden oder auf jegliche Weise zu erweitern. Diese Bedienungsanleitung enthält Anweisungen für Sicherheit, Betrieb und Wartung. Es ist unbedingt notwendig, vor Zusammenbau, Einrichtung oder Verwendung alle Anweisungen und Warnhinweise im Handbuch zu lesen und zu befolgen, damit es bestimmungsgemäß betrieben werden kann und Schäden oder schwere Verletzungen vermieden werden.

Nicht geeignet für Kinder unter 14 Jahren. Dies ist kein Spielzeug.

Sicherheitsvorkehrungen und Warnhinweise

- Halten Sie stets in allen Richtungen einen Sicherheitsabstand um Ihr Modell, um Zusammenstöße oder Verletzungen zu vermeiden. Dieses Modell wird von einem Funksignal gesteuert, das Interferenzen von vielen Quellen außerhalb Ihres Einflussbereiches unterliegt. Diese Interferenzen können einen augenblicklichen Steuerungsverlust verursachen.
- Betreiben Sie Ihr Modell immer auf einer Freifläche ohne Fahrzeuge in voller Größe, Verkehr oder Menschen.
- Befolgen Sie stets sorgfältig die Anweisungen und Warnhinweise für das Modell und jegliche optionalen Hilfsgeräte (Ladegeräte, Akkupacks usw.).
- Bewahren Sie alle Chemikalien, Klein- und Elektroteile stets außerhalb der Reichweite von Kindern auf.
- Setzen Sie Geräte, die für diesen Zweck nicht speziell ausgelegt und geschützt sind, niemals Wasser aus. Feuchtigkeit kann die Elektronik beschädigen.
- Immer Gas geben, bevor Sie sich dem Flugzeug nähern.
- Stecken Sie keinen Teil des Modells in den Mund, da dies zu schweren Verletzungen oder sogar zum Tod führen kann.
- Betreiben Sie Ihr Modell nie mit fast leeren Senderakkus.
- Halten Sie das Fluggerät immer in Sicht und unter Kontrolle.
- Gehen Sie sofort auf Motor Aus bei Rotorberührung.
- Verwenden Sie immer vollständig geladene Akkus.
- Lassen Sie immer den Sender eingeschaltet wenn das Fluggerät eingeschaltet ist.
- Nehmen Sie vor der Demontage des Fluggerätes die Akkus heraus.
- Halten Sie bewegliche Teile immer sauber.
- Halten Sie die Teile immer trocken.
- Lassen Sie Teile immer erst abkühlen bevor Sie sie anfassen.
- Nehmen Sie die Akkus/Batterien nach Gebrauch heraus.
- Betreiben Sie Ihr Fluggerät niemals mit beschädigter Verkabelung.
- Fassen Sie niemals bewegte Teile an.



WARNUNG GEGEN GEFÄLSCHTE PRODUKTE: Sollten Sie jemals eine Spektrum Komponente ersetzen wollen, kaufen Sie die benötigten Ersatzteile immer bei Horizon Hobby oder einem von Horizon hobby autorisiertem Händler um die hohe Qualität des Produktes zu gewährleisten. Horizon Hobby LLC lehnt jedwede Haftung, Garantie oder Unterstützung sowie Kompatibilitäts- oder Leistungsansprüche zu DSM oder Spektrum in Zusammenhang mit gefälschten Produkten ab.

Inhaltsverzeichnis

Konfiguration von Sendern der NX- oder DX-Serie	18	Kontrollen nach dem Flug und Wartung.....	25
Konfiguration von Sendern der iX-Serie	19	Erweitertes Tuning (Forward Programming/Vorwärtsprogrammierung)	25
Installieren des Flugakkus	20	Trimmflug.....	26
Smart Throttle	21	Leitfaden zur Fehlerbehebung.....	27
Gas halten (Throttle Hold)	21	Garantie und Service Informationen	28
Kontrolltests	22	Garantie und Service Kontaktinformationen	29
Niederspannungsabschaltung (LVC).....	23	Konformitätshinweise für die Europäische Union.....	29
Einführung in die Hauptsteuerfunktionen	23	Explosionszeichnung	56
Checkliste für den Flug	24	Ersatzteile	58
Fliegen des Hubschraubers Blade Eclipse 360	24	Optionale Bauteile	59
Die Technik vom Rumpf entfernen.	24	Empfohlene Komponenten	59

Spezifikationen

Länge	767mm	Heckrotordurchmesser	120mm
Höhe	193mm	Fluggewicht	935 g
Hauptrotordurchmesser	767mm		

Komponenten

Komponenten		BNF – Basic (BLH01250)
Flugwerk	Blade Eclipse 360	Im Lieferumfang enthalten
Hauptmotor	Hauptmotor Eclipse 360, (BLH01247)	Montiert
Heckmotor	Heckmotor: Eclipse 360 (BLH01248)	Montiert
Empfänger	Serieller Telemetrie-Funkempfänger SRXL2 DSMX	Montiert
Flugregler	Hubschrauber-Flugsteuerung FC6250HX ohne Paddelstange (SPMFC6250HX)	Montiert
ESC	Doppel-ESC 30A 15A: Eclipse 360 (SPMXAHE3015)	Montiert
Taumelscheibenservos	Micro-Heli-Steuerservo Spektrum H3050, mittleres Drehmoment, Ultra-Speed	Montiert

Erforderliches Zubehör

Sender	DSM2®/DSMX®-kompatibler Sender
Flug-Akku	LiPo-Akku 30C Smart, 3S, 11,1 V, 2200 – 3200 mAh (oder höher) mit IC3® (wir empfehlen SPMX22003S30)
Akkuladegerät	Kompatibel mit 3S LiPo-Akku (wir empfehlen SPMXC2050)

Optionales Zubehör

RFL1205	RC-Flugsimulator RealFlight Trainer Edition
SPMWS2000	USB-Dongle SPMWS2000 für drahtlosen Simulator
SPMXPSA200	Smart G2 Powerstage: 3S 2200mAh

Anleitung zur Fertigstellung

Scannen Sie den QR-Code, um zur Produktübersicht zu gelangen. Dort finden Sie Informationen über das empfohlene Powerstage-Paket sowie andere kompatible Akkus und Ladegeräte.



Vorbereitung für den Erstflug

- Entnehmen und überprüfen Sie die Komponenten
- Laden Sie den Flugakku
- Programmieren Sie Ihren Sender
- Setzen Sie den Akku ein wenn er vollständig geladen ist
- Binden von Sender
- Programmieren Sie Smart-Telemetrie-Optionen in Ihren Sender
- Machen Sie sich mit den Kontrollen vertraut
- Finden Sie eine geeignete Fläche zum fliegen

Checkliste zum Fliegen

- Schalten Sie immer den Sender zuerst ein
- Stecken Sie den Flugakku an den Anschluß der ESC
- Lassen Sie der ESC Kontrolleinheit Zeit zum initialisieren und armieren
- Fliegen Sie das Modell
- Landen Sie das Modell
- Stecken Sie den Flugakku von der ESC
- Schalten Sie immer den Sender als letztes aus

Konfiguration von Sendern der NX- oder DX-Serie

1. Schalten Sie Ihren Sender EIN, klicken Sie das Scrollrad an, gehen Sie zu Systemkonfiguration und klicken Sie das Scrollrad an. Wählen Sie Ja.

2. Gehen Sie auf „Modellauswahl“ und wählen Sie „Neues Modell hinzufügen“ ganz unten in der Liste. Das System fragt, ob Sie ein neues Modell erstellen möchten. Wählen Sie „Erstellen“.

3. Modelltyp einstellen: Wählen Sie den Hubschraubermodelltyp durch Auswählen des Hubschraubers. Das System bittet Sie, den Modelltyp zu bestätigen. Die Daten werden zurückgesetzt. YES (Kurve) auswählen

4. Scrollen Sie nach unten und wählen Sie „Modellname“: Geben Sie einen Namen für Ihre Modelldatei ein

5. Scrollen Sie nach oben zu BACK und drücken Sie das Scrollrad, um in die Systemkonfiguration zurückzukehren

6. Scrollen Sie nach unten und wählen Sie das F-Modus-Setup
Stellen Sie ein:
Schalter 1: Schalter B
Halteschalter: Schalter H

7. Scrollen Sie nach oben zu LIST und drücken Sie das Scrollrad, um in die Systemkonfiguration zurückzukehren

8. Scrollen Sie nach unten und wählen Sie Channel Assign (Kanal zuweisen) aus. Scrollen Sie auf dem Bildschirm Channel Input Config (Kanaleingabekombi) nach unten und stellen Sie den Getriebekanal 5 auf „F-Modus“ ein

9. Scrollen Sie nach oben zu LIST und drücken Sie das Scrollrad, um in die Systemkonfiguration zurückzukehren

10. Wählen Sie „Hauptbildschirm“. Klicken Sie mit dem Scrollrad, um zur Funktionsliste zu gelangen

11. Blättern Sie nach unten zu „Umdrehungen“ und „Expo“ und drücken Sie das Scrollrad
Blättern Sie nach unten zu „Kanal“ und wählen Sie „Querruder“ aus.
Schalter einstellen: Schalter F
Schalter F in Position 0 bewegen
Hohe Geschwindigkeit einstellen: 100%/100%, Expo 25%/25%
Schalter F in Position 1 bewegen
Hohe Geschwindigkeit einstellen: 100%/100%, Expo 25%/25%
Schalter F in Position 2 bewegen
Geringe Geschwindigkeit einstellen: 75%/75%, Expo 25%/25%

12. Scrollen Sie nach oben zu „Kanal“ und wählen Sie „Höhenruder“
Schalter einstellen: Schalter F
Schalter C in Position 0 bewegen
Hohe Geschwindigkeit einstellen: 100%/100%, Expo 25%/25%
Schalter C Position 1 bewegen
Hohe Geschwindigkeit einstellen: 100%/100%, Expo 25%/25%
Schalter C Position 2 bewegen
Geringe Geschwindigkeit einstellen: 75%/75%, Expo 25%/25%

13. Scrollen Sie nach oben zu „Kanal“ und wählen Sie „Seitenruder“
Schalter einstellen: Schalter F
Schalter C in Position 0 bewegen
Hohe Geschwindigkeit einstellen: 100%/100%, Expo 45%/45%
Schalter C Position 1 bewegen
Hohe Geschwindigkeit einstellen: 100%/100%, Expo 45%/45%
Schalter C Position 2 bewegen
Geringe Geschwindigkeit einstellen: 75%/75%, Expo 45%/45%

14. Scrollen Sie nach oben zu LIST und drücken Sie das Scrollrad, um in die Funktionsliste zurückzukehren

15. Scrollen Sie nach unten zu Throttle Curve (Gaskurve) und drücken Sie das Scrollrad
Scrollen Sie zum Feld N für die Kurvenauswahl und drücken Sie das Scrollrad, um die normale Kurve auszuwählen
Stellen Sie die Kurvenwerte folgendermaßen ein:

1	2	3	4	5
0	50	63	75	90

16. Scrollen Sie zu Feld #1 für die Kurvenauswahl und drücken Sie das Scrollrad, um die Kurve „Stunt #1“ auszuwählen
Stellen Sie die Kurvenwerte folgendermaßen ein:

1	2	3	4	5
90	90	90	90	90

17. Scrollen Sie zu Feld #2 für die Kurvenauswahl und drücken Sie das Scrollrad, um die Kurve „Stunt #2“ auszuwählen
Stellen Sie die Kurvenwerte folgendermaßen ein:

1	2	3	4	5
100	100	100	100	100

18. Scrollen Sie zum Feld H für die Kurvenauswahl und drücken Sie das Scrollrad, um die Haltekurve auszuwählen
Stellen Sie die Kurvenwerte folgendermaßen ein:

1	2	3	4	5
0	0	0	0	0

19. Scrollen Sie nach oben zu LIST und drücken Sie das Scrollrad, um in die Funktionsliste zurückzukehren

20. Scrollen Sie nach unten zu Pitchkurve und drücken Sie das Scrollrad
Scrollen Sie zum Feld N für die Kurvenauswahl und drücken Sie das Scrollrad, um die normale Kurve auszuwählen
Stellen Sie die Kurvenwerte folgendermaßen ein:

1	2	3	4	5
30	40	50	75	100

21. Scrollen Sie zu Feld #1 für die Kurvenauswahl und drücken Sie das Scrollrad, um die Kurve „Stunt #1“ auszuwählen
Stellen Sie die Kurvenwerte folgendermaßen ein:

1	2	3	4	5
0	25	50	75	100

22. Scrollen Sie zu Feld #2 für die Kurvenauswahl und drücken Sie das Scrollrad, um die Kurve „Stunt #2“ auszuwählen
Stellen Sie die Kurvenwerte folgendermaßen ein:

1	2	3	4	5
0	25	50	75	100

23. Scrollen Sie zum Feld H für die Kurvenauswahl und drücken Sie das Scrollrad, um die Haltekurve auszuwählen
Stellen Sie die Kurvenwerte folgendermaßen ein:

1	2	3	4	5
30	40	50	75	100

24. Scrollen Sie nach oben zu LIST und drücken Sie das Scrollrad, um in die Funktionsliste zurückzukehren

25. Scrollen Sie nach unten zu „Mischung“ und drücken Sie das Scrollrad
Wählen Sie Mischung 1, wählen Sie Normal
Wählen Sie den ersten INH (als Master) und wählen Sie den Schalter I
Wählen Sie den zweiten INH (als Slave) und wählen Sie den Getriebekanal
Setzen Sie den ersten Geschwindigkeitswert auf 0% den zweiten auf -125%
Setzen Sie den Versatz auf 100
Stellen Sie den Schalter auf die Taste I

26. Scrollen Sie nach oben zu LIST und drücken Sie das Scrollrad, um in die Funktionsliste zurückzukehren

27. Scrollen Sie nach unten zu „Timer“ und drücken Sie das Scrollrad
Einstellen auf;
Modus: Countdown
Zeit: 5:00
Start: Gas aus
Über: 25%
Einmalig: Sperren

28. Scrollen Sie nach oben zu LIST und drücken Sie das Scrollrad, um in die Funktionsliste zurückzukehren

29. Scrollen Sie nach oben zum <Hauptbildschirm> und drücken Sie das Scrollrad.

Informationen zur Telemetrie-Einrichtung finden Sie im Abschnitt „Smart Throttle“

Konfiguration von Sendern der iX-Serie

1. Schalten Sie Ihren Sender EIN und beginnen Sie, sobald die App Spektrum AirWare geöffnet ist.
Wählen Sie das orangene Stiftsymbol oben links auf dem Bildschirm. Das System erfragt eine Erlaubnis zum „Ausschalten HF“, wählen Sie „FORTFAHREN“
2. Wählen Sie die drei Punkte in der oberen rechten Ecke des Bildschirms und wählen Sie „Neues Modell hinzufügen“.
3. Gehen Sie auf Modelloption, wählen Sie STANDARDMÄSSIG, wählen Sie „Hubschrauber“.
Das System fragt, ob Sie ein neues Hubschraubermodell erstellen möchten. Wählen Sie „Erstellen“
4. Wählen Sie das letzte Modell in der Liste aus. Es heißt „Heli“.
Klicken Sie das Wort Acro an und geben Sie der Datei einen neuen Namen Ihrer Wahl.
5. Klicken Sie auf das Symbol schwarzer Zurück-Pfeil oben links auf dem Bildschirm, um zum Hauptbildschirm zurückzukehren
6. Tippen Sie auf die Schaltfläche „Model Setup [Modell-Setup]“
7. Flugmodus-Setup einstellen
Schalter 1: Schalter B
Halteschalter: Schalter H
Tippen Sie auf den Pfeil oben links, um zum Menü „Modell-Setup“ zurückzukehren
8. Kanalzuweisung einstellen
Kaneleingabekonfiguration einstellen: Getriebekanal 5 auf „Flugmodus“ einstellen
Tippen Sie auf den Pfeil oben links, um in das Menü „Modell-Setup“ zurückzukehren.
Tippen Sie auf den Pfeil oben links, um zum Hauptbildschirm zurückzukehren
9. Tippen Sie auf die Schaltfläche „Modell anpassen“
10. Tippen Sie auf „Duale Geschwindigkeiten“ und „Exponentiell“;
Tippen Sie bei „Kanal“ auf das Dropdown-Menü und wählen Sie „Querruder“ aus
Schalter einstellen: Schalter F
Schalter F in Position 0 bewegen
Hohe Geschwindigkeit einstellen: 100%/100%, Expo 25%/25%
Schalter F in Position 1 bewegen
Hohe Geschwindigkeit einstellen: 100%/100%, Expo 25%/25%
Schalter F in Position 2 bewegen
Geringe Geschwindigkeit einstellen: 75%/75%, Expo 25%/25%
11. Tippen Sie bei „Kanal“ auf das Dropdown-Menü und wählen Sie „Höhenruder“ aus

Schalter einstellen: Schalter F
Schalter C in Position 0 bewegen
Hohe Geschwindigkeit einstellen: 100%/100%, Expo 25%/25%
Schalter C Position 1 bewegen
Hohe Geschwindigkeit einstellen: 100%/100%, Expo 25%/25%
Schalter C Position 2 bewegen
Geringe Geschwindigkeit einstellen: 75%/75%, Expo 25%/25%
12. Tippen Sie bei „Kanal“ auf das Dropdown-Menü und wählen Sie „Seitenruder“ aus

Schalter einstellen: Schalter F
Schalter C in Position 0 bewegen
Hohe Geschwindigkeit einstellen: 100%/100%, Expo 45%/45%
Schalter C Position 1 bewegen
Hohe Geschwindigkeit einstellen: 100%/100%, Expo 45%/45%
Schalter C Position 2 bewegen
Geringe Geschwindigkeit einstellen: 75%/75%, Expo 45%/45%
13. Tippen Sie auf den Pfeil oben links, um zum Menü „Modell anpassen“ zurückzukehren
14. Tippen Sie auf die Gaskurve
Sicherstellen, dass sich Schalter H in Position 0 befindet
Schalter B auf Position 0 stellen, um die normale Kurve auszuwählen
Kurvenwerte einstellen auf

1	2	3	4	5
0	50	63	75	90
15. Schalter B auf Position 1 stellen um die Kurve „Stunt #1“ auszuwählen
Kurvenwerte einstellen auf

1	2	3	4	5
90	90	90	90	90
16. Schalter B auf Position 2 stellen um die Kurve „Stunt #2“ auszuwählen
Kurvenwerte einstellen auf

1	2	3	4	5
100	100	100	100	100
17. Schalter H auf Position 1 stellen um die Haltekurve auszuwählen
Kurvenwerte einstellen auf

1	2	3	4	5
0	0	0	0	0
18. Tippen Sie auf den Pfeil oben links, um zum Menü „Modell anpassen“ zurückzukehren

19. Tippen Sie auf die Pitchkurve
Sicherstellen, dass sich Schalter H in Position 0 befindet
Schalter B auf Position 0 stellen, um die normale Kurve auszuwählen
Kurvenwerte einstellen auf

1	2	3	4	5
30	40	50	75	100
20. Schalter B auf Position 1 stellen um die Kurve „Stunt #1“ auszuwählen
Kurvenwerte einstellen auf

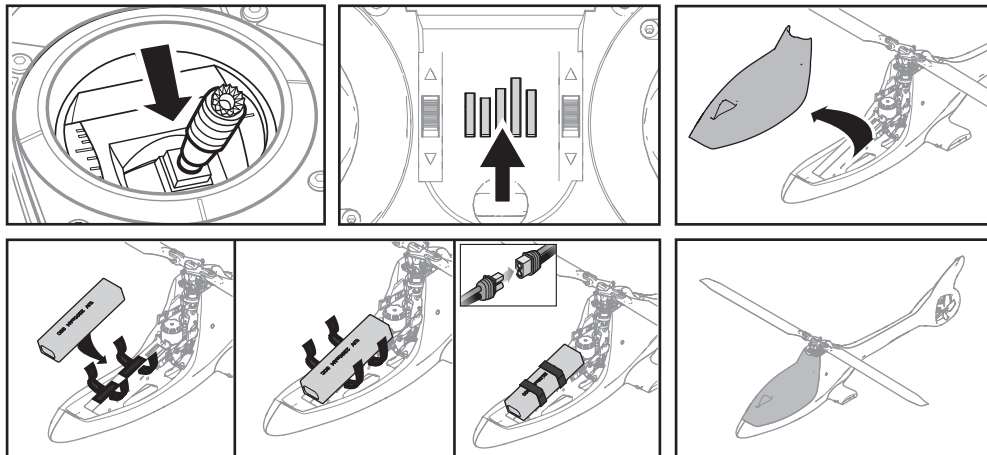
1	2	3	4	5
0	25	50	75	100
21. Schalter B auf Position 2 stellen um die Kurve „Stunt #2“ auszuwählen
Kurvenwerte einstellen auf

1	2	3	4	5
0	25	50	75	100
22. Schalter H auf Position 1 stellen um die Haltekurve auszuwählen
Kurvenwerte einstellen auf

1	2	3	4	5
30	40	50	75	100
23. Tippen Sie auf den Pfeil oben links, um zum Menü „Modell anpassen“ zurückzukehren
24. Tippen Sie auf „Mischung“
Wählen Sie P-Mischung 1, wählen Sie Normal
Wählen Sie den ersten INH (als Master) und wählen Sie den Schalter I
Wählen Sie den zweiten INH (als Slave) und wählen Sie den Getriebekanal
Setzen Sie den ersten Geschwindigkeitswert auf 0% den zweiten auf -125%
Setzen Sie den Versatz auf 100
Stellen Sie den Schalter auf die Taste I
25. Tippen Sie oben rechts auf <Zurück>, um zum Menü „Mischung“ zurückzukehren
26. Tippen Sie auf den Pfeil oben links, um zum Menü „Modell anpassen“ zurückzukehren
27. Tippen Sie auf den Pfeil oben links, um zum Hauptbildschirm zurückzukehren
28. Tippen Sie auf das Uhrensymbol im Feld „Timer 1“
Einstellen auf;
Modus: Countdown
Zeit: 5:00
Schalter: Gas aus
Trigger über/unter: 25%
Einmalig: Sperren
29. Tippen Sie auf den Pfeil oben links, um zum Hauptbildschirm zurückzukehren

Informationen zur Telemetrie-Einrichtung finden Sie im Abschnitt „Smart Throttle“

Installieren des Flugakkus



1. Den Gashebel senken.
2. Den Sender einschalten.
3. Alle Trimmungen zentrieren.
4. Damit sich der Geschwindigkeitsregler aktivieren kann und sich die Rotoren vor dem Start nicht initialisieren können, „Throttle Hold“ und normalen Flug-Modus einschalten, ehe der Flug-Akku angeschlossen wird.
5. Die Hakenseite des Klettbands am Flugwerk des Hubschraubers anbringen und die Schlingenseite am Akku.
6. Den Flug-Akku auf dem Flugwerk des Hubschraubers montieren. Den Flug-Akku mit dem Klettband sichern.
7. Binden Sie Ihren Sender an den Hubschrauber, um eine Verbindung herzustellen. Weitere Informationen finden Sie im Abschnitt Bindung.
8. Das Akku-Kabel mit dem Geschwindigkeitsregler verbinden. Die Taumelscheibe wird sich zentrieren und anzeigen, dass das Gerät bereit ist. Die Status-LED der Flugsteuerung blinkt nach Abschluss der Initialisierung langsam grün auf.
9. Der Hubschraubermotor wird eine Reihe von Tönen aussenden, was anzeigt, dass der ESC bewaffnet ist.

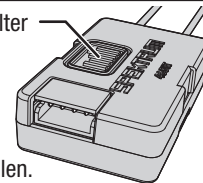
⚠ ACHTUNG: Sicherstellen, dass Flug-Akku, Kabel und Stecker nicht in Kontakt mit dem Motor kommen. Wird dies unterlassen, so kommt es zur Überhitzung von Motor, Geschwindigkeitsregler und Akku, was zu einem Absturz führt, der Sachschäden und Verletzungen verursacht.

⚠ ACHTUNG: Den LiPo-Akku immer von der Leitung des Geschwindigkeitsreglers trennen, wenn das Flugzeug nicht geflogen wird, um ein übermäßiges Entladen des Akkus zu vermeiden. Akkus, die bis unter die niedrigste zugelassene Spannung entladen werden, können beschädigt werden und so zu Leistungsverlusten und möglichen Bränden beim Laden der Akkus führen.

Binden von Sender und Empfänger

Das Binden ist der Vorgang, durch den der Empfänger darauf programmiert wird, den GUID-Code (Globally Unique Identifier) eines einzelnen Senders zu erkennen. Für den ordnungsgemäßen Betrieb muss der Sender des betreffenden Flugzeugs mit Spektrum™ DSM2®/DSMX® Technologie an den Empfänger gebunden werden. Der Empfänger des Hubschraubers 330 S Smart sitzt an den Halterungen des unteren Rahmens. Der Binde-Schalter mit dem Spektrum-Logo (senkrechte Balken) auf der Oberfläche liegt in der Mitte des Gehäuses, seitlich steht er in der Aus-Position.

Bindungsschalter



Ihr BNF-Flugzeug muss an Ihren Sender gebunden sein. Befolgen Sie untenstehende Anleitung, um eine Verbindung herzustellen.

1. Den Sender anhand der Senderkonfiguration in diesem Handbuch programmieren.
2. Senken Sie den Gashebel auf die niedrigste Position, wechseln Sie aus dem Flugmodus in den Normalmodus (Stabilitätsmodus) und aktivieren Sie die Gashebel-Sperre. Bringen Sie alle Trimmungen auf die Mittelposition.
3. Schalten Sie den Sender oder das HF-Signal aus, wenn Sie einen Sender der Serien Spektrum NX oder iX verwenden.
4. Den Flug-Akku am Geschwindigkeitsregler anschließen.
5. Drücken Sie den Bindungsschalter am Funk-Sender, um den Bindevorgang zu starten. Die orangefarbene LED auf dem Empfänger beginnt, schnell zu blinken, um den Bindungsmodus anzuzeigen.
6. Zum Aufrufen des Bindungsmodus die Verfahren für den jeweiligen Sender befolgen. Das System wird sich innerhalb weniger Sekunden verbinden. Nach dem Anschließen leuchtet die orangefarbene LED am Empfänger durchgängig orange auf.
7. Trennen Sie die Verbindung des Flug-Akkus und schalten Sie Ihren Sender aus (bzw. schalten Sie bei Spektrum-Sendern der iX-Serie RF aus).

Bei Problemen die Bindungsanweisungen und den Leitfaden zur Fehlerbehebung für den Sender befolgen.
Bei Bedarf hilft Ihnen die Produktsupport-Abteilung von Horizon weiter.

LED-Anzeige auf Flugsteuerung

Anzeige-Beschreibung	
Langsam grün blinkend	Flugbereit
Langsam rot blinkend	Failsafe aktiviert
Langsames blaugrünes Blinken	Modus „Vorwärtsprogrammierung“
Gelb blinkend (während der Kalibrierung)	Kalibrierung verläuft normal
Rot blinkend (während der Kalibrierung)	Kalibrierungsfehler, FC ist nicht waagrecht oder wurde während der Kalibrierung bewegt

Smart Throttle

Der ESC in diesem Hubschrauber ist in Kombination mit dem Flugregler FC6250HX und dem Empfänger 4651T für die Verwendung von Smart-Technologie ausgelegt. Dieses System kann während des Fluges eine Vielzahl von Echtzeit-Telemetriedaten zum Energiesystem einschließlich Motordrehzahl, Stromstärke, Akkuspannung und mehr an kompatible Spektrum Sender übertragen, die mit AirWare™ ausgestattet sind.

Während des Bindungsvorgangs führt der Sender eine automatische Konfiguration durch, die die Telemetrie-seite mit Daten versorgt. Unter Umständen müssen Sie die Telemetriewerte ändern, damit sie an das Fluggerät und Ihre Bedürfnisse angepasst sind.

So geben Sie die Telemetriewerte ein:

(Bei Sendern der iX-Serie müssen Sie auf jeder Seite Speichern wählen)

1. Schalten Sie Ihren Sender ein.
2. Aktivieren Sie „Gas halten“.
3. Das Flugzeug einschalten und Initialisierung ermöglichen.

SAFE Technologie

Die revolutionäre SAFE Technologie von Horizon Hobby (Sensor Assited Flight Envelope) verwendet eine innovative Kombination aus Multi-Achs Sensoren und Software, die es erlauben, die relative Position des Fluggerätes im Raum jederzeit zu bestimmen. Diese dreidimensionale Wahrnehmung schafft eine schräglagenbegrenzte Fluglage die Sie sicherer Fliegen läßt. Dabei werden Roll- und Nickwinkel beeinflusst und geregelt, um die Flugsicherheit zu erhöhen. Und das System kann weit mehr, als die Stabilisierung des Fluggerätes. Die verschiedenen Flugmodi können vom Piloten gemäß seiner Fähigkeiten individuell eingestellt werden.

Flugmodus und Geschwindigkeitswahl

Hubschrauber mit kollektiver Blattverstellung verwenden drei Motorflugmodi: Normal, Stunt 1 und Stunt 2.

Beim Eclipse 360 ist im Normalmodus die SAFE-Stabilität aktiviert. Der Rotorkopf dreht sich mit niedriger Drehzahl und die Schräglage ist begrenzt. Wenn der Steuerknüppel losgelassen wird, kehrt sich das Modell in den Horizontalfly zurück.

In Stunt 1 und Stunt 2 ist SAFE Stability beim Eclipse 360 deaktiviert. Er verwendet nur die AS3X-Technologie, damit das Flugzeug entsprechend den Steuereingaben reagiert. Die Schräglage ist nicht begrenzt. Wenn der Steuerknüppel losgelassen wird, kehrt das Modell nicht in den Horizontalfly zurück.

In Stunt 1 dreht der Rotorkopf mit moderater Geschwindigkeit für den Vorwärtsflug und Sportakrobatik.

Betrieb im Flugmodus

B-Schalter

- 0 = Normal, SAFE Ein
- 1 = Stunt 1, SAFE Aus
- 2 = Stunt 2, SAFE Aus

Panikrettung

Sollten Sie in einem beliebigen Mode Gefahr laufen die Kontrolle zu verlieren, drücken und halten Sie den Binde / Panikschalter und bringen die Steuerhebel in die neutrale Position. Die SAFE Technologie bringt dann unverzüglich das Modell in eine aufrechte Fluglage, vorausgesetzt es befindet sich in ausreichender Höhe ohne Hindernisse im Flugweg. Bringen Sie den Pitch / Gashebel wieder zurück auf 50% lassen den Panikschalter los um zum gewählten Flugmode zurück zu kehren.

Betrieb im Panikmodus

Bindungs-/I-Schalter

- Gedrückt = Panikmodus ein
- Losgelassen = Panikmodus aus

Gas halten (Throttle Hold)

„Gas halten“ schaltet bei einem elektrisch betriebenen Hubschrauber nur den Motor ab. Sie behalten die Kontrolle über Pitch und Richtung.

Die Rotorblätter werden sich drehen, wenn „Gas halten“ AUS ist. Aus Sicherheitsgründen muss „Gas halten“ bei Berührung des Hubschraubers oder Überprüfung

Betrieb bei „Gas halten“

H-Schalter

- 0 = Motor arbeitet normal
- 1 = Gas halten ist EINGESCHALTET, Motor dreht nicht

4. Gehen Sie in Ihrem Sender auf die **Funktionsliste (Modelleinstellung)** in Sendern der iX Reihe).
5. Wählen Sie die Menüoption **Telemetrie**.
6. Gehen Sie zur Menüoption **Smart-Akku**.
7. Scrollen Sie nach unten zu **Startup Volts**, geben Sie **4.0V/Zelle ein**.
8. Kehren Sie zum **Telemetrie**-Menü zurück.
9. Gehen Sie zur Menüoption **Smart ESC**.
10. Scrollen Sie nach unten zu **Total Cells (Gesamtzahl Zellen)** und geben Sie **3 ein**.
11. Scrollen Sie nach unten zu **Alarm bei niedriger Spannung**, geben Sie **3,2 V/Zelle ein** und stellen Sie **Stimme ein**.
12. Scrollen Sie zu den **Polen** und geben Sie **8 ein**.
13. Scrollen Sie zum **Verhältnis** und geben Sie **9,64:1 ein**.
14. Auf den Hauptbildschirm zurückkehren.

SAFE Technologie im Überblick:

- Flugstabilisierung über einen Schalter zuschaltbar.
- Mehrere Modi zur Anpassung von SAFE and die Fähigkeiten des Piloten.

Und das Beste an allem ist, dass SAFE keine weiteren Einstellungen und Vorbereitungen erfordert. Jedes Modell, welches mit SAFE ausgestattet wurde, verfügt über eine angepasste und optimierte Programmierung der Elektronik, um für maximale Sicherheit und maximalen Flugspaß zu sorgen.

In Stunt 2 ist die Rotorkopfdrehzahl höher. Dieser Modus kann für fortgeschrittenen Kunstflug verwendet werden.

Ändern Sie die Steuerraten in den einzelnen Modi über den Geschwindigkeits-schalter (Schalter F).

- Geringe Geschwindigkeit (Schalterstellung 2) verringert die Steuerraten, wodurch sich das Modell einfacher steuern lässt. Anfänger sollten für die ersten Flüge niedrige Geschwindigkeiten wählen.
- Hohe Geschwindigkeiten (Schalterpositionen 0 und 1) erfordern eine volle Steuerung und sollten nur durch Piloten mit fortgeschrittenen Kenntnissen und Erfahrung genutzt werden.

HINWEIS: Stellen Sie bitte sicher bevor Sie den Panikschalter loslassen, dass der Pitch / Gashebel wieder auf 50% steht. Ein negativer Pitchwert führt zum schnellen Sinkflug des 330 S Smart.

- Dieser Mode ist eignet sich dafür dass der Pilot seine fliegerischen Fähigkeiten weiter verbessern kann.
- Bewegen Sie für die schnellste Rettung den Pitchhebel auf 50 % und alle Senderkontrollen auf Neutral.
- Hat sich das Modell aufgerichtet ist der negative Pitchausschlag reduziert und soll verhindern, dass der Pilot das Modell in den Boden fliegt.

der Richtungssteuerung ausgeschaltet sein.

„Gas halten“ dient auch zum Abschalten des Motors, wenn der Hubschrauber außer Kontrolle ist, absturzgefährdet ist oder beides.

Kontrolltests

⚠ ACHTUNG: Sie müssen den Seitenruder- und zyklischen Test durchführen, bevor Sie einen Flug starten. Wenn Sie die Tests nicht durchführen und sich somit nicht der korrekten Sensorrichtungen vergewissern, kann der Helikopter abstürzen und Sachschäden sowie Verletzungen verursachen.

Zyklisch

Es ist normal, dass sich die Taumelscheibe nach einem Steuerknüppelbefehl nur langsam zurück in ihre Ausgangsposition bewegt und dass sich die Servos nicht in der gleichen Geschwindigkeit wie die Steuerknüppel bewegen.

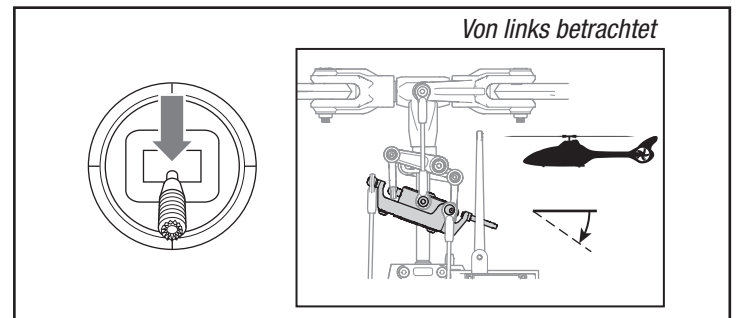
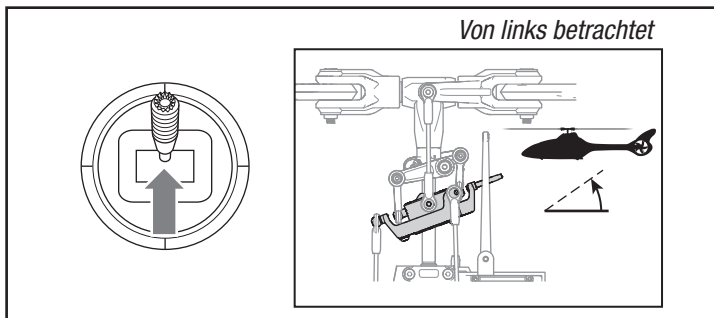
- Kippen Sie den Helikopter nach vorne. Die Taumelscheibe sollte nach hinten kippen.
- Kippen Sie den Helikopter nach hinten. Die Taumelscheibe sollte nach vorne kippen.
- Drehen Sie den Helikopter um eine volle Umdrehung nach links. Die Taumelscheibe sollte sich um eine volle Umdrehung nach rechts drehen.
- Drehen Sie den Helikopter um eine volle Umdrehung nach rechts. Die Taumelscheibe sollte sich um eine volle Umdrehung nach links drehen.

Test der zyklischen und kollektiven Steuerung

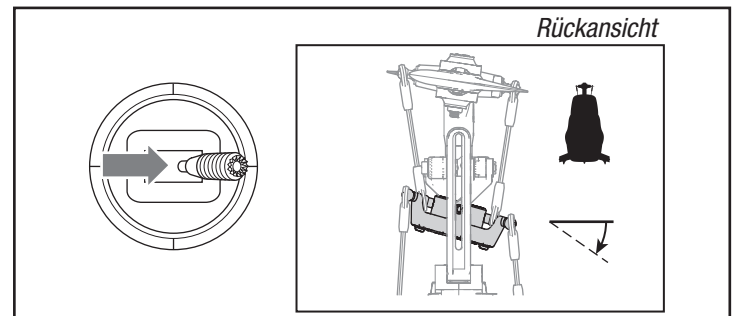
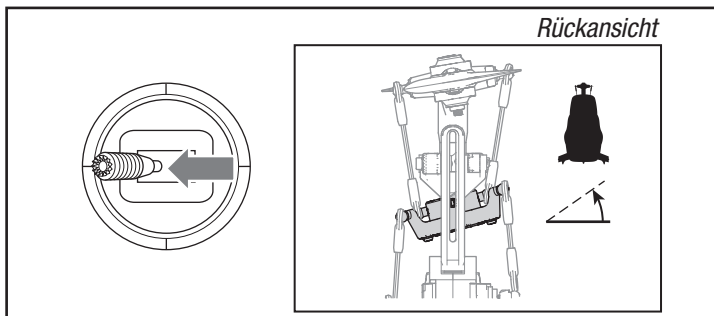
Stellen Sie sicher, dass der Throttle-Hold bei der Durchführung der Steuerrichtungstests auf EIN gestellt ist. Testen Sie die Steuerung vor jedem Flug, um sicherzustellen, dass die Servos, Gestänge und Teile ordnungsgemäß arbeiten.

Wenn die Steuerungen nicht wie in den Darstellungen unten gezeigt reagieren, bestätigen Sie, dass der Sender ordnungsgemäß programmiert ist, bevor Sie mit der Motorprüfung beginnen.

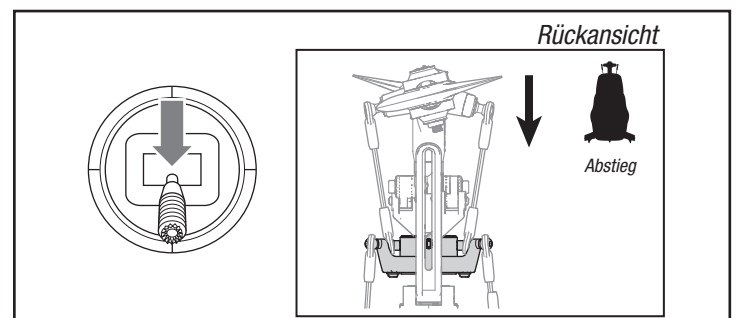
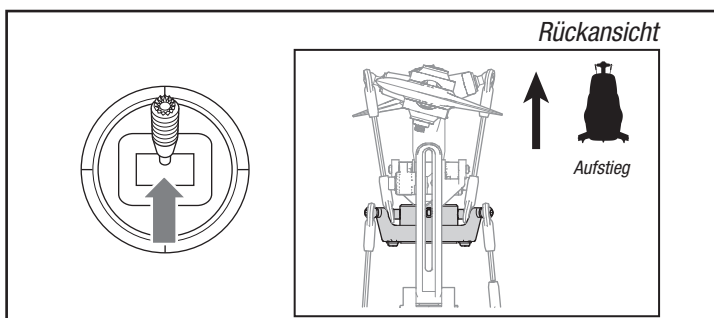
Höhenruder/zyklisch nach vorn und hinten



Querruder/zyklisch links und rechts



Collective Pitch



Motortest

Den Hubschrauber auf eine saubere, ebene und flache Außenfläche stellen (Beton oder Asphalt), die frei von Hindernissen ist. Halten Sie sich stets von den sich bewegenden Rotorblättern fern.

! WARNUNG: Der Motor wird sich drehen, wenn die Gaszufuhr erhöht wird und „Gas halten“ dabei ausgeschaltet ist.

1. Prüfen Sie, ob sich die Taumelscheiben in die richtige Richtung bewegen. Nutzen Sie die Diagramme auf der vorherigen Seite als Referenz.

! WARNUNG: Halten Sie mindestens 10 Meter (30 Ft.) Abstand zum Hubschrauber, wenn der Motor läuft. Versuchen Sie nicht, den Hubschrauber in diesem Moment zu fliegen.

2. Achten Sie darauf, dass der Gashebel vollständig heruntergedrückt ist und sich im normalen Flugmodus befindet.
3. Schalten Sie „Gas halten“ aus.
4. Die Gaszufuhr langsam erhöhen, bis sich die Rotorblätter zu drehen beginnen. Die Hauptblätter drehen sich Uhrzeigersinn, wenn man von oben auf den Hubschrauber schaut. Der Heckrotor dreht sich gegen den Uhrzeigersinn, wenn man den Hubschrauber von rechts betrachtet.
5. „Gas halten“ einschalten.

Niederspannungsabschaltung (LVC)

Die ESC versorgt den Motor durchgehend mit weniger Leistung, bis dieser sich vollständig abschaltet, wenn der Akku unter Last unter 12 V entladen wird. Dadurch wird eine Tiefentladung des LiPo-Akkus vermieden. Wenn die ESC die LVC aktiviert, setzen Sie sofort zur Landung an. Wenn Sie das Fluggerät dennoch weiterfliegen, kann dies zu Akkuscha-den, Absturz oder beidem führen. Absturzschäden und Akkuscha-den, die durch eine Tiefentladung bedingt sind, werden von der Garantie nicht abgedeckt.

Durch wiederholtes Fliegen des Helikopters bis zur LVC-Aktivierung wird der Akku des Helikopters beschädigt.

Entfernen Sie den LiPo-Akku nach Gebrauch aus dem Fluggerät, um eine allmähliche Entladung zu verhindern. Stellen Sie während der Lagerung sicher, dass die Akkuladung nicht unter 3 V pro Zelle abfällt.

Einführung in die Hauptsteuerfunktionen

Wenn Ihnen die Steuerung Ihres Eclipse 360 noch nicht geläufig ist, nehmen Sie sich bitte ein paar Minuten Zeit, um sich mit ihr vertraut zu machen, bevor Sie Ihren ersten Flug versuchen.

<p>Kollektive Pitch</p> <p>Kollektive Pitch oben</p>	<p>Kollektive Pitch unten</p> <p>Kollektive Pitch unten</p>
<p>Steuerung Seitenruder/Heckrotor</p> <p>Seitenruder nach links</p> <p>Nase dreht nach links</p>	<p>Steuerung Seitenruder/Heckrotor</p> <p>Seitenruder nach rechts</p> <p>Nase dreht nach rechts</p>
<p>Höhenruder/zyklisch nach vorn und hinten</p> <p>Höhenruder nach unten</p> <p>Vorwärts</p>	<p>Höhenruder/zyklisch nach vorn und hinten</p> <p>Höhenruder nach oben</p> <p>Rückwärts</p>
<p>Querruder/zyklisch links und rechts</p> <p>Querruder nach links</p> <p>Links</p>	<p>Querruder/zyklisch links und rechts</p> <p>Querruder nach rechts</p> <p>Rechts</p>

Checkliste für den Flug

- Überprüfen Sie, ob alle Schrauben fest angezogen sind Überprüfen Sie, ob die Riemenspannung richtig eingestellt ist
- Überprüfen Sie die Haupt- und Heckblätter auf Schäden
- Überprüfen Sie alle Verbindungen und stellen Sie sicher, dass sich diese frei bewegen können, aber nicht einfach ablösen
- Überprüfen Sie, ob Flugakku und Senderbatterie vollständig aufgeladen sind
- Überprüfen Sie alle Kabel und stellen Sie sicher, dass diese nicht durchgeschnitten, eingeklemmt oder abgerieben und ordnungsgemäß angeschlossen sind
- Überprüfen Sie alle Stecker und Kabelverbindungen
- Überprüfen Sie die Zahnräder auf fehlende Zähne
- Führen Sie einen vollständigen Test der Steuerung durch
- Überprüfen Sie die Servos auf deren Funktionsfähigkeit
- Überprüfen Sie, ob der Flugakku ordnungsgemäß befestigt ist
- Überprüfen Sie, ob alle elektronischen Komponenten ordnungsgemäß gesichert sind

Fliegen des Hubschraubers Blade Eclipse 360

Vor der Wahl des Standorts für das Fliegen des Fluggeräts die örtlichen Gesetze und Verordnungen konsultieren.

Einen großen, offenen Bereich ohne Personen und Objekte wählen. Die ersten Flüge sollten im Freien bei ruhigen Windverhältnissen stattfinden. Beim Fliegen immer mindestens 10 Meter (30 feet) Abstand zum Hubschrauber halten.

Der Blade Eclipse 360 ist zum Fliegen im Freien durch Piloten mit fortgeschrittenen Kenntnissen und Erfahrung vorgesehen.

Start

Der Eclipse 360 ESC verfügt über eine Soft-Start-Funktion. Bewegen Sie den Gas-/Kollektivhebel nach vorne in eine mittlere Position. Die Rotorkopfdrehzahl wird langsam ansteigen. Sobald die Rotorkopfdrehzahl konstant ist (das Hochfahren dauert ca. 10 Sekunden), bewegen Sie den Gas-/Kollektivhebel langsam nach vorn, bis das Modell vom Boden abhebt. Gehen Sie in einer Höhe von mindestens 0,6 m (24"), außerhalb des Bodeneffekts, in einen Schwebeflug.

⚠ ACHTUNG: Während sich der Hubschrauber am Boden befindet, können große Eingaben in der Roll- oder Pitch-Steuerung zu einem Absturz führen.

Fliegen

Die ersten Flüge sollten im Normalmodus und mit geringen Zyklus- und Heckrotordrehzahlen durchgeführt werden, bis Sie mit dem Flugverhalten des Hubschraubers vertraut sind.

⚠ ACHTUNG: Fliegen Sie den Hubschrauber immer mit dem Rücken zur Sonne und zum Wind. So vermeiden Sie einen Verlust der Flugsteuerung.

Landen

Bringen Sie den Hubschrauber in einen niedrigen Schwebeflug. Bewegen Sie den Gashebel bewusst nach hinten, bis der Hubschrauber landet.

Wenn sich der Hubschrauber im Stunt-Modus befindet:

- Die Rotorkopfdrehzahl ist konstant.
- Der Hauptrotor erhöht den negativen Pitch, wenn Sie den Gas-/Kollektivhebel von der mittleren Position nach hinten bewegen. Mit negativem Pitch kann der Hubschrauber kopfüber fliegen und zum Kunstflug verwendet werden.

Wenn Sie zwischen Normal- und Stuntmodus wechseln möchten, gehen Sie in den Schwebeflug und bringen Sie den Gashebel in die Nähe der Schwebeflugposition.

⚠ WARNUNG: Verwenden Sie an der Blade Eclipse 360 keine Hauptflügelblätter aus Holz. Dies kann zu Verletzungen und/oder Sachschäden führen. Verwenden Sie nur Ersatz-Hauptflügelblätter für die Blade Eclipse 360.

Die Technik vom Rumpf entfernen.

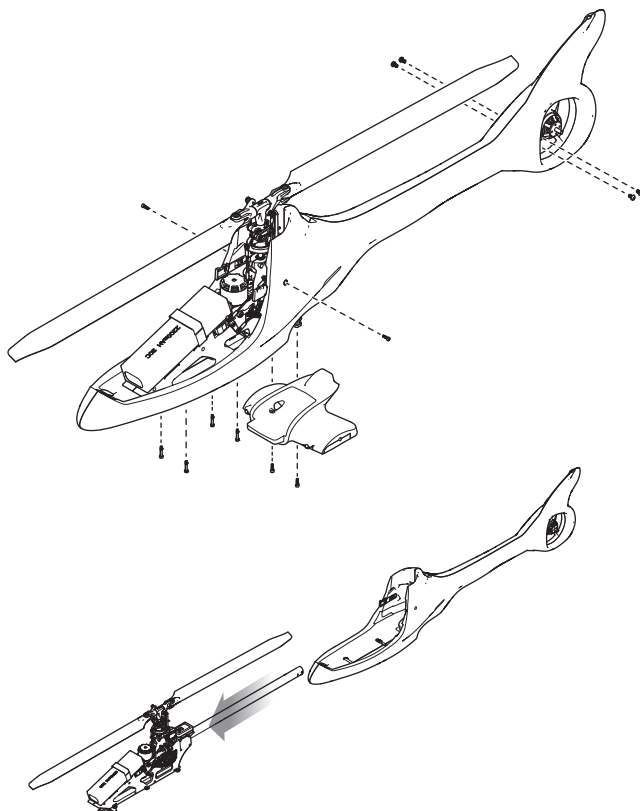
Die Technik vorsichtig vom Rumpf nehmen:

1. Entfernen Sie die vier Schrauben der Heckmotorhalterung.
2. Entfernen Sie die beiden Schrauben an der Seite des Rumpfes und die sechs Schrauben an der Unterseite des Rumpfes.
3. Die untere Abdeckung vom Rumpf entfernen.
4. Trennen Sie die Leuchten vom Kabelbaum.

5. Entfernen Sie einen Teil der Mechanik mit dem Heckausleger vom Rumpf.
6. Entfernen Sie die Heckmotor-Baugruppe vom Rumpf
7. Trennen Sie den Heckmotor.
8. Entfernen Sie die Mechanik und den Heckausleger vollständig vom Rumpf.

Zum Wiedereinbau des Rumpfes:

In entgegengesetzter Reihenfolge wiederholen.



Kontrollen nach dem Flug und Wartung

Gelenkköpfe	Stellen Sie sicher, dass der Kunststoff-Gelenkkopf die Rollkugel hält, aber nicht an der Kugel haftet (fest verbunden). Wenn ein Gelenkkopf zu locker auf der Kugel sitzt, kann er sich während des Fluges von der Kugel lösen und einen Absturz verursachen. Tauschen Sie abgenutzte Gelenkköpfe aus, bevor sie ausfallen.
Reinigung	Stellen Sie vor einer Reinigung sicher, dass der Akku nicht angeschlossen ist. Entfernen Sie Staub und Rückstände mit einer weichen Bürste oder einem trockenen, fusselfreien Tuch.
Lager	Tauschen Sie Lager aus, wenn sie beschädigt werden.
Verkabelung	Stellen Sie sicher, dass Kabel die beweglichen Teile nicht blockieren. Tauschen Sie beschädigte Kabel und lockere Stecker aus.
Befestiger	Stellen Sie sicher, dass keine Schrauben, sonstige Befestiger und Stecker locker sind. Metallschrauben in Kunststoffteilen dürfen nicht überdreht werden. Ziehen Sie Schrauben so fest, dass Teile zusammengefügt werden, und drehen Sie die Schrauben jeweils nur um 1/8 Umdrehung weiter
Rotoren	Stellen Sie sicher, dass an den Rotorblättern und sonstigen Teilen, die sich mit hoher Drehzahl bewegen, keine Schäden vorliegen. Schäden an diesen Teilen beinhalten Risse, Grate, Späne und Kratzer. Tauschen Sie beschädigte Teile vor dem Flug aus.
Flugregler	Sicherstellen, dass die Flugsteuerung sicher am Rahmen befestigt ist. Das doppelseitigem Klebeband bei Bedarf ersetzen. Der Hubschrauber wird abstürzen, wenn sich die Flugsteuerung vom Hubschrauberrahmen trennt.

Erweitertes Tuning (Forward Programming/Vorwärtsprogrammierung)

Folgendes gilt für Spektrum-Sender mit Möglichkeit zur Vorwärtsprogrammierung. Eine vollständige Liste von Sendern mit Möglichkeit zur Vorwärtsprogrammierung Sie im Handbuch Ihres Senders oder auf SpektrumRC.com.

Die Standardeinstellungen des Blade Eclipse 360 sind für die meisten Benutzer geeignet. Wir empfehlen, mit den Standardparametern zu fliegen, bevor Sie weitere Einstellungen vornehmen.

Die Flugsteuerung Blade Eclipse 360 BNF kann von jedem kompatiblen Spektrum-Sender aus programmiert werden (siehe www.SpektrumRC.com für weitere Informationen).

Die mit den BNF-Modellen gelieferte Flugsteuerung ist speziell für den Blade Eclipse 360 Hubschrauber konfiguriert. Sie verwendet die mitgelieferten elektronischen Bauteile und ist nicht für die Verwendung in anderen Fluggeräten vorgesehen.

Aufrufen des Menüs „Erweiterte Parameter“

Wenn der Hubschrauber an den Sender gebunden und eingeschaltet ist, gehen Sie in die Function List [Funktionsliste] und wählen Sie Forward Programming [Vorwärtsprogrammierung]. Kleine Änderungen an einem Parameter nach dem anderen vornehmen und die Änderungen testen, bevor Sie den Parameter weiter ändern oder einen anderen Parameter ändern. Wenn Sie zu irgendeinem Zeitpunkt den Standardwert für einen Parameter wiederherstellen möchten, drücken Sie einfach die [RESET]-Taste auf dem Bildschirm des IX-Funkgeräts oder die [Clear]-Taste auf den DX- und NX-Sendern. Der Standardwert für diesen Parameter wird dann auf den empfohlenen Wert für Ihr spezifisches BNF-Modell zurückgesetzt.

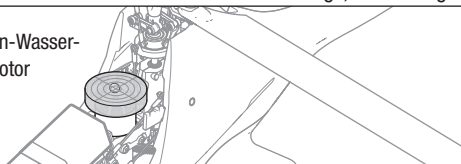
Kalibrierungsverfahren

Hat der Hubschrauber Abdriftprobleme, folgende Kalibrierung durchführen. Das Kalibrierungsverfahren kann außerdem nach Reparaturen nach einem Absturz notwendig sein.

1. Sicherstellen, dass die für die Kalibrierung verwendete Oberfläche eben ist.
2. Den Sender einschalten und Throttle Hold [Gas halten] aktivieren.
3. Den Flug-Akku an den Geschwindigkeitsregler anschließen und das Modell initialisieren lassen.
4. Throttle Hold [Gas halten] einschalten.
5. Verwenden Sie auf dem Motor eine kleine 2-Achsen-Wasserwaage, wie unten gezeigt.

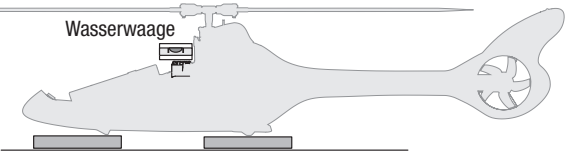
7. Function List [Funktionsliste] auf Ihrem Sender eingeben.
8. Forward Programming [Vorwärtsprogrammierung] auswählen.
9. System Setup [Systemkonfiguration] auswählen.
10. Calibration [Kalibrierung] auswählen.
11. Apply [Übernehmen] auswählen, um die Kalibrierung zu starten. Eine gelb blinkende LED zeigt an, dass die Kalibrierung normal verläuft. Eine rot leuchtende LED zeigt an, dass sich das Modell nicht in der Waagerechten befindet oder dass das Modell bewegt wurde. In diesem Fall beginnt die Kalibrierung erneut.
12. Nach erfolgreichem Abschluss der Kalibrierung wechselt die Empfänger-LED in ein langsames cyanfarbenes Blinken, das anzeigt, dass die Kalibrierung abgeschlossen ist.
13. Bevor Sie Ihr Modell fliegen, verlassen Sie die Vorwärtsprogrammierung gehen Sie die Checkliste für vor dem Flug durch.

Legen Sie eine 2-Achsen-Wasserwaage auf den Motor



6. Nivellieren Sie gegebenenfalls den Hubschrauber, indem Sie eine Unterlegscheibe unter die Landekufe legen.

Wasserwaage



Legen Sie Unterlegscheiben unter die Landekufen, um das Modell zu nivellieren

Factory Reset [Werkseinstellung]

Wenn das Tuning des Hubschraubers Blade Eclipse 360 zu unerwünschten Flugleistungen führt, kann auf Werkseinstellungen zurückgesetzt werden, indem unter Forward Programming [Vorwärtsprogrammierung] die Option Factory Reset [Werkseinstellung] ausgewählt wird.

1. Function List [Funktionsliste] eingeben.
2. Forward Programming [Vorwärtsprogrammierung] auswählen.
3. System Setup [Systemkonfiguration] auswählen.
4. Factory Reset [Werkseinstellung] auswählen.
5. Apply [Übernehmen] auswählen.
6. Führen Sie die Funktion Setup [Konfiguration]->Swashplate [Taumelscheibe]->Sub Trim [Ersatztrimmung] durch und stellen Sie die korrekte Trimmung der Servos sicher.
7. Bevor Sie das Modell fliegen, gehen Sie die Checkliste für vor dem Flug durch.

Trimmflug

Führen Sie diesen Vorgang durch, wenn die Leistung des Modells unbefriedigend ist oder nach einem Absturz vor kürzerer Zeit repariert wurde.

Das Trimmflug-Verfahren wurde bei den Testflügen im Werk vorgenommen und braucht nur dann erneut durchgeführt zu werden, wenn Sie feststellen, dass Ihr Modell sich nicht sauber ausrichtet oder bei ortsfesten Pirouetten nicht stillsteht.

Anhand des Trimmflugs werden die optimalen Einstellungen ermittelt, die von der SAFE®-Technologie während des Flugs angewendet werden.

Der Trimmflug muss bei ruhigen Windbedingungen erfolgen.

In den Trimmflugmodus wechseln

1. Den Gashebel in die niedrigste Position bringen.
2. Alle Trimmungen zentrieren. Beim mitgelieferten Spektrum DXe-Sender (nur RTF) sind die Trimmungen zentriert, wenn ein hoher Ton hörbar ist, wenn der Trimmungsschalter betätigt wird. Die Trimmung in beide Richtungen bewegen, bis ein hoher Ton hörbar ist.
3. Schalten Sie den Sender ein.
4. Den Flug-Akku im Hubschrauber montieren.
5. Den Akku-Stecker mit dem Geschwindigkeitsregler verbinden.
6. Stellen Sie den Hubschrauber auf eine ebene Fläche und lassen Sie ihn stehen, bis der Motor zweimal piept und die blaue ESC-LED leuchtet und anzeigt, dass die Initialisierung abgeschlossen ist.

Durchführen des Trimmflugs

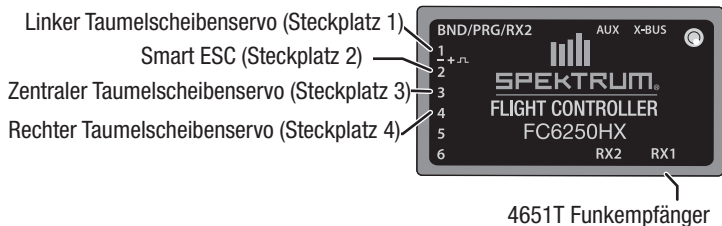
1. Die Gaszufuhr langsam erhöhen, um das Modell in einen ortsfesten Schwebeflug zu bringen. Korrekturen je nach Bedarf vornehmen, um das Modell ruhig zu halten. Die Auswertung beginnt erst, wenn der Gasknüppel auf über 50 % steht und die Knüppel zentriert sind. Das Durchführen von Korrekturen wirkt sich nicht auf das Ergebnis aus, jedoch kann ein längerer Flug notwendig sein.

Verlassen des Trimmflug-Modus

1. Nach der Landung den Gashebel in die niedrigste Position bringen.
2. Die Notrückholung für 2 Sekunden aktivieren oder bis die Taumelscheibe zuckt, um anzuzeigen, dass die Servopositionen und Fluglagenwerte aufgezeichnet wurden und der Trimmflug-Modus beendet wurde.

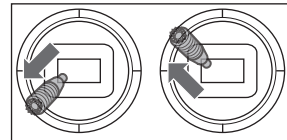
FC6250HX Steckplatzbelegung

Halten Sie sich an das folgende Diagramm, wenn Sie eines der Servos ersetzen müssen.



7. Stellen Sie den Hubschrauber an den Ort, von dem aus Sie starten wollen.

8. Bewegen Sie, wie dargestellt, den linken Steuerknüppel nach links unten und den rechten Steuerknüppel nach links oben und halten Sie beide in dieser Position.



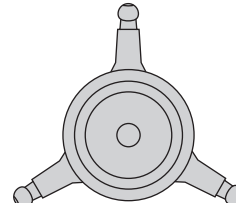
9. Aktivieren Sie die Panikwiederherstellung, bis sich die Taumelscheibe einmal komplett dreht.
10. Lassen Sie die Steuerknüppel los und deaktivieren Sie die Panikwiederherstellung.
11. Das Modell ist für den Trimmflug bereit.

2. Das Modell für insgesamt 120 Sekunden ortsfest halten. Gleitende und langsame Bewegungen sind in Ordnung. Das Hauptziel ist es, die Rotorscheibe waagrecht zu halten.
3. Ist der Trimmflug zufriedenstellend, das Modell landen.

Front des Hubschraubers



Zentraler Taumelscheibenservo



Linker Taumelscheibenservo

Rechter Taumelscheibenservo

Leitfaden zur Fehlerbehebung

Problem	Mögliche	Lösung
Hubschrauber reagiert nicht richtig und erfordert extra Trimmung um die Bewegung zu stoppen	Hubschrauber ist nicht korrekt initialisiert oder Vibrationen stören die Sensoren	Trennen Sie den Flugakku, zentrieren die Trimmung und initialisieren den Hubschrauber erneut
Hubschrauber reagiert nicht auf Gas	Gas oder Gastrimmung ist zu hoch	Trennen Sie den Flugakku, bringen Sie den Gashebel in die niedrigste Position und stellen die Gastrimmung ein paar Klicks nach unten. Schließen Sie den Flugakku an und lassen sich das Modell initialisieren
	Hubschrauber wurde während der Initialisierung bewegt	Trennen Sie den Flugakku und initialisieren den Hubschrauber erneut. Dabei muß er vollkommen still stehen
Hubschrauber hat nicht genug Leistung oder Flugzeit ist reduziert	Flugakku ist nicht richtig geladen	Laden Sie den Akku vollständig
	Flugakku ist beschädigt	Wechseln Sie den Flugakku und folgen den Anweisungen des Flugakkus
	Temperaturen möglicherweise zu niedrig	Stellen Sie sicher dass der Akku vor Gebrauch auf Zimmertemperatur ist
LED auf dem Empfänger blinkt schnell, Hubschrauber reagiert nicht auf den Sender (während des Bindevorganges)	Sender war bei dem Binden zu nah am Hubschrauber	Schalten Sie den Sender aus und vergrößern Sie die Entfernung zum Flugzeug. Trennen und verbinden den Akku zum Hubschrauber erneut, folgen Sie den Bindenweisungen
	Bindeschalter oder Button wurde beim Einschalten des Senders nicht gedrückt	Schalten Sie den Sender aus und wiederholen den Bindevorgang
	Hubschrauber oder Sender steht zu nah an großen Metallobjekt, Funkquelle oder anderem Sender	Bringen Sie den Hubschrauber oder Sender an einen anderen Ort und binden Sie erneut
LED auf dem Empfänger blinkt schnell, Hubschrauber reagiert nicht auf den Sender (nach dem Bindevorgang)	Der Bindestecker wurde nach dem Binden nicht aus dem Empfänger entfernt	Trennen Sie den Flugakku, entfernen Sie den Bindestecker vom Empfänger und schließen den Flugakku neu an
	Bei dem Anschließen des Akkus wurde weniger als 5 Sekunden nach Einschalten des Senders der Flugakku angeschlossen	Lassen Sie den Sender eingeschaltet. Trennen und verbinden Sie den Flugakku erneut
	Der Hubschrauber ist an einen anderen Modellspeicher gebunden (nur Sender mit ModelMatch)	Wählen Sie den richtigen Modellspeicher auf dem Sender. Trennen und verbinden Sie den Akku erneut
	Flug- oder Senderakku nicht ausreichend geladen	Ersetzen oder laden Sie die Akkus
	Hubschrauber oder Sender steht zu nah an großen Metallobjekt, Funkquelle oder anderem Sender	Bringen Sie den Hubschrauber oder Sender an einen anderen Ort und binden Sie erneut
Hubschrauber vibriert und schüttelt im Flug	Beschädigte Rotorblätter, Spindel oder Blattgriffe	Prüfen Sie die Hauptrotorblätter und Blatthalter auf Brüche oder Risse. Ersetzen Sie beschädigte Teile
Willkürliche Bewegung im Flug	Vibrationen	Überprüfen Sie ob der Empfänger korrekt befestigt ist. Überprüfen Sie das Schaumtape. Prüfen Sie ob der Empfänger von Kabeln beeinflusst wird. Überprüfen und balancieren Sie alle drehenden Komponenten. Prüfen Sie ob die Rotorwelle oder Heckrotor nicht beschädigt oder verbogen sind. Überprüfen Sie die Mechanik auf defekte oder beschädigte Teile und ersetzen diese
Heck schwingt oder hat zu wenig Leistung	Heckabstützung gelöst, Beschädigter Heckrotor. Zahnflankenspiel Hauptrotorgetriebe, lose Bolzen, Vibrationen	Überprüfen Sie dass die Heckrohrabstützungen fest und richtig ausgerichtet sind. Überprüfen Sie den Heckrotor auf Beschädigung und dass alle Befestigungen fest sind. Überprüfen Sie das Zahnflankenspiel und die Leichtgängigkeit der Zahnräder auf volle Umdrehungen. Ersetzen Sie alle verschlissenen oder beschädigten Teile
Driftet bei etwas Wind	Vibrationen, beschädigte Anlenkungen, beschädigtes Servo	Unter normalen Bedingungen sind keine Trimmeingaben erforderlich und die Mittelstellungen werden während der Initialisierung gespeichert. Sollten Sie nach dem Start Trimmungen vornehmen müssen überprüfen Sie ob alle drehenden Teile in Balance resp. gewuchtet sind. Überprüfen Sie ob alle Anlenkungen unbeschädigt sind und die Servos einwandfrei arbeiten
Driftet bei Wind	Normal	Das Modell driftet mit dem Wind sollte aber dabei aufrecht bleiben. Steuern Sie mit der zyklischen Steuerung in die entsprechenden Richtung um das Modell auf einem Punkt zu halten. Das Modell muß sich dabei etwas gegen den Wind lehnen sonst wird er wieder vom Wind abgetrieben
Panikschalter oder Ausgleichen regelt das Modell nicht in aufrechte Lage zurück.	Das Modell wurde nicht auf einer ebenen Fläche initialisiert	Lassen Sie das Modell neu initialisieren
	Modell wurde nicht auf ebenen Untergrund gestartet	Starten Sie immer von einer ebenen Oberfläche
Schwere Vibrationen	Akkuschlaufe zu fest angezogen	Lösen Sie die Akkuschlaufe
	Drehende Komponente ist nicht mehr gewuchtet	Prüfen Sie die Hauptrotorwelle, Heckrotor, Hauptrotorblätter, Rahmen und Adapter auf Beschädigungen. Ersetzen Sie wenn notwendig. Damit die Panikfunktion und die Stabilisierung einwandfrei funktionieren müssen die Vibrationen minimiert werden

Garantie und Service Informationen

Warnung—Ein ferngesteuertes Modell ist kein Spielzeug. Es kann, wenn es falsch eingesetzt wird, zu erheblichen Verletzungen bei Lebewesen und Beschädigungen an Sachgütern führen. Betreiben Sie Ihr RC-Modell nur auf freien Plätzen und beachten Sie alle Hinweise der Bedienungsanleitung des Modells wie auch der Fernsteuerung.

Garantiezeitraum—Exklusive Garantie Horizon Hobby LLC (Horizon) garantiert, dass das gekaufte Produkt frei von Material- und Montagefehlern ist. Der Garantiezeitraum entspricht den gesetzlichen Bestimmungen des Landes, in dem das Produkt erworben wurde. In Deutschland beträgt der Garantiezeitraum 6 Monate und der Gewährleistungszeitraum 18 Monate nach dem Garantiezeitraum. Einschränkungen der Garantie

- (a) Die Garantie wird nur dem Erstkäufer (Käufer) gewährt und kann nicht übertragen werden. Der Anspruch des Käufers besteht in der Reparatur oder dem Tausch im Rahmen dieser Garantie. Die Garantie erstreckt sich ausschließlich auf Produkte, die bei einem autorisierten Horizon Händler erworben wurden. Verkäufe an Dritte werden von dieser Garantie nicht gedeckt. Garantieansprüche werden nur angenommen, wenn ein gültiger Kaufnachweis erbracht wird. Horizon behält sich das Recht vor, diese Garantiebestimmungen ohne Ankündigung zu ändern oder modifizieren und widerruft dann bestehende Garantiebestimmungen.
- (b) Horizon übernimmt keine Garantie für die Verkaufbarkeit des Produktes, die Fähigkeiten und die Fitness des Verbrauchers für einen bestimmten Einsatzzweck des Produktes. Der Käufer allein ist dafür verantwortlich, zu prüfen, ob das Produkt seinen Fähigkeiten und dem vorgesehenen Einsatzzweck entspricht.
- (c) Ansprüche des Käufers – Es liegt ausschließlich im Ermessen von Horizon, ob das Produkt, bei dem ein Garantiefall festgestellt wurde, repariert oder ausgetauscht wird. Dies sind die exklusiven Ansprüche des Käufers, wenn ein Defekt festgestellt wird.

Horizon behält sich vor, alle eingesetzten Komponenten zu prüfen, die in den Garantiefall einbezogen werden können. Die Entscheidung zur Reparatur oder zum Austausch liegt nur bei Horizon. Die Garantie schließt kosmetische Defekte oder Defekte, hervorgerufen durch höhere Gewalt, falsche Behandlung des Produktes, falscher Einsatz des Produktes, kommerziellen Einsatz oder Modifikationen irgendwelcher Art aus.

Die Garantie schließt Schäden, die durch falschen Einbau, falsche Handhabung, Unfälle, Betrieb, Service oder Reparaturversuche, die nicht von Horizon ausgeführt wurden aus.

Ausgeschlossen sind auch Fälle die bedingt durch (vii) eine Nutzung sind, die gegen geltendes Recht, Gesetze oder Regularien verstoßen haben. Rücksendungen durch den Käufer direkt an Horizon oder eine seiner Landesvertretungen bedürfen der Schriftform.

Schadensbeschränkung—Horizon ist nicht für direkte oder indirekte Folgeschäden, Einkommensausfälle oder kommerzielle Verluste, die in irgendeinem Zusammenhang mit dem Produkt stehen verantwortlich, unabhängig ab ein Anspruch im Zusammenhang mit einem Vertrag, der Garantie oder der Gewährleistung erhoben werden. Horizon wird darüber hinaus keine Ansprüche aus einem Garantiefall akzeptieren, die über den individuellen Wert des Produktes hinaus gehen. Horizon hat keinen Einfluss auf den Einbau, die Verwendung oder die Wartung des Produktes oder etwaiger Produktkombinationen, die vom Käufer gewählt werden. Horizon übernimmt keine Garantie und akzeptiert keine Ansprüche für in der Folge auftretende Verletzungen oder Beschädigungen. Mit der Verwendung und dem Einbau des Produktes akzeptiert der Käufer alle aufgeführten Garantiebestimmungen ohne Einschränkungen und Vorbehalte.

Wenn Sie als Käufer nicht bereit sind, diese Bestimmungen im Zusammenhang mit der Benutzung des Produktes zu akzeptieren, werden Sie gebeten, das Produkt in unbenutztem Zustand in der Originalverpackung vollständig bei dem Verkäufer zurückzugeben.

Sicherheitshinweise—Dieses ist ein hochwertiges Hobby Produkt und kein Spielzeug. Es muss mit Vorsicht und Umsicht eingesetzt werden und erfordert einige mechanische wie auch mentale Fähigkeiten. Ein Versagen, das Produkt sicher und umsichtig zu betreiben kann zu Verletzungen von Lebewesen und Sachbeschädigungen erheblichen Ausmaßes führen. Dieses Produkt ist nicht für den Gebrauch durch Kinder ohne die Aufsicht eines Erziehungsberechtigten vorgesehen. Die Anleitung enthält Sicherheitshinweise und Vorschriften sowie Hinweise für die Wartung und den Betrieb des Produktes. Es ist unabdingbar, diese Hinweise vor der ersten Inbetriebnahme zu lesen und zu verstehen. Nur so kann der falsche Umgang verhindert und Unfälle mit Verletzungen und Beschädigungen vermieden werden.

Fragen, Hilfe und Reparaturen—Ihr lokaler Fachhändler und die Verkaufsstelle können eine Garantiebeurteilung ohne Rücksprache mit Horizon nicht durchführen. Dies gilt auch für Garantiereparaturen. Deshalb kontaktieren Sie in einem solchen Fall den Händler, der sich mit Horizon kurz schließen wird, um eine sachgerechte Entscheidung zu fällen, die Ihnen schnellstmöglich hilft.

Wartung und Reparatur—Muss Ihr Produkt gewartet oder repariert werden, wenden Sie sich entweder an Ihren Fachhändler oder direkt an Horizon.

Rücksendungen / Reparaturen werden nur mit einer von Horizon vergebenen RMA Nummer bearbeitet. Diese Nummer erhalten Sie oder Ihr Fachhändler vom technischen Service. Mehr Informationen dazu erhalten Sie im Serviceportal unter www.horizonhobby.de oder telefonisch bei dem technischen Service von Horizon.

Packen Sie das Produkt sorgfältig ein. Beachten Sie, dass der Originalkarton in der Regel nicht ausreicht, um beim Versand nicht beschädigt zu werden. Verwenden Sie einen Paketdienstleister mit einer Tracking Funktion und Versicherung, da Horizon bis zur Annahme keine Verantwortung für den Versand des Produktes übernimmt. Bitte legen Sie dem Produkt einen Kaufbeleg bei, sowie eine ausführliche Fehlerbeschreibung und eine Liste aller eingesendeten Einzelkomponenten. Weiterhin benötigen wir die vollständige Adresse, eine Telefonnummer für Rückfragen, sowie eine Email Adresse.

Garantie und Reparaturen—Garantieanfragen werden nur bearbeitet, wenn ein Originalkaufbeleg von einem autorisierten Fachhändler beiliegt, aus dem der Käufer und das Kaufdatum hervorgeht. Sollte sich ein Garantiefall bestätigen wird das Produkt repariert oder ersetzt. Diese Entscheidung obliegt einzig Horizon Hobby.

Kostenpflichtige Reparaturen—Liegt eine kostenpflichtige Reparatur vor, erstellen wir einen Kostenvorschlag, den wir Ihrem Händler übermitteln. Die Reparatur wird erst vorgenommen, wenn wir die Freigabe des Händlers erhalten. Der Preis für die Reparatur ist bei Ihrem Händler zu entrichten. Bei kostenpflichtigen Reparaturen werden mindestens 30 Minuten Werkstattzeit und die Rückversandkosten in Rechnung gestellt. Sollten wir nach 90 Tagen keine Einverständniserklärung zur Reparatur vorliegen haben, behalten wir uns vor, das Produkt zu vernichten oder anderweitig zu verwerten.

ACHTUNG: Kostenpflichtige Reparaturen nehmen wir nur für Elektronik und Motoren vor. Mechanische Reparaturen, besonders bei Hubschraubern und RC-Cars sind extrem aufwendig und müssen deshalb vom Käufer selbst vorgenommen werden.

Garantie und Service Kontaktinformationen

Land des Kauf	Horizon Hobby	Telefon/E-mail Adresse	Adresse
European Union	Horizon Technischer Service Sales: Horizon Hobby GmbH	service@horizonhobby.de +49 (0) 4121 2655 100	Hanskampring 9 D 22885 Barsbüttel, Germany

Konformitätshinweise für die Europäische Union



EU Konformitätserklärung:

Blade Eclipse 360 BNF Basic (BLH01250): Hiermit erklärt Horizon Hobby, LLC, dass das Gerät den folgenden Richtlinien entspricht: EU-Richtlinie über Funkanlagen 2014/53/EU; RoHS 2-Richtlinie 2011/65 / EU; RoHS 3-Richtlinie - Änderung 2011/65 / EU-Anhang II 2015/863.

Der vollständige Text der EU-Konformitätserklärung ist unter folgender Internetadresse abrufbar: <https://www.horizonhobby.com/content/support-render-compliance>.

HINWEIS: Dieses Produkt enthält Batterien, die unter die europäische Richtlinie 2006/66 / EG fallen und nicht mit dem Hausmüll entsorgt werden können. Bitte beachten Sie die örtlichen Vorschriften.

Drahtloser Frequenzbereich und Drahtlose Ausgangsleistung:

Empfänger:

2402.0–2478.0MHz
18.87dBm

Offizieller EU-Hersteller:

Horizon Hobby, LLC
2904 Research Road
Champaign, IL 61822 USA

Offizieller EU-Importeur:

Horizon Hobby, GmbH
Hanskampring 9
22885 Barsbüttel Germany

WEEE-HINWEIS:



Dieses Gerät ist gemäß der Europäischen Richtlinie 2012/19/EU über Elektro- und Elektronik-Altgeräte (WEEE) gekennzeichnet. Dieses Symbol weist darauf hin, dass dieses Produkt kein normaler Haushaltsabfall ist, sondern in einer entsprechenden Sammelstelle für Elektro- und Elektronik-Altgeräte entsorgt werden muss.

REMARQUE

La totalité des instructions, garanties et autres documents est sujette à modification à la seule discrétion d'Horizon Hobby, LLC. Pour obtenir la documentation à jour de ce produit, veuillez consulter le site www.horizonhobby.com ou www.towerhobbies.com et cliquez sur l'onglet de support du produit.

Signification de certains termes spécifiques

Les termes suivants sont utilisés dans l'ensemble du manuel pour indiquer différents niveaux de danger lors de l'utilisation de ce produit:

AVERTISSEMENT: Procédures qui, si elles ne sont pas suivies correctement, peuvent entraîner des dégâts matériels, des dommages collatéraux et des blessures graves OU engendrer une probabilité élevée de blessure superficielle.

ATTENTION: Procédures qui, si elles ne sont pas suivies correctement, peuvent entraîner des dégâts matériels ET des blessures graves.

REMARQUE: Procédures qui, si elles ne sont pas suivies correctement, peuvent entraîner des dégâts matériels ET potentiellement un risque faible de blessures.



AVERTISSEMENT: Lisez la TOTALITE du manuel d'utilisation afin de vous familiariser avec les caractéristiques du produit avant de le faire fonctionner. Une utilisation incorrecte du produit peut entraîner l'endommagement du

produit lui-même, ainsi que des risques de dégâts matériels, voire de ce produit ne respectant pas les principes de sécurité et de responsabilité peut entraîner des dégâts matériels, endommager le produit et provoquer des blessures. Ce produit n'est pas destiné à être utilisé par des enfants sans la surveillance directe d'un adulte. N'essayez pas de démonter le produit, de l'utiliser avec des composants incompatibles ou d'en améliorer les performances sans l'accord d'Horizon Hobby, LLC. Ce manuel comporte des instructions relatives à la sécurité, au fonctionnement et à l'entretien. Il est capital de lire et de respecter toutes les instructions et avertissements du manuel avant l'assemblage, le réglage ou l'utilisation afin de le manipuler correctement et d'éviter les dommages ou les blessures graves.

14 ans et plus. Ceci n'est pas un jouet.

Précautions et avertissements liés à la sécurité

- Gardez une bonne distance de sécurité tout autour de votre modèle, afin d'éviter les collisions ou les blessures. Ce modèle est contrôlé par un signal radio, qui peut être soumis à des interférences provenant de nombreuses sources hors de votre contrôle. Une interférence peut provoquer une perte momentanée de contrôle.
- Faites toujours fonctionner votre modèle dans une zone dégagée, à l'écart de voitures, du trafic et des personnes.
- Respectez toujours scrupuleusement les instructions et les mises en garde concernant ce produit et tous les équipements optionnels/complémentaires (chargeurs, batteries rechargeables, etc.) que vous utilisez.
- Tenez tous les produits chimiques, les petites pièces et les composants électroniques hors de portée des enfants.
- Évitez toujours d'exposer à l'eau tout équipement non spécifiquement conçu et protégé à cet effet. L'humidité endommage les composants électroniques.
- Ne léchez et ne mettez jamais en bouche quelque partie de votre modèle que ce soit - risque de blessures graves voire danger de mort.
- Toujours engager les gaz avant d'approcher de l'avion.
- Ne faites jamais fonctionner votre modèle lorsque les batteries de l'émetteur sont faibles.
- Gardez toujours le modèle à vue et gardez-en toujours le contrôle.
- Baissez toujours le manche des gaz lorsque les pales touchent un objet ou le sol.
- Utilisez toujours des batteries complètement chargées.
- Gardez toujours l'émetteur sous tension lorsque le modèle est en marche.
- Enlevez toujours les batteries avant le démontage.
- Veillez toujours à ce que les pièces en mouvement soient propres.
- Veillez toujours à ce que toutes les pièces soient sèches.
- Laissez toujours le temps aux pièces de refroidir avant de les toucher.
- Enlevez toujours les batteries après utilisation.
- Ne faites jamais voler un modèle dont le câblage est endommagé.
- Ne touchez jamais des pièces en mouvement.



AVERTISSEMENT CONTRE LES PRODUITS CONTREFAITS: Si vous devez remplacer un élément Spektrum équipant un produit Horizon Hobby, veuillez toujours vous le procurer chez Horizon Hobby, LLC ou chez un revendeur agréé afin d'être sûr d'obtenir un produit Spektrum original de haute qualité. Horizon Hobby, LLC décline tout service et garantie concernant la compatibilité et les performances des produits contrefaits ou des produits clamant la compatibilité avec la technologie Spektrum ou le DSM.

Table des matières

Configuration d'un émetteur des séries NX et DX	32	Inspections après-vol et Maintenance	39
Configuration d'un émetteur de la série iX	33	Réglage avancé (programmation prévisionnelle)	39
Installation de la batterie de vol	34	Guide de dépannage	41
Accélération Smart	35	Garantie limitée	41
Safe Technologie	35	Informations de contact pour garantie et réparation	42
Maintien des gaz	35	Information IC	42
Test des commandes	36	Informations de conformité pour l'Union européenne	42
Coupure par tension faible (LVC)	37	Vue Éclatée	56
Compréhension des commandes de vol de base	37	Pièces de Rechange	58
Check-list avant vol	38	Pièces Optionnelles	59
Pilotage de l'hélicoptère Blade Eclipse 360	38	Composants recommandés	59
Retrait des éléments mécaniques du fuselage	38		

Spécifications

Longueur	767mm	Diamètre du rotor de queue	120 mm
Hauteur	193mm	Poids de vol	935 g
Diamètre du rotor principal	767mm		

Composants

		BNF- Basic (BLH01250)
Structure de vol	Blade Eclipse 360	Inclus
Moteur principal	Moteur principal : Eclipse 360, (BLH01247)	Installé
Moteur de queue	Moteur de queue : Eclipse 360 (BLH01248)	Installé
Récepteur	Récepteur de télémétrie en série à distance DSMX SRXL2	Installé
Contrôleur de vol	Commande de vol de l'hélicoptère sans barre stabilisatrice FC6250HX (SPMFC6250HX)	Installé
Variateur de vitesse électronique	Variateur ESC double 30 A 15 A : Eclipse 360 (SPMXAHE3015)	Installé
Servos du plateau cyclique	Servo cyclique pour micro-hélicoptère à couple moyen et vitesse élevée H3050 Spektrum	Installé

Matériel nécessaire

Émetteur	Émetteur compatible avec DSM2®/DSMX®
Batterie de vol	Batterie Li-Po Smart 3S 11,1 V 2200 mAh - 3200 mAh 30C (ou plus) avec adaptateur IC3® (SPMX22003S30 est recommandé)
Chargeur de batterie	Compatible batterie Li-Po 3S (SPMXC2050 est recommandé)

Accessoires en option

RFL1205	Simulateur de vol RC RealFlight Trainer Edition
SPMWS2000	Clé électronique USB sans fil pour simulateur WS2000
SPMXP5A200	Smart G2 Powerstage : 3S 2200 mAh

Guide d'exécution

Scannez le code QR pour pouvoir consulter le guide d'exécution du produit qui vous donnera des informations sur l'ensemble Powerstage recommandé ainsi que les autres batteries et chargeurs compatibles.



Préparation avant le premier vol

- Retirez et inspectez le contenu
- Chargez la batterie de vol
- Installez la batterie de vol dans l'hélicoptère (une fois celle-ci entièrement chargée)
- Programmez votre émetteur
- Affectez votre émetteur
- Programmez les options de télémétrie Smart dans votre émetteur
- Familiarisez-vous avec les commandes
- Choisissez un espace de vol adapté

Liste de vérification avant le vol

- Allumez toujours l'émetteur en premier
- Activez le verrouillage des gaz
- Branchez la batterie de vol sur le câble du variateur ESC
- Laissez le variateur ESC s'initialiser et s'amorcer correctement
- Faites voler la maquette
- Faites atterrir la maquette
- Débranchez la batterie de vol du variateur ESC
- Éteignez toujours l'émetteur en dernier

Configuration d'un émetteur des séries NX et DX

1. Mettez l'émetteur en marche, cliquez sur la molette, allez à System Setup (Configuration du système) et cliquez sur la molette. Choisissez yes (oui).

2. Allez à Model Select (Sélectionner un modèle) et choisissez <Add New Model> (Ajouter un nouveau modèle) au bas de la liste. Le système demande si vous voulez créer un nouveau modèle, sélectionnez Create (Créer)

3. Définissez le Model Type (Type de modèle) : Sélectionnez Helicopter Model Type (Type de modèle d'hélicoptère) en choisissant l'hélicoptère.
Le système vous demande de confirmer le type de modèle, les données seront réinitialisées. Sélectionnez YES (COURBE)

4. Faites défiler vers le bas et sélectionnez Model Name (Nom du modèle) : entrez un nom pour votre fichier de modèle

5. Faites défiler vers le haut jusqu'à BACK (Retour) et appuyez sur la molette pour revenir à System Setup (Configuration du système)

6. Faites défiler vers le bas et sélectionnez F-Mode Setup (Configuration du mode de vol). Réglez sur : Commutateur 1 : Commutateur B
Hold Switch (Commutateur de maintien) : Commutateur H

7. Faites défiler vers le haut jusqu'à LIST (Liste) et appuyez sur la molette pour revenir à System Setup (Configuration du système)

8. Faites défiler vers le bas et sélectionnez Channel Assign (Attribution des canaux)
Faites défiler l'écran Channel Input Config. (Configuration des entrées de canaux) vers le bas et réglez le canal CH 5 Gear (Canal 3 engrenage) sur F-Mode (Mode de vol)

9. Faites défiler vers le haut jusqu'à LIST (Liste) et appuyez sur la molette pour revenir à System Setup (Configuration du système)

10. Sélectionnez <Main Screen> (Écran principal), cliquez sur la molette pour entrer dans la Function List (Liste des fonctions)

11. Faites défiler jusqu'à Rates and Expo (Débattements et Exponentiel) et appuyez sur la molette
Faites défiler vers le bas jusqu'à Channel (Canal) et sélectionnez Aileron
Définissez le Switch (Commutateur) : Switch F (Commutateur F)
Placez le Switch F (Commutateur F) en position 0
Choisissez High Rates (Grands débattements) : 100%/100 %, Expo (Exponentiel) 25%/25 %
Placez le Switch F (Commutateur F) en position 1
Choisissez High Rates (Grands débattements) : 100%/100 %, Expo (Exponentiel) 25%/25 %
Placez le Switch F (Commutateur F) en position 2
Choisissez Low Rates (Faibles débattements) : 75%/75 %, Expo (Exponentiel) 25%/25 %

12. Faites défiler vers le bas jusqu'à Channel (Canal) et sélectionnez Elevator (Gouverne de profondeur)
Définissez le Switch (Commutateur) : Switch F (Commutateur F)
Placez le Switch C (Commutateur C) en position 0
Choisissez High Rates (Grands débattements) : 100%/100 %, Expo (Exponentiel) 25%/25 %
Placez le Switch C (Commutateur C) en position 1
Choisissez High Rates (Grands débattements) : 100%/100 %, Expo (Exponentiel) 25%/25 %
Placez le Switch C (Commutateur C) en position 2
Choisissez Low Rates (Faibles débattements) : 75%/75 %, Expo (Exponentiel) 25%/25 %

13. Faites défiler vers le bas jusqu'à Channel (Canal) et sélectionnez Rudder (Gouverne de direction)
Définissez le Switch (Commutateur) : Switch F (Commutateur F)
Placez le Switch C (Commutateur C) en position 0
Choisissez High Rates (Grands débattements) : 100%/100 %, Expo (Exponentiel) 45%/45 %
Placez le Switch C (Commutateur C) en position 1
Choisissez High Rates (Grands débattements) : 100%/100 %, Expo (Exponentiel) 45%/45 %
Placez le Switch C (Commutateur C) en position 2
Choisissez Low Rates (Faibles débattements) : 75%/75 %, Expo (Exponentiel) 45%/45 %

14. Faites défiler vers le haut jusqu'à LIST (Liste) et appuyez sur la molette pour revenir à Function List (Liste des fonctions)

15. Faites défiler jusqu'à Throttle Curve (Courbe d'accélération) et appuyez sur la molette
Faites défiler jusqu'à la case N pour sélectionner la courbe et appuyez sur la molette pour sélectionner la courbe Normal (Normale)
Réglez les valeurs de la courbe comme suit :

1	2	3	4	5
0	50	63	75	90

16. Faites défiler jusqu'à la case n°1 pour sélectionner la courbe et appuyez sur la molette pour sélectionner la courbe Stunt #1 (Acrobatie n°1)
Réglez les valeurs de la courbe comme suit :

1	2	3	4	5
90	90	90	90	90

17. Faites défiler jusqu'à la case n°2 pour sélectionner la courbe et appuyez sur la molette pour sélectionner la courbe Stunt #2 (Acrobatie n°2)
Réglez les valeurs de la courbe comme suit :

1	2	3	4	5
100	100	100	100	100

18. Faites défiler jusqu'à la case H pour sélectionner la courbe et appuyez sur la molette pour sélectionner la courbe Hold (Maintien)
Réglez les valeurs de la courbe comme suit :

1	2	3	4	5
0	0	0	0	0

19. Faites défiler vers le haut jusqu'à LIST (Liste) et appuyez sur la molette pour revenir à Function List (Liste des fonctions)

20. Faites défiler jusqu'à la courbe Pitch (Tangage) et appuyez sur la molette
Faites défiler jusqu'à la case N pour sélectionner la courbe et appuyez sur la molette pour sélectionner la courbe Normal (Normale)
Réglez les valeurs de la courbe comme suit :

1	2	3	4	5
30	40	50	75	100

21. Faites défiler jusqu'à la case n°1 pour sélectionner la courbe et appuyez sur la molette pour sélectionner la courbe Stunt #1 (Acrobatie n°1)
Réglez les valeurs de la courbe comme suit :

1	2	3	4	5
0	25	50	75	100

22. Faites défiler jusqu'à la case n°2 pour sélectionner la courbe et appuyez sur la molette pour sélectionner la courbe Stunt #2 (Acrobatie n°2)
Réglez les valeurs de la courbe comme suit :

1	2	3	4	5
0	25	50	75	100

23. Faites défiler jusqu'à la case H pour sélectionner la courbe et appuyez sur la molette pour sélectionner la courbe Hold (Maintien)
Réglez les valeurs de la courbe comme suit :

1	2	3	4	5
30	40	50	75	100

24. Faites défiler vers le haut jusqu'à LIST (Liste) et appuyez sur la molette pour revenir à Function List (Liste des fonctions)

25. Faites défiler vers le bas jusqu'à Mixing (Mixage) et appuyez sur la molette
Sélectionnez Mix 1, puis Normal
Sélectionnez le premier INH (INACTIF) (pour le maître) et sélectionnez le commutateur I
Sélectionnez le deuxième INH (INACTIF) (pour l'esclave) et sélectionnez le canal Gear (Engrenage)
Réglez la première valeur Rate (Débattement) à 0 % et la seconde à -125 %.
Réglez la valeur Offset (Décalage) à 100
Réglez le Switch (Commutateur) sur le bouton I

26. Faites défiler vers le haut jusqu'à LIST (Liste) et appuyez sur la molette pour revenir à Function List (Liste des fonctions)

27. Faites défiler vers le bas jusqu'à Timer (Minuteur) et appuyez sur la molette
Réglez sur ;
Mode : Count Down (Compte à rebours)
Time (Durée) : 5:00
Start (Départ) : Throttle Out (Sortie de gaz)
Over (Au-dessus) : 25 %
One Time (Une fois) : Inhibit (Inhiber)

28. Faites défiler vers le haut jusqu'à LIST (Liste) et appuyez sur la molette pour revenir à Function List (Liste des fonctions)

29. Faites défiler vers le haut jusqu'à <Main Screen> (Écran principal) et appuyez sur la molette

Consultez la section Smart Throttle (Accélérateur Smart) pour plus d'informations sur la configuration de la télémétrie

Configuration d'un émetteur de la série iX

- Mettez l'émetteur en marche et commencez dès que l'application Spektrum Airware est ouverte. Sélectionnez l'icône du crayon orange dans le coin supérieur gauche de l'écran, le système demande l'autorisation de Turn Off RF (Désactiver le RF), sélectionnez PROCEED (POUR SUIVRE)
- Sélectionnez les trois points en haut à droite de l'écran, sélectionnez Add a New Model (Ajouter un nouveau modèle)
- Sélectionnez Model Option (Option de modèle), choisissez DEFAULT (PAR DÉFAUT), sélectionnez Helicopter (Hélicoptère). Le système demande si vous voulez créer un nouveau modèle heli, sélectionnez Create (Créer)
- Sélectionnez le dernier modèle sur la liste, appelé Heli. Tapez sur Acro et renommez le fichier avec un nom de votre choix
- Maintenez enfoncée la flèche retour dans le coin supérieur gauche de l'écran pour revenir à l'écran principal
- Tapez sur le bouton Model Setup (Configuration du modèle)
- Paramétrez le Flight Mode Setup (Configuration du mode de vol)
Commutateur 1 : Commutateur B
Hold Switch (Commutateur de maintien) : Commutateur H
Tapez sur la flèche en haut à gauche pour revenir au menu Model Setup (Configuration du modèle)
- Définissez le Channel Assign (Attribution du canal)
Paramétrez Channel Input Config (Configuration d'entrée de canal) : réglez le canal CH 5 Gear (Canal 5 engrenage) sur Flight Mode (Mode de vol)
Tapez sur la flèche en haut à gauche pour revenir au menu Model Setup (Configuration du modèle)
Tapez sur la flèche en haut à gauche pour retourner à l'écran principal
- Tapez sur le bouton Model Adjust (Ajuster le modèle)
- Tapez sur Dual Rates and Exponential (Double débattement et exponentiels);
Tapez sur l'onglet déroulant au niveau de Channel (Canal) et sélectionnez Aileron
Réglez le Switch (Commutateur) : Switch F (Commutateur F)
Placez le Switch F (Commutateur F) en position 0
Choisissez High Rates (Grands débattements) : 100 %/100 %, Expo (Exponentiel) 25 %/25 %
Placez le Switch F (Commutateur F) en position 1
Choisissez High Rates (Grands débattements) : 100 %/100 %, Expo (Exponentiel) 25 %/25 %
Placez le Switch F (Commutateur F) en position 2
Choisissez Low Rates (Faibles débattements) : 75 %/75 %, Expo (Exponentiel) 25 %/25 %
- Tapez sur l'onglet déroulant au niveau de Channel (Canal) et sélectionnez Elevator (Gouverne de profondeur)
Réglez le Switch (Commutateur) : Switch F (Commutateur F)
Placez le Switch C (Commutateur C) en position 0
Choisissez High Rates (Grands débattements) : 100 %/100 %, Expo (Exponentiel) 25 %/25 %
Placez le Switch C (Commutateur F) en position 1
Choisissez High Rates (Grands débattements) : 100 %/100 %, Expo (Exponentiel) 25 %/25 %
Placez le Switch C (Commutateur C) en position 2
Choisissez Low Rates (Faibles débattements) : 75 %/75 %, Expo (Exponentiel) 25 %/25 %
- Tapez sur l'onglet déroulant au niveau de Channel (Canal) et sélectionnez Rudder (Gouverne de direction)
Réglez le Switch (Commutateur) : Switch F (Commutateur F)
Placez le Switch C (Commutateur C) en position 0
Choisissez High Rates (Grands débattements) : 100 %/100 %, Expo (Exponentiel) 45 %/45 %
Placez le Switch C (Commutateur F) en position 1
Choisissez High Rates (Grands débattements) : 100 %/100 %, Expo (Exponentiel) 45 %/45 %
Placez le Switch C (Commutateur C) en position 2
Choisissez Low Rates (Faibles débattements) : 75 %/75 %, Expo (Exponentiel) 45 %/45 %
- Tapez sur la flèche en haut à gauche pour revenir au menu Model Adjust (Ajustement du modèle)
- Tapez sur la courbe Throttle (Gaz)
Assurez-vous que le commutateur H est en position 0
Placez le commutateur B en position 0 pour sélectionner la courbe Normal (Normale). Réglez les valeurs de la courbe comme suit :

1	2	3	4	5
0	50	63	75	90
- Placez le commutateur B sur la position 1 pour sélectionner la courbe Stunt #1 (Acrobatie n°1)
Réglez les valeurs de la courbe comme suit :

1	2	3	4	5
90	90	90	90	90
- Placez le commutateur B sur la position 2 pour sélectionner la courbe Stunt #2 (Acrobatie n°2)
Réglez les valeurs de la courbe comme suit :

1	2	3	4	5
100	100	100	100	100
- Placez le commutateur H sur la position 1 pour sélectionner la courbe Hold (Maintien)
Réglez les valeurs de la courbe comme suit :

1	2	3	4	5
0	0	0	0	0
- Tapez sur la flèche en haut à gauche pour revenir au menu Model Adjust (Ajustement du modèle)

- Tapez sur la courbe Pitch (Tangage)
Assurez-vous que le commutateur H est en position 0
Placez le commutateur B en position 0 pour sélectionner la courbe Normal (Normale). Réglez les valeurs de la courbe comme suit :

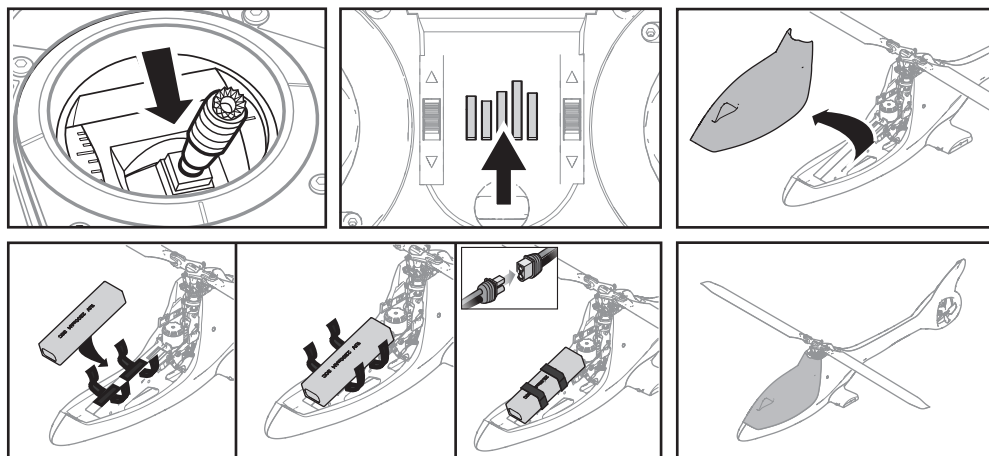
1	2	3	4	5
30	40	50	75	100
- Placez le commutateur B sur la position 1 pour sélectionner la courbe Stunt #1 (Acrobatie n°1)
Réglez les valeurs de la courbe comme suit :

1	2	3	4	5
0	25	50	75	100
- Placez le commutateur B sur la position 2 pour sélectionner la courbe Stunt #2 (Acrobatie n°2)
Réglez les valeurs de la courbe comme suit :

1	2	3	4	5
0	25	50	75	100
- Placez le commutateur H sur la position 1 pour sélectionner la courbe Hold (Maintien)
Réglez les valeurs de la courbe comme suit :

1	2	3	4	5
30	40	50	75	100
- Tapez sur la flèche en haut à gauche pour revenir au menu Model Adjust (Ajustement du modèle)
- Tapez sur Mixing (Mixage)
Sélectionnez P-Mix 1, puis Normal
Sélectionnez le premier INH (INACTIF) (pour le maître) et sélectionnez le commutateur I
Sélectionnez le deuxième INH (INACTIF) (pour l'esclave) et sélectionnez le canal Gear (Engrenage)
Réglez la première valeur Rate (Débattement) à 0 % et la seconde à -125 %.
Réglez la valeur Offset (Décalage) à 100
Réglez le Switch (Commutateur) sur le bouton I
- Tapez sur <Back> (Retour) dans le coin supérieur droit pour revenir au menu Mixing (Mixage)
- Tapez sur la flèche en haut à gauche pour revenir au menu Model Adjust (Ajustement du modèle)
- Tapez sur la flèche dans le coin supérieur gauche pour revenir à l'écran principal
- Tapez sur l'icône de l'horloge dans la case Timer 1 (Minuteur 1)
Réglez sur;
Mode : Count Down (Compte à rebours)
Time (Durée) : 5:00
Switch (Commutateur) : Throttle Out (Sortie de gaz)
Over Under Trigger (Déclenchement au-dessus ou en-dessous) : 25 %
One Time (Une fois) : Inhibit (Inhiber)
- Tapez sur la flèche dans le coin supérieur gauche pour revenir à l'écran principal

Consultez la section Smart Throttle (Accélérateur Smart) pour plus d'informations sur la configuration de la télémétrie



1. Abaissez les gaz.
2. Allumez l'émetteur.
3. Centrez tous les compensateurs.
4. Pour laisser l'ESC s'armer et pour empêcher les rotors de s'allumer au démarrage, activez le maintien des gaz et le mode de vol normal avant de connecter la batterie de vol.
5. Fixez la partie à crochets de la bande Velcro sur le châssis de l'hélicoptère et la partie à boucles sur la batterie.
6. Installez la batterie de vol sur le châssis de l'hélicoptère. Fixez la batterie de vol à l'aide des bandes velcro.

ATTENTION : Assurez-vous que la batterie de vol, le fil et le connecteur ne sont pas en contact avec le moteur. Dans le cas contraire, le moteur, le variateur ESC et la batterie risquent de surchauffer, entraînant un crash et des dommages matériels et des blessures.

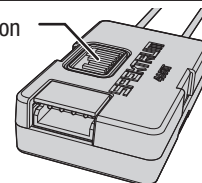
7. Affectez votre émetteur à l'hélicoptère pour établir une connexion. Consultez la section Affectation ci-dessous pour de plus amples informations.
8. Raccordez le câble de la batterie au variateur ESC. Le plateau cyclique se centrera, indiquant que l'appareil est prêt. La DEL d'état du contrôleur de vol clignotera lentement en vert une fois l'initialisation terminée.
9. Le moteur de l'hélicoptère émettra une série de tonalités, indiquant que le variateur ESC est armé.

ATTENTION : Débranchez toujours la batterie Li-Po du câble d'alimentation du variateur ESC lorsque l'appareil n'est pas en vol pour éviter toute décharge excessive. Les batteries déchargées sous la tension minimale approuvée peuvent s'endommager, entraînant une baisse de performance et un risque d'incendie lorsque les batteries sont rechargées.

Affectation de l'émetteur et du récepteur

L'affectation est le processus de programmation du récepteur qui vise à reconnaître le code GUID (identificateur global unique) d'un émetteur unique spécifique. Vous devez « affecter » au récepteur l'émetteur de l'appareil équipé de la technologie DSM2®/DSMX® Spektrum™ que vous avez choisie pour un bon fonctionnement de l'appareil. Le récepteur de l'hélicoptère Smart 330 S se trouve sur le support du châssis inférieur. Le bouton d'affectation se situe au centre du boîtier, décalé sur le côté, avec le logo Spektrum (barres) sur la surface du bouton.

Bouton d'affectation



BNF BASIC Votre appareil BNF doit être affecté à votre émetteur pour établir une connexion. Suivez les consignes ci-dessous.

1. Programmez votre émetteur à l'aide de la section Configuration de l'émetteur de ce manuel.
2. Abaissez la manette des gaz à la position la plus basse, définissez le mode de vol en mode normal (mode de stabilité) et activez le maintien des gaz. Mettez tous les compensateurs en position centrale.
3. Éteignez l'émetteur ou coupez le signal RF si vous utilisez un émetteur Spektrum séries NX ou iX.
4. Raccordez la batterie de vol au variateur ESC.
5. Appuyez sur le bouton d'affectation sur le récepteur à distance pour lancer l'affectation. La DEL orange sur le récepteur se mettra à clignoter rapidement pour indiquer le mode d'affectation.
6. Suivez les procédures de votre propre émetteur spécifique pour entrer en mode d'affectation. Le système se connectera en quelques secondes. Une fois connecté, la DEL orange sur le récepteur se fixera en orange.
7. Débranchez la batterie de vol et éteignez votre émetteur (ou RF OFF (coupée) pour les émetteurs Spektrum de la série iX).

Si vous rencontrez des difficultés, suivez les consignes d'affectation et consultez le guide de dépannage de l'émetteur pour obtenir des instructions supplémentaires. Au besoin, contactez le bureau du service après-vente d'Horizon approprié.

Indicateur DEL sur contrôleur de vol

Description d'indicateur	
Vert clignotant lentement	Prêt à voler
Rouge clignotant lentement	Failsafe (sécurité intégrée) actif
Cyan clignotant lentement	Mode programmation prévisionnelle
Lumière clignotante jaune (pendant l'étalonnage)	L'étalonnage se déroule normalement
Lumière clignotante rouge (pendant l'étalonnage)	Erreur d'étalonnage, le FC n'est pas à niveau ou est déplacé durant l'étalonnage

Accélération Smart

Le variateur ESC de cet hélicoptère associé au contrôleur de vol FC6250HX et au récepteur 4651T permet d'utiliser la technologie Smart. Ce système peut fournir plusieurs données de télémétrie liées au système de puissance en temps réel pendant le vol, y compris le régime moteur, le courant, la tension de la batterie, entre autres, à des émetteurs dotés de AirWare™ de Spektrum compatibles.

Pendant l'affectation, votre émetteur effectuera une configuration auto qui enrichira la page de télémétrie. Il peut être nécessaire de changer les valeurs de télémétrie en fonction de l'appareil et de vos besoins.

Pour accéder aux valeurs de télémétrie :

(Pour les émetteurs série iX, vous devez sélectionner Save [enregistrer] sur chaque page)

1. Allumez l'émetteur.
2. Activez le maintien des gaz.
3. Allumez l'appareil et laissez-le s'initialiser.
4. Sur votre émetteur, rendez-vous dans la **Function List (Liste des fonctions) (Model Setup (Configuration du modèle))** sur les émetteurs de la série iX).

SAFE Technologie

La technologie révolutionnaire SAFE (Système d'entraînement assisté par capteurs) utilise la combinaison de capteurs sur différents axes et un logiciel permettant au modèle de connaître sa position par rapport à l'horizon. Cette reconnaissance de l'espace est utilisée pour générer un domaine de vol sécurisé en limitant les angles afin de piloter en sécurité. Au-delà de la stabilité, cette protection offre de multiples modes au choix du pilote pour développer son niveau de pilotage avec un degré élevé de sécurité tout en conservant toujours les sensations et la réponse.

Sélection du mode de vol et de la cadence

Les hélicoptères à pas collectif utilisent trois modes de vol motorisés : Normal, Stunt 1 (Acrobatie 1) et Stunt 2 (Acrobatie 2).

L'Eclipse 360 a la stabilité SAFE activée en mode Normal. La tête de rotor tourne à un faible régime et l'angle d'inclinaison est limité. Lorsque le manche cyclique est relâché, l'appareil revient à niveau.

En mode Stunt 1 (Acrobatie 1) et Stunt 2 (Acrobatie 2), la stabilité SAFE de l'Eclipse 360 est désactivée et la technologie AS3X n'est utilisée que pour faire réagir l'appareil en fonction des entrées de commande. L'angle d'inclinaison n'est pas limité. Lorsque le manche cyclique est relâché, l'appareil ne revient pas à niveau.

Stunt 1 (Acrobatie 1) a une vitesse de tête modérée pour le vol vers l'avant et la voltige sportive.

Utilisation des modes de vol

Commutateur B

- 0 = Normal, SAFE activé
- 1 = Stunt 1 (Acrobatie 1), SAFE désactivé
- 2 = Stunt 2 (Acrobatie 2), SAFE désactivé

Le mode Panique

Si vous vous retrouvez en difficulté en vol, appuyez sur l'interrupteur Affectation/Panique (Bind/Panic), maintenez-le appuyé et mettez les commandes au neutre. La technologie SAFE permettra à votre hélicoptère de se stabiliser, si votre aéronef est à une altitude suffisante sans aucun obstacle sur son chemin. Remettez le manche du collectif à 50% et relâchez l'interrupteur Panique pour désactiver le mode Panique et revenir au mode de vol original.

Utilisation du mode d'urgence

Bouton Bind (Affectation) / I

- Enfoncé = Mode d'urgence activé
- Relâché = Mode d'urgence désactivé

Maintien des gaz

Le Throttle Hold (Maintien des gaz) coupe seulement le courant du moteur sur un hélicoptère électrique. Vous conservez le contrôle de l'inclinaison et de la direction.

Les pales tourneront si le Throttle Hold (Maintien des gaz) est sur OFF (éteint). Pour plus de sécurité, mettez le Throttle Hold (Maintien des gaz) sur ON (allumé) dès

Utilisation du Throttle Hold (Maintien des gaz)

Commutateur H

- 0 = Le moteur fonctionne normalement
- 1 = Le Throttle Hold (Maintien des gaz) est sur ON (allumé), le moteur ne tourne pas

5. Sélectionnez l'option de menu **Telemetry (Télémétrie)**.
6. Rendez-vous dans l'option de menu **Smart Battery** (batterie Smart).
7. Faites défiler vers le bas jusqu'à **Startup Volts** (Tension au démarrage), saisissez **4.0V/cell**.
8. Revenez au menu **Telemetry** (Télémétrie).
9. Rendez-vous dans l'option de menu **Smart ESC** (variateur ESC Smart).
10. Faites défiler vers le bas jusqu'à **Total Cells** (Nombre total de cellules), saisissez **3**.
11. Faites défiler vers le bas jusqu'à **Low Voltage Alarm** (Alarme de tension faible), saisissez **3,2V/cell** et réglez sur **Voice** (Voix).
12. Faites défiler vers le bas jusqu'à **Poles** (pôles), saisissez **8**.
13. Faites défiler vers le bas jusqu'à **Ratio**, saisissez **9.64:1**
14. Revenez à l'écran principal.

La technologie SAFE apporte:

- Une protection du domaine de vol qui s'active avec un simple basculement d'un interrupteur.
- Des modes différents pour adapter instantanément la technologie SAFE à votre niveau de pilotage.

Par dessus tout, la technologie SAFE bien que très sophistiquée, ne nécessite aucune opération pour en profiter. Chaque appareil équipé de la technologie SAFE est livré prêt à l'emploi et est optimisé pour offrir la meilleure expérience de vol possible.

Stunt 2 (Acrobatie 2) a une vitesse de tête plus élevée et peut être utilisé pour de la voltige plus avancée.

Changez les taux de contrôle dans n'importe quel mode en déplaçant le commutateur de débattement (commutateur F).

- Les petits débattements (position 2 du commutateur) réduisent les taux de contrôle, ce qui rend le modèle plus facile à contrôler. Il est recommandé aux débutants d'utiliser de petits débattements pour les premiers vols.
- Les grands débattements (positions 0 et 1 du sélecteur) permettent un contrôle total et doivent être utilisés par les pilotes intermédiaires et expérimentés.

REMARQUE: Avant de relâcher l'interrupteur Panique, assurez-vous que le manche du collectif est bien sur la position 50%. Une fois que le bouton Panique a été relâché, le collectif négatif est disponible ce qui pourrait causer la chute du 330 S Smart.

- Ce mode permet aux pilotes qui le désirent d'améliorer leurs performances de vol.
- Mettez le collectif sur 50% et remettez toutes les autres commandes de l'émetteur au neutre pour l'assistance la plus rapide.
- Une fois que le modèle s'est stabilisé, le collectif négatif est réduit, empêchant ainsi l'utilisateur de précipiter le modèle vers le sol.

que vous devez toucher l'hélicoptère ou vérifier les contrôles de direction.

Le Throttle Hold (Maintien des gaz) est aussi utilisé pour couper le moteur si l'hélicoptère est incontrôlable, risque de s'écraser ou les deux.

Test des commandes

ATTENTION: Il vous faut, avant d'effectuer un vol, avoir effectué les tests de Direction et de Cyclique. Ne pas avoir effectué ces tests qui permettent de s'assurer que les directions du capteur ne sont pas inversées, comporte le risque d'écrasement au sol de l'hélicoptère, avec pour conséquences des dégâts matériels et des blessures corporelles.

Cyclique

Il est normal que le plateau de cyclique revienne, après une entrée de manche, lentement à sa position d'origine et que les servos ne bougent pas à la même vitesse que vos manettes de commande.

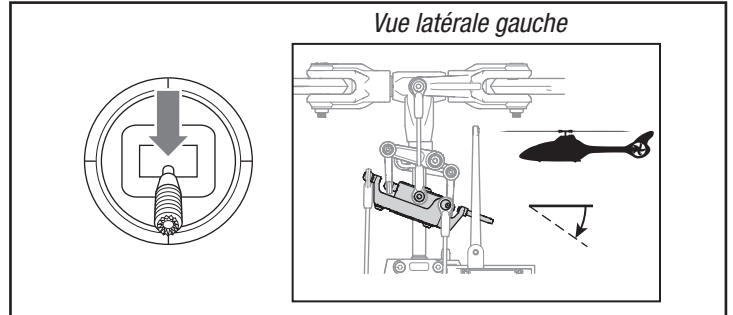
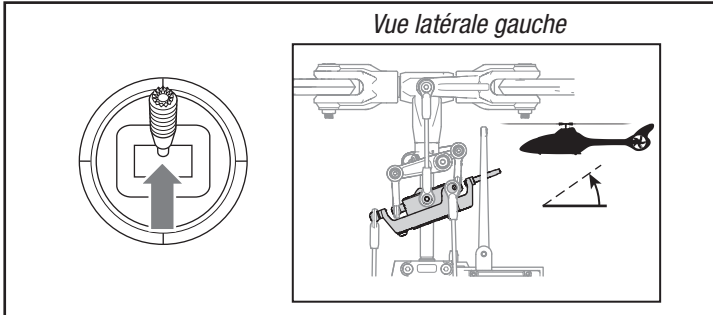
- Basculez l'hélicoptère vers l'avant. Le plateau cyclique devrait basculer vers l'arrière.
- Basculez l'hélicoptère vers l'arrière. Le plateau cyclique devrait basculer vers l'avant.
- Inclinez l'hélicoptère vers la gauche. Le plateau cyclique devrait s'incliner vers la droite.
- Inclinez l'hélicoptère vers la droite. Le plateau cyclique devrait s'incliner vers la gauche.

Cyclic and Collective Control Test

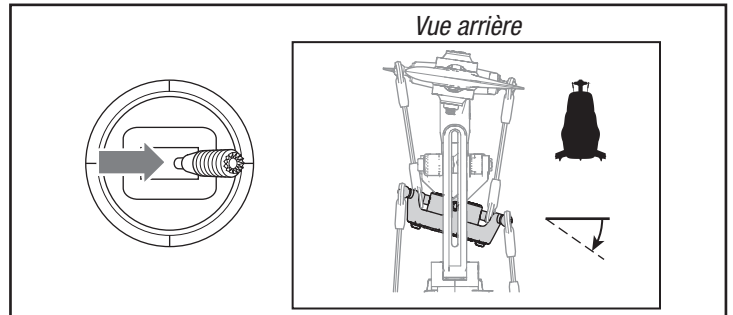
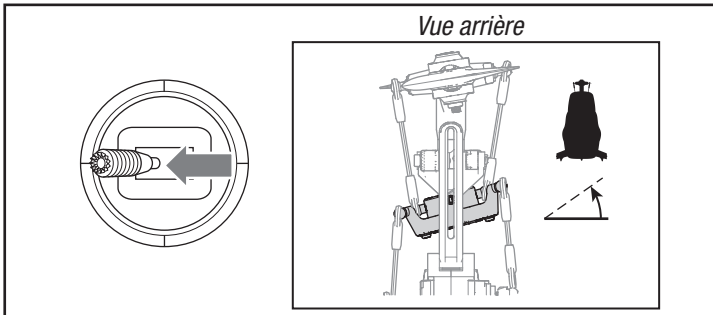
Ensure the throttle hold is ON when performing the direction control tests. Test the controls prior to each flight to ensure the servos, linkages and parts

operate correctly. If the controls do not react as shown in the illustrations below, confirm the transmitter is programmed correctly before continuing on to the **Motor Test**.

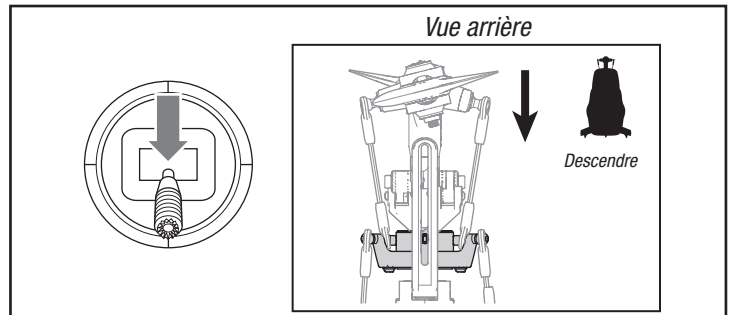
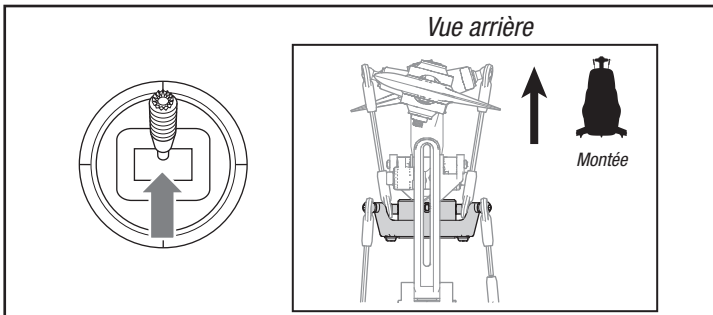
Gouverne de profondeur/ cyclique avant et arrière



Aileron/ cyclique gauche et droit



Collective Pitch



Test du moteur

Placez l'hélicoptère à l'extérieur sur une surface propre, plate et à niveau (du béton ou de l'asphalte) sans obstructions. Restez toujours à l'écart des pales de rotor en mouvement.

AVERTISSEMENT : Le moteur tourne lorsque les gaz sont augmentés et que le Throttle Hold (Maintien des gaz) est sur OFF (éteint).

1. Vérifiez la direction des plateaux cycliques pour vous assurer qu'ils se déplacent dans le bon sens. Veuillez vous référer aux diagrammes de la page précédente.

AVERTISSEMENT : Restez à au moins 10 mètres (30 pieds) de l'hélicoptère lorsque le moteur tourne.
N'essayez pas de piloter l'hélicoptère à ce moment-là.

Coupure par tension faible (LVC)

Le CEV (ESC) ne cessera de diminuer la puissance fournie au moteur jusqu'à la coupure complète lorsque la batterie atteint une tension de 12 V sous charge. Ceci permet d'éviter que la batterie Li-Po ne subisse une décharge trop « profonde ». Posez-vous immédiatement lorsque le CEV active la coupure par tension faible (LVC). Continuer à voler après une coupure par tension faible (LVC = Low Voltage Cutoff) peut endommager la batterie ou entraîner un écrasement au sol, voire les deux. Les dommages suite à un écrasement au sol et des batteries endommagées suite à une décharge trop profonde ne sont pas couvertes par la garantie.

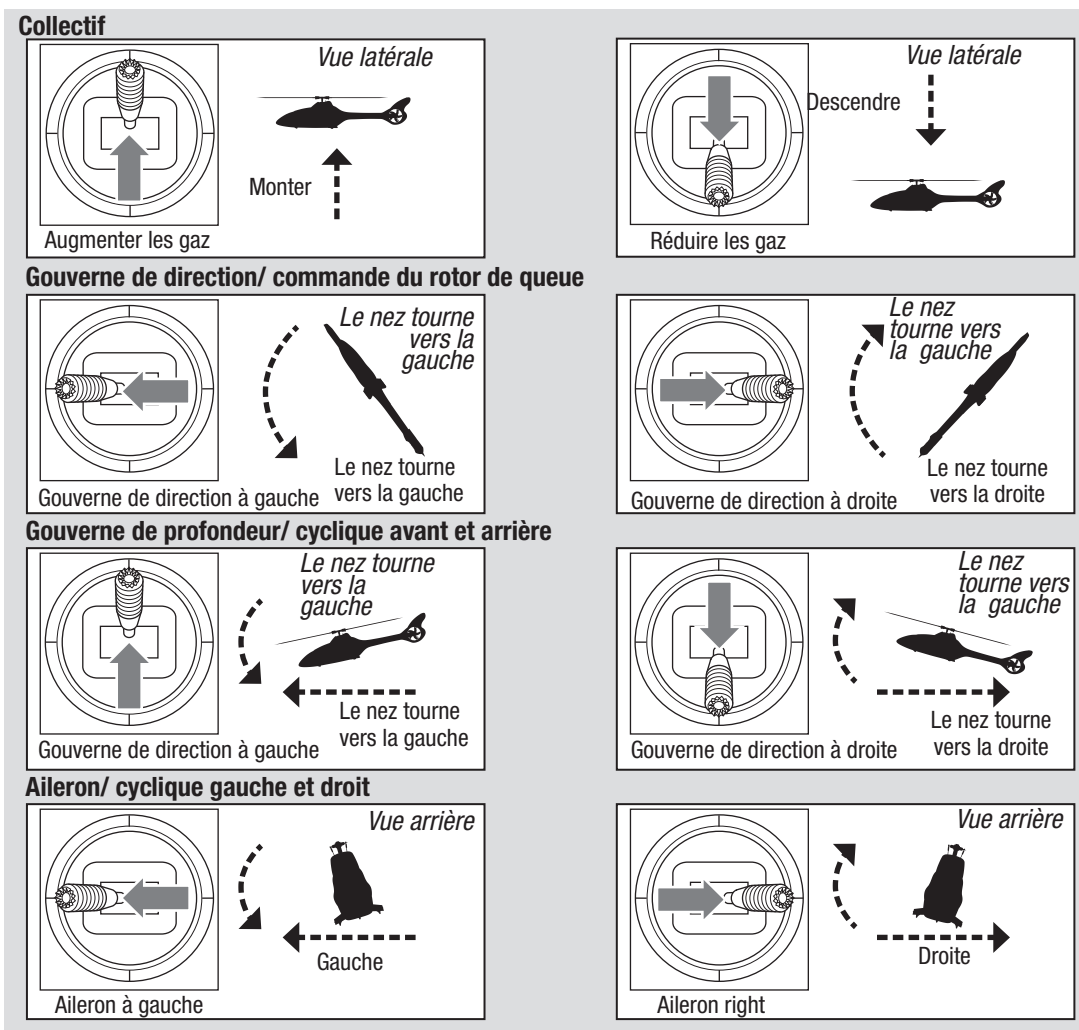
Compréhension des commandes de vol de base

Si vous n'avez pas encore bien assimilé les commandes de votre 330 S hélicoptère, prenez quelques minutes pour vous familiariser avec elles avant de tenter votre premier vol.

2. Assurez-vous que les gaz sont complètement abaissés et que l'hélicoptère est en mode de vol Normal.
3. Désactivez le Throttle Hold (Maintien des gaz).
4. Augmentez lentement les gaz jusqu'à ce que les pales commencent à tourner. Les pales principales tournent dans le sens des aiguilles d'une montre du point de vue au-dessus de l'hélicoptère. Les pales du rotor de queue tournent dans le sens inverse des aiguilles d'une montre du point de vue à droite de l'hélicoptère.
5. Activez Throttle Hold (maintien des gaz).

Faire constamment voler l'hélicoptère jusqu'à ce que la coupure par tension faible (LVC) s'active, endommagera la batterie de l'hélicoptère.

Déconnectez et sortez la batterie Li-Po de l'avion après utilisation afin d'éviter une décharge au goutte à goutte. Pendant le stockage, assurez-vous que la charge de la batterie ne tombe pas en-deçà de 3 V par cellule.



Check-list avant vol

- Contrôlez toutes les vis et assurez-vous qu'elles sont bien serrées
- Contrôlez la tension de la courroie et assurez-vous que cette dernière n'est ni trop lâche ni trop tendue
- Contrôlez les pales principales et les pales du rotor de queue pour vous assurer qu'elles ne sont pas endommagées
- Contrôlez tous les commandes et assurez-vous qu'elles bougent librement mais qu'elles ne sortent pas facilement
- Contrôlez la batterie de vol et la batterie de l'émetteur pour vous assurer qu'elles sont à pleine charge
- Contrôlez tous les câbles pour vous assurer qu'ils ne sont ni coupés, ni coincés, ni mis à nu par frottement et qu'ils sont sécurisés correctement
- Contrôlez toutes des connexions de câbles
- Contrôlez les engrenages et assurez-vous qu'il ne manque pas la moindre dent
- Effectuez un test de commande complet
- Contrôlez le fonctionnement correct des servos
- Contrôlez la sécurisation correcte de la batterie de vol
- Assurez-vous que tous les composants électroniques sont correctement fixés

Pilotage de l'hélicoptère Blade Eclipse 360

Consultez les lois et ordonnances locales avant de choisir un espace de vol.

Choisissez une grande zone ouverte, à l'écart des gens et des objets. Vos premiers vols devraient s'effectuer à l'extérieur lorsque le vent est faible. Restez toujours à au moins 10 mètres (30 pieds) de l'hélicoptère lorsqu'il vole.

Le Blade Eclipse 360 est destiné à être piloté en extérieur par des pilotes intermédiaires ou expérimentés.

Décollage

Le variateur ESC de l'Eclipse 360 utilise une fonction de démarrage doux. Relevez la manette des gaz/collectif jusqu'à la position médiane et la vitesse de tête commencera lentement à augmenter le régime. Une fois que la vitesse de tête est constante (l'accélération prend environ 10 secondes), relevez lentement la manette des gaz/collectif jusqu'à ce que le modèle décolle du sol. Mettez-vous en stationnaire à au moins 0,6 m (24 po) de hauteur, hors d'effet de sol.

ATTENTION : toute action importante sur les commandes de roulis ou de tangage lorsque l'hélicoptère est au sol peut entraîner un crash.

Vol

Il est recommandé d'effectuer les premiers vols en mode normal et avec de faibles débattements du cyclique et du rotor de queue jusqu'à ce que vous soyez familiarisé avec le mode de pilotage de l'hélicoptère.



ATTENTION : faites toujours voler l'hélicoptère dos au soleil et au vent afin d'éviter toute perte de contrôle.

Atterrissage

Mettez-vous en stationnaire à faible altitude. Réduisez délibérément les gaz jusqu'à ce que l'hélicoptère se pose.

Lorsque l'hélicoptère est en mode acrobatique :

- La vitesse de la tête de rotor est constante.
- Le rotor principal augmente le tangage négatif lorsque la manette des gaz/collectif est déplacée de la position médiane du manche à la position basse du manche. Le tangage négatif permet à l'hélicoptère de voler à l'envers et de faire de la voltige.

Passez du mode normal au mode acrobatique en vol stationnaire en plaçant la manette des gaz près de la position de la manette de vol stationnaire.



AVERTISSEMENT : N'utilisez pas de pales principales en bois avec le Blade Eclipse 360, pour éviter tout risque de blessure et/ou de dommage matériel. N'utilisez que des pales principales de rechange Blade Eclipse 360.

Retrait des éléments mécaniques du fuselage

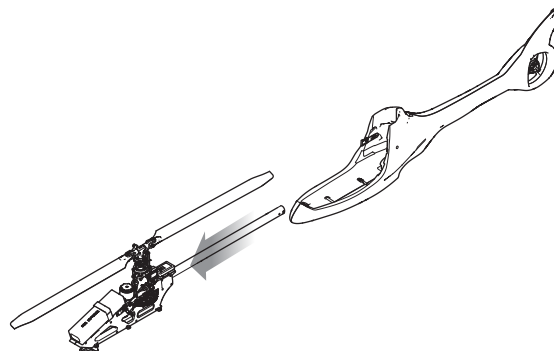
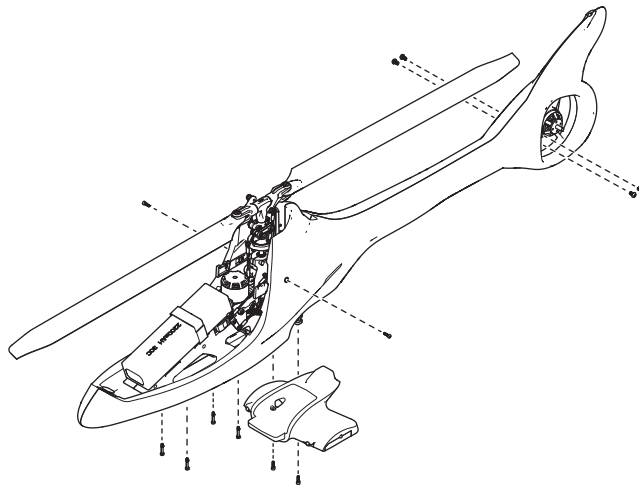
Pour retirer les éléments mécaniques du fuselage :

1. Retirez les quatre vis du support du moteur de queue.
2. Retirez les deux vis situées sur le côté du fuselage et les six vis situées sous le fuselage.
3. Retirez la trappe inférieure du fuselage.
4. Débranchez les éclairages du faisceau de câbles.

5. Retirez partiellement du fuselage les éléments mécaniques et la poutre de queue.
6. Retirez l'ensemble du moteur de queue du fuselage
7. Débranchez le moteur de queue.
8. Terminez le retrait de la mécanique et de la poutre de queue du fuselage.

Pour réinstaller le fuselage :

répétez l'opération dans l'ordre inverse.



Inspections après-vol et Maintenance

Articulations à bille	Assurez-vous que l'articulation à bille en plastique maintient la rotule de commande en place, mais sans la comprimer (grippage). En revanche, un serrage insuffisant de l'articulation peut entraîner sa séparation de la rotule pendant un vol et provoquer la chute de l'appareil. Remplacez les articulations à bille usées avant qu'elles ne deviennent défectueuses.
Cleaning Nettoyage	Assurez-vous que la batterie n'est pas branchée avant de procéder au nettoyage. Enlevez la poussière et les débris à l'aide d'une brosse souple ou d'un chiffon sec non pelucheux.
Roulements	Remplacez les roulements lorsqu'ils deviennent endommagés.
Fils électriques	Assurez-vous que les fils ne bloquent pas les pièces mobiles. Remplacez les fils endommagés et les connecteurs desserrés.
Fixations	Vérifiez que les vis et autres fixations et connecteurs ne sont pas desserrés. Ne serrez pas trop les vis métalliques dans les pièces en plastique. Serrez les vis de manière à assembler les pièces, puis appliquez 1/8ème de tour supplémentaire seulement.
Rotors	Vérifiez que les pales de rotors et autres pièces tournant à vitesse élevée ne sont pas endommagées, c'est-à-dire fissurées, déformées, ébréchées ou rayées. Remplacez les pièces endommagées avant d'effectuer un vol.
Contrôleur de vol	Vérifiez que le contrôleur de vol est solidement fixé au châssis. Remplacez le ruban adhésif double-face au besoin. L'hélicoptère tombera si le contrôleur de vol se sépare du châssis de l'hélicoptère.

Réglage avancé (programmation prévisionnelle)

Ce qui suit s'applique aux émetteurs Spektrum permettant la programmation en aval. Consultez le manuel de votre émetteur ou consultez le site SpektrumRC.com pour obtenir une liste complète des émetteurs permettant la programmation en aval.

Les paramètres par défaut du Blade Eclipse 360 conviennent à la plupart des utilisateurs. Nous recommandons de voler avec les paramètres par défaut avant d'effectuer tout réglage.

Le contrôleur de vol Blade Eclipse 360 BNF peut être programmé à partir de n'importe quel émetteur Spektrum compatible (consultez SpektrumRC.com pour

en savoir plus).

Le contrôleur de vol livré avec les modèles BNF est spécifiquement configuré pour l'hélicoptère Blade Eclipse 360 en utilisant les composants électroniques fournis et n'est pas destiné à être utilisé dans d'autres appareils.

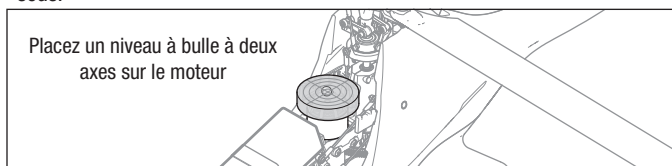
Entrée dans le menu des Paramètres avancés

Avec l'hélicoptère affecté à l'émetteur et allumé, entrez dans la Fonction List (liste des fonctions) et sélectionnez Forward Programming (programmation prévisionnelle). Effectuez de petits changements sur un paramètre à la fois et testez les changements en vol avant de changer le paramètre ou de passer à un autre paramètre. Si vous souhaitez à tout moment rétablir la valeur par défaut d'un paramètre, appuyez simplement sur le bouton [RESET] (Réinitialisation) sur l'écran des radios IX ou sur le bouton [Clear] (Effacer) sur les émetteurs DX et NX. La valeur par défaut de ce paramètre sera alors rétablie à la valeur recommandée pour votre modèle BNF spécifique.

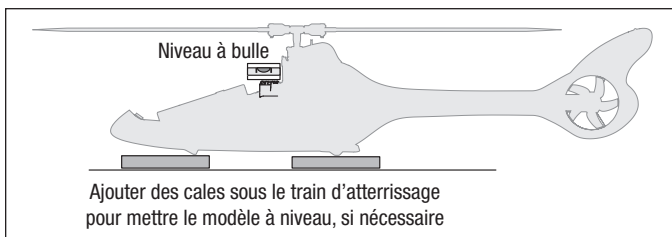
Procédure d'étalonnage

Si l'hélicoptère a des problèmes de déviations, effectuez l'étalonnage suivant. La procédure d'étalonnage peut aussi être nécessaire après des réparations suivant un crash.

1. Assurez-vous que la surface utilisée pour l'étalonnage est à niveau.
2. Allumez l'émetteur, puis activez le maintien des gaz.
3. Branchez la batterie de vol sur le variateur ESC et laissez le modèle s'initialiser.
4. Activez Throttle Hold (Maintien des gaz).
5. Utilisez un petit niveau à bulle à deux axes sur le moteur comme indiqué ci-dessous.



6. Mettez l'hélicoptère à niveau en plaçant une cale sous le patin d'atterrissage si nécessaire.



7. Saisissez la Fonction List (Liste des fonctions) sur votre émetteur.
8. Sélectionnez Forward Programming (Programmation prévisionnelle).
9. Sélectionnez System Setup (Configuration du système).
10. Sélectionnez Calibration (Étalonnage).
11. Sélectionnez Apply (Appliquer) et l'étalonnage débutera. La DEL clignotera en jaune, indiquant que l'étalonnage s'effectue normalement. Si la DEL passe au rouge, cela indique que le modèle n'est pas près du niveau ou que le modèle a été déplacé, et l'étalonnage recommence alors.
12. Lorsque l'étalonnage s'est terminé avec succès, la DEL du récepteur passera à un clignotement cyan lent pour indiquer que l'étalonnage est terminé.
13. Sortez de Forward Programming (Programmation prévisionnelle) et effectuez la procédure de liste de vérification avant de faire voler votre modèle.

Factory Reset (réinitialisation aux paramètres d'usine)

Si le processus de réglage de l'hélicoptère Blade 330 S provoque une performance de vol indésirable, vous pouvez réinitialiser les réglages aux paramètres d'usine en sélectionnant l'option Factory Reset (réinitialisation aux paramètres d'usine) dans Forward Programming (programmation prévisionnelle).

1. Entrez dans la Fonction List (liste des fonctions)
2. Sélectionnez Forward Programming (programmation prévisionnelle)
3. Sélectionnez System Setup (configuration du système)
4. Sélectionnez Factory Reset (réinitialisation aux paramètres d'usine)
5. Sélectionnez Apply (appliquer)
6. Effectuez la fonction Setup->Swashplate->Sub Trim (Configuration->Plateau cyclique->Sous-compensateur) et assurez-vous que les servos sont correctement découpés.
7. Effectuez la procédure de liste de vérification avant de faire voler le modèle.

Vol compensé

Effectuez cette procédure si le modèle ne fonctionne pas bien ou s'il a été reconstruit suite à un crash.

La procédure de vol compensé a été effectuée au cours du vol d'essai en usine et ne doit être effectuée que si vous remarquez que le modèle ne revient pas à niveau de manière constante ou si le modèle ne reste pas immobile lors de

pirouettes fixes.

Le vol compensé est utilisé pour déterminer les paramètres optimaux pour la technologie SAFE® pendant le vol.

Le vol compensé doit être effectué dans des conditions calmes.

Passer en mode de vol compensé

1. Mettez la manette des gaz à la position la plus basse.
2. Centrez tous les compensateurs. Pour l'émetteur Spektrum DXs inclus (prêt-à-voler uniquement), les compensateurs sont centrés lorsque vous entendez une tonalité plus aiguë en appuyant sur le bouton de compensateur. Bougez le compensateur dans les deux directions jusqu'à ce que vous entendiez la tonalité aiguë.
3. Allumez l'émetteur.
4. Installez la batterie de vol dans l'hélicoptère.
5. Raccordez le connecteur de la batterie au variateur ESC.
6. Posez l'hélicoptère sur une surface plane et laissez-le immobile jusqu'à ce que le moteur émette deux bips sonores et que la lumière bleue de la DEL du variateur ESC soit fixe, indiquant que l'initialisation est terminée.

Effectuer le vol compensé

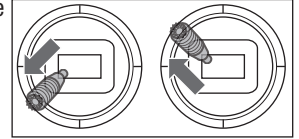
1. Augmentez lentement les gaz pour faire décoller l'appareil en mode stationnaire. Effectuez les corrections nécessaires pour que l'appareil reste immobile. L'évaluation ne commence que lorsque la manette des gaz dépasse 50 % et les manettes sont centrées. Les corrections n'affecteront pas le résultat mais un vol plus long peut être nécessaire.
2. Maintenez l'appareil en vol stationnaire pendant 120 secondes au total. Les glissements et les mouvements lents sont acceptables. Le but principal est que le disque du rotor reste à niveau.
3. Une fois que vous êtes satisfait du vol compensé, faites atterrir l'appareil.

Quitter le mode de vol compensé

1. Après avoir atterri, mettez la manette des gaz à la position la plus basse.
2. Activez Panic Recovery (fonction de panique) pendant 2 secondes, ou jusqu'à ce que le plateau cyclique bouge, indiquant que les positions de servos et les valeurs d'attitude ont été enregistrées et que le mode de vol compensé est désactivé.

7. Placez l'hélicoptère à l'endroit où vous allez décoller.

8. Déplacez et maintenez le levier gauche dans le coin inférieur gauche et le levier droit dans le coin supérieur gauche, comme indiqué.



9. Activez la récupération d'urgence jusqu'à ce que le plateau oscillant tourne autour une fois.
10. Relâchez les leviers et désactivez la récupération d'urgence.
11. Le modèle est prêt pour le vol d'équilibrage.

Test de vol

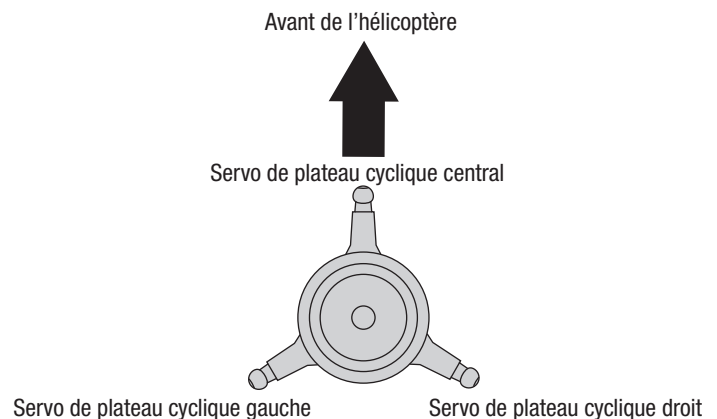
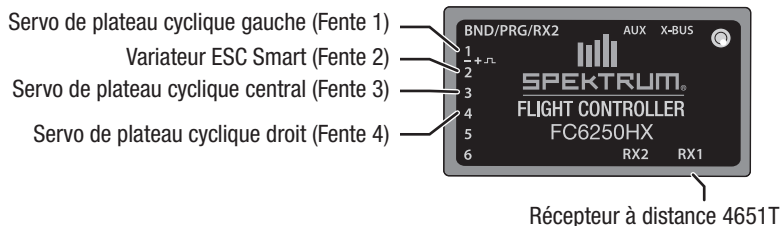
Après avoir effectué le vol compensé, testez l'appareil pour évaluer les caractéristiques de mise à niveau.

- L'appareil doit constamment revenir à niveau.
- Lors du décollage, l'appareil doit s'élever avec un minimum de corrections.
- Lors du vol stationnaire, la manette de commande doit rester proche du centre. De petites corrections sont acceptables.

Si l'appareil a de mauvaises performances ou ne se met pas correctement à niveau après le vol compensé, réessayez toute la procédure de vol compensé. Si le problème persiste, assurez-vous que l'appareil n'a pas de composants endommagés, d'arbre tordu ou toute autre chose pouvant augmenter les vibrations. Le vol compensé peut ne pas enregistrer les bonnes valeurs en raison de vibrations excessives, de vol par vent ou de défaut de niveau. Dans ces cas, des vols compensés plus courts peuvent être nécessaires. Essayez d'abord le vol compensé de 30 secondes à niveau sans corrections mentionné ci-dessus. Si les caractéristiques de mise à niveau ne sont pas satisfaisantes, raccourcissez graduellement les vols compensés, en recherchant les améliorations jusqu'à ce que les performances de l'appareil correspondent à celles décrites.

FC6250HX - Attribution des fentes

Utilisez le schéma suivant si vous avez besoin de remplacer un ou plusieurs servos.



Problème	Cause possible	Solution
L'hélicoptère ne veut pas s'affecter à l'émetteur (en cours d'affectation)	Tension de batterie de vol ou de batterie d'émetteur faible	Rechargez complètement ou remplacez la batterie de vol et/ou les piles de l'émetteur
	L'SPM4649T ne se trouve pas en mode d'affectation (bind)	Assurez-vous que la prise d'affectation est branchée dans le port BND/DAT du SPM4649T
	L'émetteur ne se trouve pas en mode d'affectation (bind)	Référez-vous au manuel d'instructions de votre émetteur pour des informations concernant l'affectation
L'hélicoptère ne veut pas se mettre en liaison avec l'émetteur (après affectation)	L'émetteur se trouve trop près de l'hélicoptère au cours du processus d'affectation	Coupez l'émetteur Déplacez l'émetteur pour le mettre plus loin de l'hélicoptère Débranchez et rebranchez la batterie de vol à l'hélicoptère et suivez les informations d'affectation
	L'hélicoptère est affecté à une mémoire de modèle différente (radios ModelMatch uniquement)	Déconnectez la batterie de vol Sélection la mémoire de modèle correcte sur l'émetteur. Reconnectez la batterie de vol
Le SPM4649T ne veut pas s'initialiser	La charge de la batterie de vol/de la batterie de l'émetteur est trop faible	Remplacez ou rechargez les batteries
	L'hélicoptère a été déplacé au cours de l'initialisation	S'il y a beaucoup de vent, couchez l'hélicoptère sur le côté pendant l'initialisation
	L'émetteur est coupé	Mettez l'émetteur en fonction
L'hélicoptère ne répond pas aux gaz mais bien aux autres commandes	Les commandes ne sont pas centrées au neutre	Centrez les commande de profondeur, d'aileron et de direction au neutre Assurez-vous que la manette des gaz est au neutre
	La manette des gaz n'est pas au ralenti (idle) et/ou le trim des gaz est réglé à une valeur trop élevée	Mettez la manette des gaz et le trim des gaz sur bas
	L'émetteur n'est pas en mode normal ou le verrouillage des gaz est actif (ON)	Assurez-vous que l'émetteur est en mode normal et que le verrouillage des gaz est inactif (OFF)
	Le moteur n'est pas connecté au CEV (ESC) ou les câbles du moteur sont endommagés	Branchez les câbles du moteur au CEV (ESC) et vérifiez que les câbles du moteur ne sont pas endommagés
	La charge de la batterie de vol est trop faible	Remplacez ou rechargez la batterie de vol
L'hélicoptère manque de puissance	La voie des gaz est inversée	Inversez la voie des gaz sur l'émetteur
	La batterie de vol a une tension faible	Rechargez la batterie de vol à plein
	La batterie de vol est trop vieille ou endommagée	Remplacez la batterie de vol
	Les cellules de la batterie de vol ne sont pas équilibrées	Rechargez la batterie de vol à plein, en permettant au chargeur de procéder à un équilibrage des cellules
	Le BEC draine un courant trop important	Vérifiez l'absence de dommages au niveau des servos et du moteur de l'hélicoptère
L'hélicoptère ne veut pas décoller	La tension de la courroie d'entraînement (du rotor) de queue n'est pas correcte	Voir « Contrôle de la tension de la courroie d'entraînement de queue » dans ce manuel
	La tête de rotor principal ne tourne pas dans le bon sens	Assurez-vous que la tête de rotor principal tourne dans le sens des aiguilles d'une montre Référez-vous au test de commande du moteur
	Les paramètres de l'émetteur ne sont pas corrects	Vérifiez les paramètres des courbes des gaz et d'incidence (pitch) et la direction de la commande d'incidence
	La batterie de vol a une tension faible	Rechargez la batterie de vol à plein
Il est impossible de conserver le contrôle de la queue l'hélicoptère	Les pales du rotor principal sont montées dans le sens inverse	Mettez les pales du rotor principal en place avec de façon à ce que leur partie la plus épaisse soit en bord d'attaque
	La commande de direction et/ou la direction du capteur est (sont) inversée(s)	Assurez-vous que la commande de direction et le capteur de direction fonctionnent dans la bonne direction
L'hélicoptère devient instable en vol	Le gain de cyclique est trop important	Diminuez Dial 1 sur le SPM4649T
	La vitesse (du rotor) de tête est trop faible	Augmentez la vitesse (du rotor) de tête de l'hélicoptère en jouant sur les paramètres de votre émetteur et/ou utiliser un pack de batterie fraîchement chargé
	Les amortisseurs sont usés	Remplacez les amortisseurs de la tête du rotor principal

Garantie limitée

Durée de la garantie—Garantie exclusive - Horizon Hobby, LLC (Horizon) garantit que le Produit acheté (le « Produit ») sera exempt de défauts matériels et de fabrication à sa date d'achat par l'Acheteur. La durée de garantie correspond aux dispositions légales du pays dans lequel le produit a été acquis. La durée de garantie est de 6 mois et la durée d'obligation de garantie de 18 mois à l'expiration de la période de garantie.

Limitations de la garantie—(a) La garantie est donnée à l'acheteur initial (« Acheteur ») et n'est pas transférable. Le recours de l'acheteur consiste en la réparation ou en l'échange dans le cadre de cette garantie. La garantie s'applique uniquement aux produits achetés chez un revendeur Horizon agréé. Les ventes faites à des tiers ne sont pas couvertes par cette garantie. Les revendications en garantie seront acceptées sur fourniture d'une preuve d'achat valide uniquement. Horizon se réserve le droit de modifier les dispositions de la présente garantie sans avis préalable et révoque alors les dispositions de garantie existantes.

(b) Horizon n'endosse aucune garantie quant à la vendabilité du produit ou aux capacités et à la forme physique de l'utilisateur pour une utilisation donnée du produit. Il est de la seule responsabilité de l'acheteur de vérifier si le produit correspond à ses capacités et à l'utilisation prévue.

(c) Recours de l'acheteur – Il est de la seule discrétion d'Horizon de déterminer si un produit présentant un cas de garantie sera réparé ou échangé. Ce sont là les recours exclusifs de l'acheteur lorsqu'un défaut est constaté.

Horizon se réserve la possibilité de vérifier tous les éléments utilisés et susceptibles d'être intégrés dans le cas de garantie. La décision de réparer ou de remplacer le produit est du seul ressort d'Horizon. La garantie exclut les défauts esthétiques ou

les défauts provoqués par des cas de force majeure, une manipulation incorrecte du produit, une utilisation incorrecte ou commerciale de ce dernier ou encore des modifications de quelque nature qu'elles soient.

La garantie ne couvre pas les dégâts résultant d'un montage ou d'une manipulation erronés, d'accidents ou encore du fonctionnement ainsi que des tentatives d'entretien ou de réparation non effectuées par Horizon. Les retours effectués par le fait de l'acheteur directement à Horizon ou à l'une de ses représentations nationales requièrent une confirmation écrite.

Limitation des dommages—Horizon ne saurait être tenu pour responsable de dommages conséquents directs ou indirects, de pertes de revenus ou de pertes commerciales, liés de quelque manière que ce soit au produit et ce, indépendamment du fait qu'un recours puisse être formulé en relation avec un contrat, la garantie ou l'obligation de garantie. Par ailleurs, Horizon n'acceptera pas de recours issus d'un cas de garantie lorsque ces recours dépassent la valeur unitaire du produit. Horizon n'exerce aucune influence sur le montage, l'utilisation ou la maintenance du produit ou sur d'éventuelles combinaisons de produits choisis par l'acheteur. Horizon ne prend en compte aucune garantie et n'accepte aucun recours pour les blessures ou les dommages pouvant en résulter. Horizon Hobby ne saurait être tenu responsable d'une utilisation ne respectant pas les lois, les règles ou réglementations en vigueur.

En utilisant et en montant le produit, l'acheteur accepte sans restriction ni réserve toutes les dispositions relatives à la garantie figurant dans le présent document. Si vous n'êtes pas prêt, en tant qu'acheteur, à accepter ces dispositions en relation avec l'utilisation du produit, nous vous demandons de restituer au vendeur le produit

complet, non utilisé et dans son emballage d'origine.

Indications relatives à la sécurité—Ceci est un produit de loisirs perfectionné et non un jouet. Il doit être utilisé avec précaution et bon sens et nécessite quelques aptitudes mécaniques ainsi que mentales. L'incapacité à utiliser le produit de manière sûre et raisonnable peut provoquer des blessures et des dégâts matériels conséquents. Ce produit n'est pas destiné à être utilisé par des enfants sans la surveillance par un tuteur. La notice d'utilisation contient des indications relatives à la sécurité ainsi que des indications concernant la maintenance et le fonctionnement du produit. Il est absolument indispensable de lire et de comprendre ces indications avant la première mise en service. C'est uniquement ainsi qu'il sera possible d'éviter une manipulation erronée et des accidents entraînant des blessures et des dégâts. Horizon Hobby ne saurait être tenu responsable d'une utilisation ne respectant pas les lois, les règles ou réglementations en vigueur.

Questions, assistance et réparations—Votre revendeur spécialisé local et le point de vente ne peuvent effectuer une estimation d'éligibilité à l'application de la garantie sans avoir consulté Horizon. Cela vaut également pour les réparations sous garantie. Vous voudrez bien, dans un tel cas, contacter le revendeur qui conviendra avec Horizon d'une décision appropriée, destinée à vous aider le plus rapidement possible.

Maintenance et réparation—Si votre produit doit faire l'objet d'une maintenance ou d'une réparation, adressez-vous soit à votre revendeur spécialisé, soit directement à Horizon. Emballez le produit soigneusement. Veuillez noter que le carton d'emballage d'origine ne suffit pas, en règle générale, à protéger le produit des dégâts pouvant survenir pendant le transport. Faites appel à un service de messagerie

proposant une fonction de suivi et une assurance, puisque Horizon ne prend aucune responsabilité pour l'expédition du produit jusqu'à sa réception acceptée. Veuillez joindre une preuve d'achat, une description détaillée des défauts ainsi qu'une liste de tous les éléments distincts envoyés. Nous avons de plus besoin d'une adresse complète, d'un numéro de téléphone (pour demander des renseignements) et d'une adresse de courriel.

Garantie et réparations—Les demandes en garantie seront uniquement traitées en présence d'une preuve d'achat originale émanant d'un revendeur spécialisé agréé, sur laquelle figurent le nom de l'acheteur ainsi que la date d'achat. Si le cas de garantie est confirmé, le produit sera réparé. Cette décision relève uniquement d'Horizon Hobby.

Réparations payantes—En cas de réparation payante, nous établissons un devis que nous transmettons à votre revendeur. La réparation sera seulement effectuée après que nous ayons reçu la confirmation du revendeur. Le prix de la réparation devra être acquitté au revendeur. Pour les réparations payantes, nous facturons au minimum 30 minutes de travail en atelier ainsi que les frais de réexpédition. En l'absence d'un accord pour la réparation dans un délai de 90 jours, nous nous réservons la possibilité de détruire le produit ou de l'utiliser autrement.

ATTENTION : Nous n'effectuons de réparations payantes que pour les composants électroniques et les moteurs. Les réparations touchant à la mécanique, en particulier celles des hélicoptères et des voitures radiocommandées, sont extrêmement coûteuses et doivent par conséquent être effectuées par l'acheteur lui-même.

10/15

Informations de contact pour garantie et réparation

Pays d'achat	Horizon Hobby	Numéro de téléphone/E-mail	Adresse
European Union	Horizon Technischer Service Sales: Horizon Hobby GmbH	service@horizonhobby.de +49 (0) 4121 2655 100	Hanskampring 9 D 22885 Barsbüttel, Germany

Information IC

CAN ICES-3 (B)/NMB-3(B)

Contains IC: 6157A-KATY1T

IC: 6157A-QSTMRX2

Ce dispositif contient un/des émetteur(s)/récepteur(s) non soumis à licence conforme(s) aux CNR d'Innovation, Sciences et Développement économique Canada. Son utilisation est soumise aux deux conditions suivantes : (1) Cet appareil ne doit pas causer d'interférences, et (2) Cet appareil doit accepter toutes les interférences, y compris celles pouvant entraîner un dysfonctionnement.

Informations de conformité pour l'Union européenne



Déclaration de conformité de l'Union européenne:

Blade Eclipse 360 BNF Basic (BLH01250) :

Par la présente, Horizon Hobby, LLC déclare que cet appareil est conforme aux directives suivantes : Directive relative aux équipements radioélectriques 2014/53/UE ; Directive RoHS 2 2011/65/UE ; Directive RoHS 3 - Modifiant 2011/65/UE Annexe II 2015/863.

Le texte complet de la déclaration de conformité UE est disponible à l'adresse Internet suivante : <https://www.horizonhobby.com/content/support-render-compliance>.

REMARQUE : Ce produit contient des batteries couvertes par la directive européenne 2006/66 / EC, qui ne peuvent pas être jetées avec les déchets ménagers. Veuillez respecter les réglementations locales.

Gamme de fréquences sans fil et Puissance de sortie sans fil :

Récepteur:

2402.0–2478.0MHz
18.87dBm

Fabricant officiel de l'UE :

Horizon Hobby, LLC
2904 Research Road
Champaign, IL 61822 USA

Importateur officiel de l'UE :

Horizon Hobby, GmbH
Hanskampring 9
22885 Barsbüttel Germany

Directive DEEE :



L'étiquette de cet appareil respecte la directive européenne 2012/19/UE en matière de déchets des équipements électriques et électroniques (DEEE). Cette étiquette indique que ce produit ne doit pas être jeté avec les déchets ménagers, mais déposé dans une installation appropriée afin de permettre sa récupération et son recyclage.

AVVISO

Tutte le istruzioni, le garanzie e altri documenti pertinenti sono soggetti a modifiche a totale discrezione di Horizon Hobby, LLC. Per una documentazione aggiornata sul prodotto, visitare il sito www.horizonhobby.com o www.towerhobbies.com e fare clic sulla sezione Support del prodotto.

Convenzioni terminologiche

I seguenti termini vengono utilizzati in tutta la documentazione relativa al prodotto per indicare il livello di eventuali danni connessi all'utilizzo di questo prodotto:

AVVERTENZA: indica procedure che, se non debitamente seguite, determinano la probabilità di danni alle cose, danni collaterali e gravi lesioni alle persone OPPURE una probabilità elevata di lesioni superficiali alle persone.

ATTENZIONE: indica procedure che, se non debitamente seguite, determinano la probabilità di danni alle cose E la possibilità di gravi lesioni alle persone.

AVVISO: indica procedure che, se non debitamente seguite, possono determinare la possibilità di danni alle cose E la possibilità minima o nulla di lesioni alle persone.



WARNING: leggere PER INTERO il manuale di istruzioni per acquisire dimestichezza con le caratteristiche del prodotto prima di metterlo in funzione. Un uso improprio del prodotto può causare danni al prodotto stesso e ai beni personali e provocare gravi lesioni alle persone.

Questo è un prodotto sofisticato per appassionati di modellismo. Deve essere utilizzato in modo attento e responsabile e richiede alcune conoscenze basilari di meccanica. L'uso improprio o irresponsabile di questo prodotto potrebbe causare lesioni alle persone o danni al prodotto stesso o ad altre cose. Questo prodotto non deve essere utilizzato dai bambini senza la diretta supervisione di un adulto. Non utilizzare componenti incompatibili o modifi care il prodotto in maniera diversa da quanto riportato nelle istruzioni fornite da Horizon Hobby, LLC. Questo manuale contiene le istruzioni per la sicurezza, l'uso la manutenzione del prodotto. È fondamentale leggere e seguire tutte le istruzioni e le avvertenze riportate nel manuale prima di montare, impostare o usare il prodotto per poterlo utilizzare correttamente ed evitare di causare danni alle cose o gravi lesioni alle persone.

Età consigliata: almeno 14 anni. Questo non è un giocattolo.

Precauzioni e avvertenze sulla sicurezza

- Mantenere sempre la distanza di sicurezza in tutte le direzioni attorno al modello per evitare collisioni o danni. Questo modello è controllato da un segnale radio soggetto a interferenze provenienti da diverse sorgenti non controllabili dall'utilizzatore. Tali interferenze possono provocare perdite momentanee di controllo.
- Utilizzare sempre il modello in spazi liberi da veicoli, traffico e persone.
- Seguire sempre scrupolosamente le istruzioni e le avvertenze sia per il modello che per tutti gli accessori (caricabatteria, pacchi batteria ricaricabili, ecc.).
- Tenere sempre le sostanze chimiche, le parti piccole e i componenti elettrici fuori dalla portata dei bambini.
- Evitare sempre il contatto con l'acqua di tutte le apparecchiature che non sono state appositamente progettate a tale scopo. L'umidità danneggia i componenti elettronici.
- Non mettere in bocca le parti del modello. Potrebbe essere pericoloso e persino mortale.
- Innestare sempre la presa dell'acceleratore prima di avvicinarsi all'aereo.
- Non utilizzare il modello se le batterie della trasmittente sono poco cariche.
- Tenere sempre il velivolo in vista e sotto controllo.
- Abbassare sempre completamente lo stick del motore, quando le eliche rischiano di toccare un oggetto o il suolo.
- Usare sempre batterie completamente cariche.
- Tenere sempre la trasmittente accesa quando il velivolo viene alimentato.
- Rimuovere sempre le batterie prima dello smontaggio.
- Tenere sempre pulite le parti mobili.
- Tenere sempre i componenti asciutti.
- Lasciare sempre che i componenti si raffreddino dopo l'uso prima di toccarli.
- Rimuovere sempre le batterie dopo l'uso.
- Non utilizzare mai velivoli con cablaggio danneggiato.
- Non toccare mai le parti in movimento.



ATTENZIONE AI PRODOTTI CONTRAFFATTI: se è necessario sostituire la ricevente Spektrum in dotazione con uno dei prodotti Horizon Hobby, si raccomanda di acquistare sempre da Horizon Hobby, LLC o da un suo rivenditore autorizzato per essere certi dell'autenticità e della qualità del prodotto Spektrum. Horizon Hobby, LLC nega ogni assistenza tecnica e garanzia a titolo esemplificativo, ma non esaustivo in merito alla compatibilità e alle prestazioni di prodotti contraffatti o dichiarati compatibili con la tecnologia DSM o Spektrum.

Indice

Impostazione delle trasmissioni serie NX e DX.....	45	Tuning avanzato (Forward Programming)	52
Configurazione delle trasmissioni serie iX.....	46	Guida alla risoluzione dei problemi.....	54
Installazione della batteria di bordo.....	47	Garanzia	55
Smart Throttle	48	Garanzia e Assistenza - Informazioni per i contatti.....	55
Mantenimento gas	48	Dichiarazione di conformità per l'Unione europea.....	55
Test di controllo	49	FCC and Canada Compliance Information.....	56
Taglio di bassa tensione (LVC)	50	IC Information	56
Informazioni sui comandi di volo principali	50	Compliance Information for the European Union.....	56
Elenco di controllo prima del volo.....	51	Vista Esplosa.....	56
L'elicottero Blade Eclipse 360 in volo.....	51	Pezzi di Ricambio.....	58
Rimozione della meccanica dalla fusoliera	51	Pezzi Opzionali.....	59
Ispezioni dopo il volo e manutenzione	52	Componenti raccomandati	59

Specifiche

Lunghezza	767mm	Diametro del rotore di coda	120mm
Altezza	193mm	Peso in volo	935 g
Diametro del rotore principale	767mm		

Componenti

BNF- Basic (BLH01250)

Cellula	Blade Eclipse 360	Incluso
Motore principale	Motore principale: Eclipse 360, (BLH01247)	Installato
Motore di coda	Motore di coda: Eclipse 360 (BLH01248)	Installato
Ricevitore	Ricevitore telemetrico remoto Seriale SRXL2 DSMX	Installato
Controller di volo	Controller di volo per elicotteri Flybarless FC6250HX (SPMFC6250HX)	Installato
ESC	Doppio ESC 30A 15A: Eclipse 360 (SPMXAHE3015)	Installato
Servi del piatto ciclico	Servo ciclico Spektrum H3050 Mid-Torq Ultra-Speed Micro Heli	Installato

Accessori richiesti

Trasmittente	Trasmittente compatibile con DSM2®/DSMX
Batteria di bordo	3S 11,1V 2200 mAh - 3200 mAh Smart 30C (o superiore) LiPo con IC3® (si consiglia SPMX22003S30)
Caricabatterie	Batteria LiPo 3S compatibile (consigliamo SPMXC2050)

Accessori opzionali

RFL1205	Simulatore di volo RC RealFlight Trainer Edition
SPMWS2000	Dongle USB simulatore wireless WS2000
SPMXP5A200	Powerstage Smart G2: 3S 2200 mAh

Guida al completamento

Scansiona il QR code per andare alla guida al completamento per informazioni sul bundle powerstage consigliato e su altre batterie e caricabatterie compatibili.



Preparazione al primo volo

- Estrarre il contenuto dalla scatola e controllarlo.
- Caricare la batteria di volo
- Installare la batteria di volo sull'elicottero (dopo averla caricata completamente)
- Programmare la trasmissioni computerizzata
- Connettere la trasmissioni (binding)
- Programmare le opzioni di telemetria intelligente nella trasmissioni
- Acquisire dimestichezza con i comandi
- Cercare un'area adatta per volare

Controlli prima del volo

- Accendere sempre prima la trasmissioni
- Attivare la funzione Throttle Hold.
- Collegare la batteria di volo al cavo dell'ESC
- Aspettare che l'ESC si inizializzi e si armi correttamente
- Fare volare il modello
- Far atterrare il modello
- Scollegare la batteria di volo dall'ESC
- Spegnerne sempre la trasmissioni per ultima

Impostazione delle trasmettenti serie NX e DX

1. Accendere la trasmettente, premere la rotella di scorrimento, scorrere fino a System Setup (Impostazione sistema) e premere di nuovo sulla rotella. Scegliere Yes (Sì).										
2. Andare in Model Select (Scelta modello) e scegliere Add New Mode (Aggiungi nuovo modello) in fondo alla lista. Il sistema chiede se si vuole creare un nuovo modello, selezionare Create (Crea).										
3. Impostare Model Type (Tipo di modello): Selezionare Helicopter Model Type (Tipo modello elicottero) scegliendo l'icona dell'elicottero. Il sistema chiede di confermare il tipo di modello, i dati saranno resettati. Selezionare YES										
4. Scorrere verso il basso e selezionare Nome modello: inserire il nome da assegnare al file del modello										
5. Scorrere fino a INDIETRO e premere la rotella di scorrimento per tornare a Impostazione sistema										
6. Scorrere verso il basso e selezionare Impostazione modalità F Impostare su: Interruttore 1: Interruttore B Interruttore Hold Interruttore H										
7. Scorrere fino a LIST (ELENCO) e premere la rotella per tornare a Impostazione sistema										
8. Scorrete verso il basso e selezionate Channel Assign Scorrete verso il basso nella schermata di configurazione degli ingressi di canale e impostate Ch 5 Gear su F-Mode										
9. Scorrere fino a ELENCO e premere la rotella per tornare a Impostazione sistema										
10. Selezionare Main Screen (Schermata principale), premere sulla rotella per entrare in Function List (Lista funzioni).										
11. Scorrere fino a Rates and Expo e premere la rotella Scorrere fino a Channel e selezionare Aileron Set Switch: Interruttore F Spostare l'interruttore F in posizione 0 Impostare i tassi elevati: 100%/100%, Expo 25%/25% Spostare l'interruttore F in posizione 1 Impostare i tassi elevati: 100%/100%, Expo 25%/25% Spostare l'interruttore F sulla posizione 2 Impostare i tassi bassi: 75%/75%, Expo 25%/25%										
12. Scorrere fino a Canale e selezionare Elevatore Interruttore di impostazione: Interruttore F Spostare l'interruttore C in posizione 0 Impostare i tassi elevati: 100%/100%, Expo 25%/25% Spostare l'interruttore C in posizione 1 Impostare i tassi elevati: 100%/100%, Expo 25%/25% Spostare l'interruttore C sulla posizione 2 Impostare i tassi bassi: 75%/75%, Expo 25%/25%										
13. Scorrere fino a Canale e selezionare Timone Interruttore di impostazione: Interruttore F Spostare l'interruttore C in posizione 0 Impostare i tassi elevati: 100%/100%, Expo 45%/45% Spostare l'interruttore C in posizione 1 Impostare i tassi elevati: 100%/100%, Expo 45%/45% Spostare l'interruttore C sulla posizione 2 Impostare i tassi bassi: 75%/75%, Expo 45%/45%										
14. Scorrere fino a LIST (ELENCO) e premere la rotella di scorrimento per tornare all'elenco delle funzioni										
15. Scorrere fino a Curva acceleratore e premere la rotella Scorrere fino alla casella N per la selezione della curva e premere la rotella per selezionare la curva Normale Impostare i valori della curva su										
<table border="1"> <tr><td>1</td><td>2</td><td>3</td><td>4</td><td>5</td></tr> <tr><td>0</td><td>50</td><td>63</td><td>75</td><td>90</td></tr> </table>	1	2	3	4	5	0	50	63	75	90
1	2	3	4	5						
0	50	63	75	90						
16. Scorrere fino alla casella #1 per la selezione della curva e premere la rotella di scorrimento per selezionare la curva Stunt #1 Impostare i valori della curva su										
<table border="1"> <tr><td>1</td><td>2</td><td>3</td><td>4</td><td>5</td></tr> <tr><td>90</td><td>90</td><td>90</td><td>90</td><td>90</td></tr> </table>	1	2	3	4	5	90	90	90	90	90
1	2	3	4	5						
90	90	90	90	90						
17. Scorrere fino alla casella #2 per la selezione della curva e premere la rotella di scorrimento per selezionare la curva Stunt #2 Impostare i valori della curva su										
<table border="1"> <tr><td>1</td><td>2</td><td>3</td><td>4</td><td>5</td></tr> <tr><td>100</td><td>100</td><td>100</td><td>100</td><td>100</td></tr> </table>	1	2	3	4	5	100	100	100	100	100
1	2	3	4	5						
100	100	100	100	100						
18. Scorrere fino alla casella H per la selezione della curva e premere la rotella di scorrimento per selezionare la curva Hold Impostare i valori della curva su										
<table border="1"> <tr><td>1</td><td>2</td><td>3</td><td>4</td><td>5</td></tr> <tr><td>0</td><td>0</td><td>0</td><td>0</td><td>0</td></tr> </table>	1	2	3	4	5	0	0	0	0	0
1	2	3	4	5						
0	0	0	0	0						
19. Scorrere fino a LIST (ELENCO) e premere la rotella di scorrimento per tornare all'elenco delle funzioni										

20. Scorrere fino alla curva Pitch e premere la rotella Scorrere fino alla casella N per la selezione della curva e premere la rotella per selezionare la curva Normal Impostare i valori della curva su										
<table border="1"> <tr><td>1</td><td>2</td><td>3</td><td>4</td><td>5</td></tr> <tr><td>30</td><td>40</td><td>50</td><td>75</td><td>100</td></tr> </table>	1	2	3	4	5	30	40	50	75	100
1	2	3	4	5						
30	40	50	75	100						
21. Scorrere fino alla casella #1 per la selezione della curva e premere la rotella di scorrimento per selezionare la curva Stunt #1 Impostare i valori della curva su										
<table border="1"> <tr><td>1</td><td>2</td><td>3</td><td>4</td><td>5</td></tr> <tr><td>0</td><td>25</td><td>50</td><td>75</td><td>100</td></tr> </table>	1	2	3	4	5	0	25	50	75	100
1	2	3	4	5						
0	25	50	75	100						
22. Scorrere fino alla casella #2 per la selezione della curva e premere la rotella di scorrimento per selezionare la curva Stunt #2 Impostare i valori di Curva su										
<table border="1"> <tr><td>1</td><td>2</td><td>3</td><td>4</td><td>5</td></tr> <tr><td>0</td><td>25</td><td>50</td><td>75</td><td>100</td></tr> </table>	1	2	3	4	5	0	25	50	75	100
1	2	3	4	5						
0	25	50	75	100						
23. Scorrere fino alla casella H per la selezione della curva e premere la rotella di scorrimento per selezionare la curva Hold Impostare i valori della curva su										
<table border="1"> <tr><td>1</td><td>2</td><td>3</td><td>4</td><td>5</td></tr> <tr><td>30</td><td>40</td><td>50</td><td>75</td><td>100</td></tr> </table>	1	2	3	4	5	30	40	50	75	100
1	2	3	4	5						
30	40	50	75	100						
24. Scorrere fino a LIST (ELENCO) e premere la rotella di scorrimento per tornare all'elenco delle funzioni										
25. Scorrete fino a Mixing e premere la rotella di scorrimento Selezionare Mix 1, selezionare Normal Selezionare il primo INH (per il master) e selezionare l'interruttore I Selezionare il secondo INH (per lo slave) e selezionare il Gear Channel Impostare il primo valore di Rate a 0% il secondo a -125% Impostare l'Offset a 100 Impostare l'interruttore sul pulsante I										
26. Scorrere fino a LIST (ELENCO) e premere la rotella di scorrimento per tornare all'elenco delle funzioni										
27. Scorrere fino a Timer e premere la rotella di scorrimento Impostare su; Modalità: Conto alla rovescia: Ora: 5:00 Inizio: Acceleratore fuori uso Over: 25% Una volta: Inibire										
28. Scorrere fino a LIST (ELENCO) e premere la rotella di scorrimento per tornare all'elenco delle funzioni										
29. Scorrere fino a <Main Screen> (Schermata principale) e premere la rotella di scorrimento.										

Per informazioni sulla configurazione della telemetria, consultare la sezione Smart Throttle

Configurazione delle trasmettenti serie iX

1. Accendere la trasmettente e attendere che l'applicazione Spektrum AirWare si apra. Selezionare l'icona della penna arancione nell'angolo in alto a sinistra; il sistema chiede di poter spegnere la trasmissione RF, selezione PROCEDI
2. Selezionare i tre punti nell'angolo in alto a destro nello schermo, poi selezionare Add a New Mode (Aggiungi nuovo modello).
3. Selezionare Model Option (Opzione modello), scegliere DEFAULT, scegliere elicottero. Il sistema chiede se si vuole creare un nuovo modello elicottero, selezionare Create (Crea)
4. Selezionare l'ultimo modello della lista, chiamato Heli. Toccare la parola Acro e rinominare il file con un nome a scelta
5. Toccare e tenere premuta l'icona della freccia indietro nell'angolo in alto a sinistra dello schermo per tornare alla schermata principale
6. Toccare il pulsante Impostazione modello
7. Impostare l'interruttore di impostazione della modalità di volo
Interruttore 1: Interruttore B
Interruttore Hold Interruttore H
Toccare la freccia nell'angolo in alto a sinistra per tornare al menu Model Setup
8. Impostare l'assegnazione dei canali

Impostare la configurazione dell'ingresso del canale: impostare il cambio Ch 5 in modalità Volo

Toccare la freccia nell'angolo in alto a sinistra per tornare al menu Model Setup Toccare la freccia nell'angolo in alto a sinistra per tornare alla schermata principale
9. Toccare il pulsante Regola modello
10. Toccare Dual Rates ed Exponential;
toccare la scheda a discesa Channel e selezionare Aileron
Impostare l'interruttore: Interruttore F
Spostare l'interruttore F in posizione 0
Impostare i tassi elevati: 100%/100%, Expo 25%/25%
Spostare l'interruttore F in posizione 1
Impostare i tassi elevati: 100%/100%, Expo 25%/25%
Spostare l'interruttore F sulla posizione 2
Impostare i tassi bassi: 75%/75%, Expo 25%/25%
11. Toccare la scheda a discesa in corrispondenza del Canale e selezionare Elevatore
Impostare Interruttore: Interruttore F
Spostare l'interruttore C in posizione 0
Impostare i tassi elevati: 100%/100%, Expo 25%/25%
Spostare l'interruttore C in posizione 1
Impostare i tassi elevati: 100%/100%, Expo 25%/25%
Spostare l'interruttore C sulla posizione 2
Impostare i tassi bassi: 75%/75%, Expo 25%/25%
12. Toccare la scheda a discesa in corrispondenza del Canale e selezionare Timone
Impostare Interruttore: Interruttore F
Spostare l'interruttore C in posizione 0
Impostare i tassi elevati: 100%/100%, Expo 45%/45%
Spostare l'interruttore C in posizione 1
Impostare i tassi elevati: 100%/100%, Expo 45%/45%
Spostare l'interruttore C sulla posizione 2
Impostare i tassi bassi: 75%/75%, Expo 45%/45%
13. Toccare la freccia nell'angolo superiore sinistro per tornare al menu Regola modello
14. Toccare la curva dell'acceleratore
Assicurarsi che l'interruttore H sia impostato sulla posizione 0 Impostare l'interruttore B sulla posizione 0 per selezionare la curva normale
Impostare i valori della curva su

1	2	3	4	5
0	50	63	75	90
15. Impostare l'interruttore B sulla posizione 1 per selezionare la curva Stunt #1
Impostare i valori della curva su

1	2	3	4	5
90	90	90	90	90
16. Impostare l'interruttore B sulla posizione 2 per selezionare la curva Stunt #2
Impostare i valori della curva su

1	2	3	4	5
100	100	100	100	100
17. Impostare il selettore H sulla posizione 1 per selezionare la curva di mantenimento
Impostare i valori della curva su

1	2	3	4	5
0	0	0	0	0
18. Toccare la freccia nell'angolo superiore sinistro per tornare al menu Regola modello

19. Toccare la curva Pitch
Assicurarsi che l'interruttore H sia impostato sulla posizione 0 Impostare l'interruttore B sulla posizione 0 per selezionare la curva Normale
Impostare i valori della curva su

1	2	3	4	5
30	40	50	75	100
20. Impostare l'interruttore B sulla posizione 1 per selezionare la curva Stunt #1
Impostare i valori della curva su

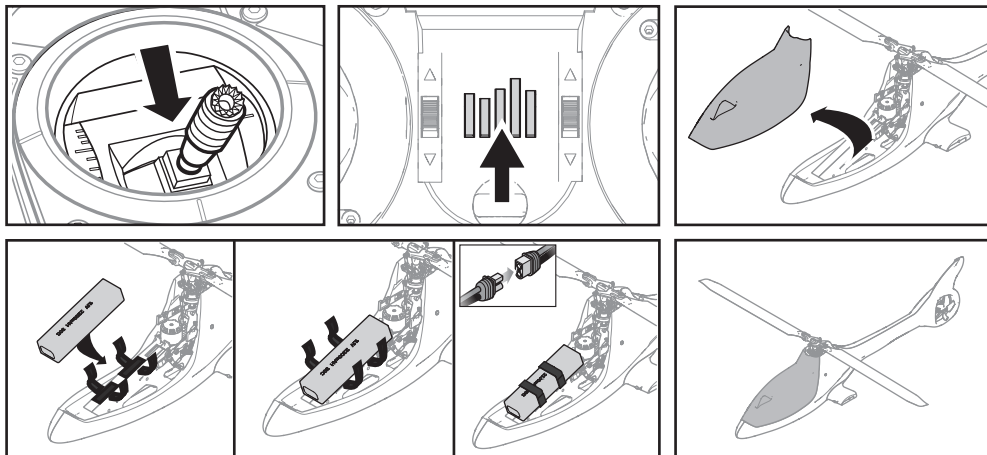
1	2	3	4	5
0	25	50	75	100
21. Impostare l'interruttore B sulla posizione 2 per selezionare la curva Stunt #2
Impostare i valori della curva su

1	2	3	4	5
0	25	50	75	100
22. Impostare il selettore H sulla posizione 1 per selezionare la curva di mantenimento
Impostare i valori della curva su

1	2	3	4	5
30	40	50	75	100
23. Toccare la freccia nell'angolo superiore sinistro per tornare al menu Regola modello
24. Toccare su Mixing
Selezionare P-Mix 1, Selezionare Normale
Selezionare il primo INH (per il master) e selezionare l'interruttore I Selezionare il secondo INH (per lo slave) e selezionare il Gear Channel
Impostare il primo valore di Rate a 0% il secondo a -125% Impostare l'Offset a 100
Impostare l'interruttore sul pulsante I
25. Toccare <Indietro> nell'angolo in alto a destra per tornare al menu di miscelazione
26. Toccare la freccia nell'angolo superiore sinistro per tornare al menu Regola modello
27. Toccare la freccia nell'angolo superiore sinistro per tornare alla schermata principale
28. Toccare l'icona dell'orologio nel riquadro Timer 1
Impostare a:
Modalità: Conto alla rovescia:
Ora: 5:00
Interruttore: Acceleratore fuori uso
Trigger Over Under: 25%
Una volta: Inibire
29. Toccare la freccia nell'angolo superiore sinistro per tornare alla schermata principale

Per informazioni sulla configurazione della telemetria, consultare la sezione Smart Throttle

Installazione della batteria di bordo



1. Abbassare lo stick del motore.
2. Accendere la trasmittente.
3. Centrare tutti i trim.
4. Per consentire all'ESC di armarsi e per evitare che i rotori inizino a ruotare all'avvio, attivare il mantenimento manetta e la normale modalità di volo prima di collegare la batteria di bordo.
5. Applicare la parte a uncino del velcro al telaio dell'elicottero e il lato asola alla batteria.
6. Installare la batteria di volo sul telaio dell'elicottero. Fissare la batteria con la fascetta a strappo.
7. Collegare il trasmettitore all'elicottero per stabilire una connessione. Vedere la sezione Binding (accoppiamento) per maggiori informazioni.
8. Collegare il cavo della batteria all'ESC. Il piatto ciclico si centererà a indicare che l'unità è pronta. Completata l'inizializzazione, il LED di stato del controller di volo inizia a lampeggiare lentamente in verde.
9. Il motore dell'elicottero emetterà una serie di toni sonori a indicare che l'ESC è armato.

ATTENZIONE: assicurarsi che la batteria di bordo, il cavo e il connettore non entrino in contatto con il motore. Se questo accade, il motore, l'ESC e la batteria si surriscaldano provocando la caduta del modello, con conseguenti danni a cose o persone.

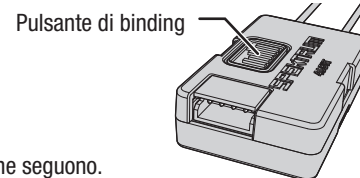
ATTENZIONE: scollegare sempre la batteria LiPo dal cavo di alimentazione dell'ESC quando il modello non viene utilizzato per evitare che la batteria si scarichi eccessivamente. Le batterie che si scaricano oltre la tensione minima consentita possono subire danni, con conseguente riduzione del rendimento e rischi potenziali di incendio durante la ricarica.

Connessione trasmettente/ricevente

Il binding è la procedura di programmazione con la quale il ricevitore impara a riconoscere il codice identificativo universalmente univoco GUID (Globally Unique Identifier) della trasmittente a cui viene associato. Affinché funzioni correttamente è necessario "associare" il ricevitore e la trasmittente Spektrum™ con tecnologia DSM2®/DSMX® montata sul modello. Il ricevitore dell'elicottero 330 S Smart si trova sul vassoio inferiore del telaio. Il pulsante di binding si trova al centro dell'involucro, spostato su un lato, con il logo Spektrum (barre) sulla superficie del pulsante.



Il modello BNF deve essere associato alla trasmittente per stabilire una connessione; seguire le istruzioni che seguono.



1. Programmare la trasmittente consultando la sezione "impostazioni trasmittente" del presente manuale.
2. Abbassare completamente lo stick del motore, cambiare la modalità di volo in modalità normale (modalità stabilità) e attivare il mantenimento della manetta. Impostare tutti i trim sulla posizione centrale.
3. Spegner il trasmettitore o spegnere il segnale RF se si utilizza un trasmettitore Spektrum serie NX o iX.
4. Collegare la batteria di volo all'ESC.
5. Premere il pulsante "bind" sul ricevitore remoto per iniziare il binding. Il LED arancione sul ricevitore inizierà a lampeggiare rapidamente, a indicare che il ricevitore si trova in modalità di connessione.
6. Seguire il manuale della trasmittente in uso per portare anche questa in modalità di binding. Il sistema impiegherà alcuni secondi per connettersi. Stabilita la connessione, il LED arancione sul ricevitore diventa fisso.
7. Scollegare la batteria di volo e spegnere la trasmittente (o spegnere la RF per le trasmittenti Spektrum serie iX).

Se si incontrano difficoltà, seguire le istruzioni per il binding e consultare la guida per la risoluzione dei problemi per maggiori informazioni. Se necessario, contattare il servizio assistenza Horizon.

Indicatore LED sul controller di volo

Descrizione indicatori	
Verde lampeggiante lento	Pronto al volo
Rosso lampeggiante lento	Failsafe attivo
Ciano lampeggiante lento	Modalità Forward Programming
Lampeggiante giallo (durante la calibrazione)	La calibrazione procede normalmente
Lampeggiamento rosso (durante la calibrazione)	Errore di calibrazione, controller di volo non in piano o mosso durante la calibrazione

Smart Throttle

L'ESC di questo elicottero, abbinato al controller di volo FC6250HX e alla ricevente 4651T, consente di utilizzare la tecnologia Smart. Questo sistema è in grado di fornire una serie di dati telemetrici in tempo reale relativi al sistema di alimentazione mentre si vola, tra cui i giri del motore, corrente, tensione della batteria e altro ancora ai trasmettitori Spektrum AirWare™ compatibili.

Durante il binding, il trasmettitore eseguirà una configurazione automatica che popolerà la pagina della telemetria. Potrebbe essere necessario modificare i valori di telemetria per adattarli all'aereo e alle proprie esigenze.

Per inserire i valori di telemetria:

(Per le trasmissioni della serie iX, è necessario selezionare Save (Salva) in ogni pagina)

1. Accendere la trasmissioni.
2. Impostare l'hold del gas su On.
3. Accendere l'aeromodello e lasciare che si inizializzi.

SAFE Tecnologia

La rivoluzionaria tecnologia SAFE usa una combinazione innovativa di sensori ad assi multipli e un software che permette al modello di conoscere la sua posizione relativa all'orizzonte. Questa percezione spaziale viene utilizzata per controllare l'involuppo di volo del velivolo e mantenere l'inclinazione di rollio o beccheggio entro campi ridotti per volare con maggiore sicurezza. Oltre alla stabilità questo tipo di protezione permette varie modalità di comportamento in modo che il pilota possa scegliere in base al suo livello di preparazione per sentirsi sempre sicuro nel controllo.

Modalità di volo e selezione dei ratei

Gli elicotteri a passo collettivo utilizzano tre modalità di volo motorizzato: Normale, Acrobazia 1 e Acrobazia 2.

Eclipse 360 ha la funzione SAFE Stability On quando è in modalità Normal. La testa del rotore gira a un basso numero di giri e l'angolo di inclinazione è limitato. Quando viene rilasciato lo stick del ciclico, il modello si riporta in posizione livellata.

In Stunt 1 e Stunt 2 l'Eclipse 360 ha la stabilità SAFE disattivata e utilizza solo la tecnologia AS3X per far sì che il velivolo risponda agli input di controllo. L'angolo d'inclinazione non è limitato. Quando viene rilasciato lo stick del ciclico, il modello non si riporta in posizione livellata.

L'acrobazia 1 ha una velocità moderata per il volo in avanti e l'acrobazia sportiva. Lo Stunt 2 ha una velocità superiore e può essere utilizzato per acrobazie più

Operazione modalità di volo
Interruttore "B"
0 = Normale, SAFE On
1 = Acrobazia 1, SAFE Off
2 = Acrobazia 2, SAFE Off

Funzione Antipanico

Se si entra in confusione mentre si pilota in qualsiasi modalità, tenere premuto l'interruttore Bind/Panic e portare gli stick al centro. La tecnologia SAFE riporterà immediatamente il velivolo in assetto livellato, sempre che si trovi ad una quota sufficiente e senza ostacoli sul suo percorso. Riportare lo stick del collettivo al 50% e rilasciare l'interruttore Bind/Panic per uscire dalla modalità Antipanico e ritornare nella modalità di volo corrente.

Funzionamento in modalità panico
Pulsante di binding / I
Premuto = Modalità panico attivata
Rilasciato = Modalità panico disattivata

Mantenimento gas

Il mantenimento del gas spegne il motore sull'elicottero elettrico. Si mantiene il controllo del passo e della direzione.

Le pale ruoteranno se il mantenimento gas è spento. Per sicurezza, attivare il mantenimento gas ogni volta che si deve toccare l'elicottero o controllare i comandi di direzione.

Operazione di blocco del gas
Interruttore "H"
0 = Il motore funziona normalmente
1 = Il mantenimento dell'acceleratore è attivo, il motore non gira

4. Nella trasmissioni, andare in **Function List** (Lista funzioni) (**Model Setup** nelle trasmissioni della serie iX).
5. Selezionare l'opzione del menu **Telemetry**.
6. Andare all'opzione del menu **Smart Battery** (Batteria Smart).
7. Scorrere verso il basso fino a **Startup Volts** (Volt avvio), inserire **4,0V/cella**.
8. Tornare al menu **Telemetry** (Telemetria).
9. Andare al menu **Smart ESC**.
10. Scorrere fino a **Totale celle**, immettere **3**.
11. Scorrere fino a **Allarme bassa tensione**, immettere **3,2V/Cella** e impostare su **Voce**.
12. Scorrere verso il basso fino a **Poles** (Poli), inserire **8**.
13. Scorrere verso il basso fino a **Ratio**, inserire **9,64:1**.
14. Tornare alla schermata iniziale.

La tecnologia SAFE fornisce:

- Protezione dell'involuppo di volo attivabile con un interruttore.
- Varie modalità permettono di adeguare la tecnologia SAFE al proprio livello di preparazione.

La cosa migliore è che la sofisticata tecnologia SAFE non richiede alcun intervento di messa a punto per poterla usare. Ogni velivolo con il SAFE installato è pronto all'uso per offrire la miglior esperienza di volo possibile.

avanzate.

Per modificare le velocità di controllo in qualsiasi modalità, spostare il selettore di velocità (selettore F).

- Low rate (posizione 2 dell'interruttore) riduce le velocità di controllo, rendendo il modello più facile da controllare. I principianti dovrebbero utilizzare una velocità bassa per i primi voli.
- La velocità elevata (posizioni dell'interruttore 0 e 1) offre un controllo completo e dovrebbe essere utilizzata da piloti intermedi ed esperti.

AVVISO: Prima di rilasciare l'interruttore Bind/Panic, bisogna accertarsi che lo stick del collettivo sia posizionato al 50%. Dopo aver rilasciato l'interruttore Bind/Panic anche la corsa negativa del passo viene riattivata e quindi si avrebbe una discesa rapida del 330 S Smart.

- Questa modalità serve per dare confidenza al pilota e permettergli di migliorare la sua abilità senza rischiare.
- Per un recupero rapido portare lo stick del collettivo al 50% e gli altri comandi al centro.
- Quando il modello ha raggiunto un assetto livellato, la corsa negativa del collettivo viene ridotta per evitare che l'utente sbatta il modello a terra.

Il mantenimento gas è utilizzato per spegnere i motori se l'elicottero è fuori controllo e/o rischia di schiantarsi.

Test di controllo

ATTENZIONE: è necessario eseguire i test del timone e del comando ciclico prima di effettuare il volo. La mancata esecuzione dei test per veri care che la direzione dei sensori non sia invertita può far schiantare l'elicottero provocando lesioni e danni materiali.

Comando ciclico

È normale che il piatto ciclico ritorni lentamente nella posizione originale dopo un comando con la leva e che i servo non si muovano alla stessa velocità delle leve di comando.

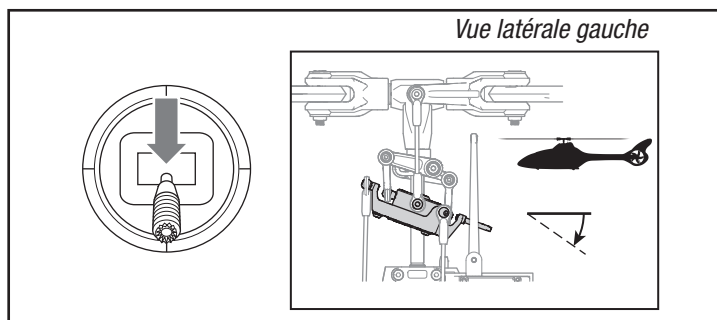
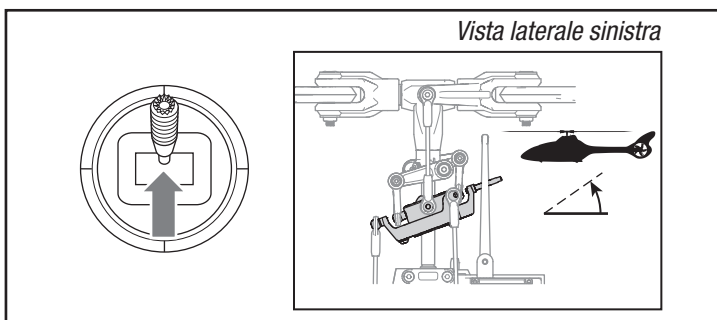
- Inclinare l'elicottero in avanti. Il piatto ciclico dovrebbe inclinarsi indietro.
- Inclinare l'elicottero indietro. Il piatto ciclico dovrebbe inclinarsi in avanti.
- Far ruotare l'elicottero a sinistra. Il piatto ciclico deve ruotare a destra.
- Far rollare l'elicottero a destra. Il piatto ciclico deve rollare a sinistra.

Test dei comandi ciclici e collettivi

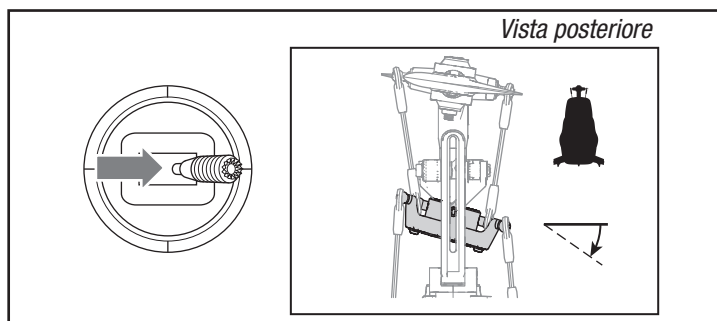
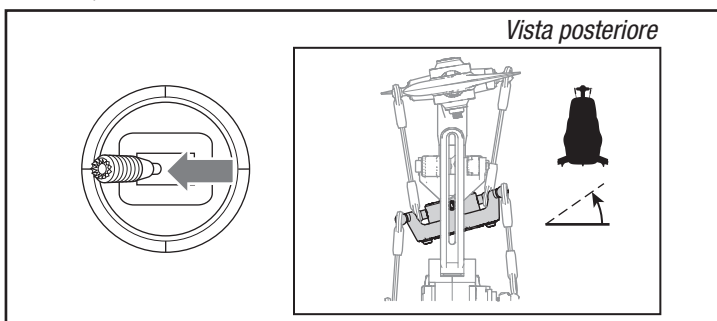
Accertarsi che l'interruttore Throttle Hold sia posizionato su ON quando si effettuano i test di controllo della direzione. Controllare i comandi prima di ogni volo per accertarsi che i servi, le aste di comando e le altre parti funzionino

correttamente. Se i comandi non reagiscono come indicato nelle figure qui sotto, verificare che la trasmittente sia programmata correttamente prima di passare al test del motore.

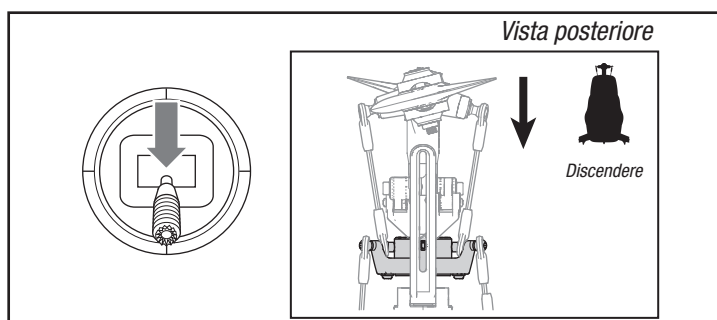
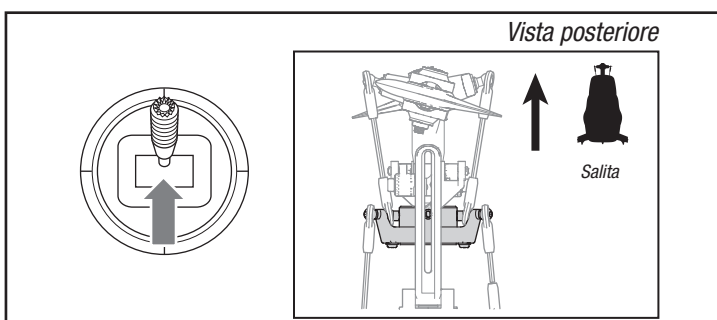
Elevatore/ Ciclico di prua e di poppa



Alettone, ciclico sinistro e destro



Passo collettivo



Test motore

Posizione l'elicottero all'aperto su una superficie piana e pulita (calcestruzzo o asfalto), priva di ostacoli. Tenersi sempre lontani dalle pale del rotore in movimento.

AVVERTENZA: Il motore gira quando si aumenta l'accelerazione mentre il mantenimento gas è disattivato.

1. Controllare le direzioni del piatto oscillante per verificare che si muovano nella direzione corretta. Fare riferimento agli schemi della pagina precedente.

AVVERTENZA: Rimanere ad almeno 10 metri di distanza dall'elicottero quando il motore è in funzione. Non tentare di pilotare l'elicottero in questo momento.

2. Assicurarsi che l'acceleratore sia completamente abbassato e che sia in modalità di volo normale.
3. Disattivare il mantenimento gas.
4. Aumentare lentamente l'acceleratore finché le pale non iniziano a girare. Le pale principali ruotano in senso orario quando si osserva l'elicottero dall'alto. Le pale del rotore di coda girano in senso antiorario quando si osserva l'elicottero dal lato destro.
5. Attivare il mantenimento gas.

Taglio di bassa tensione (LVC)

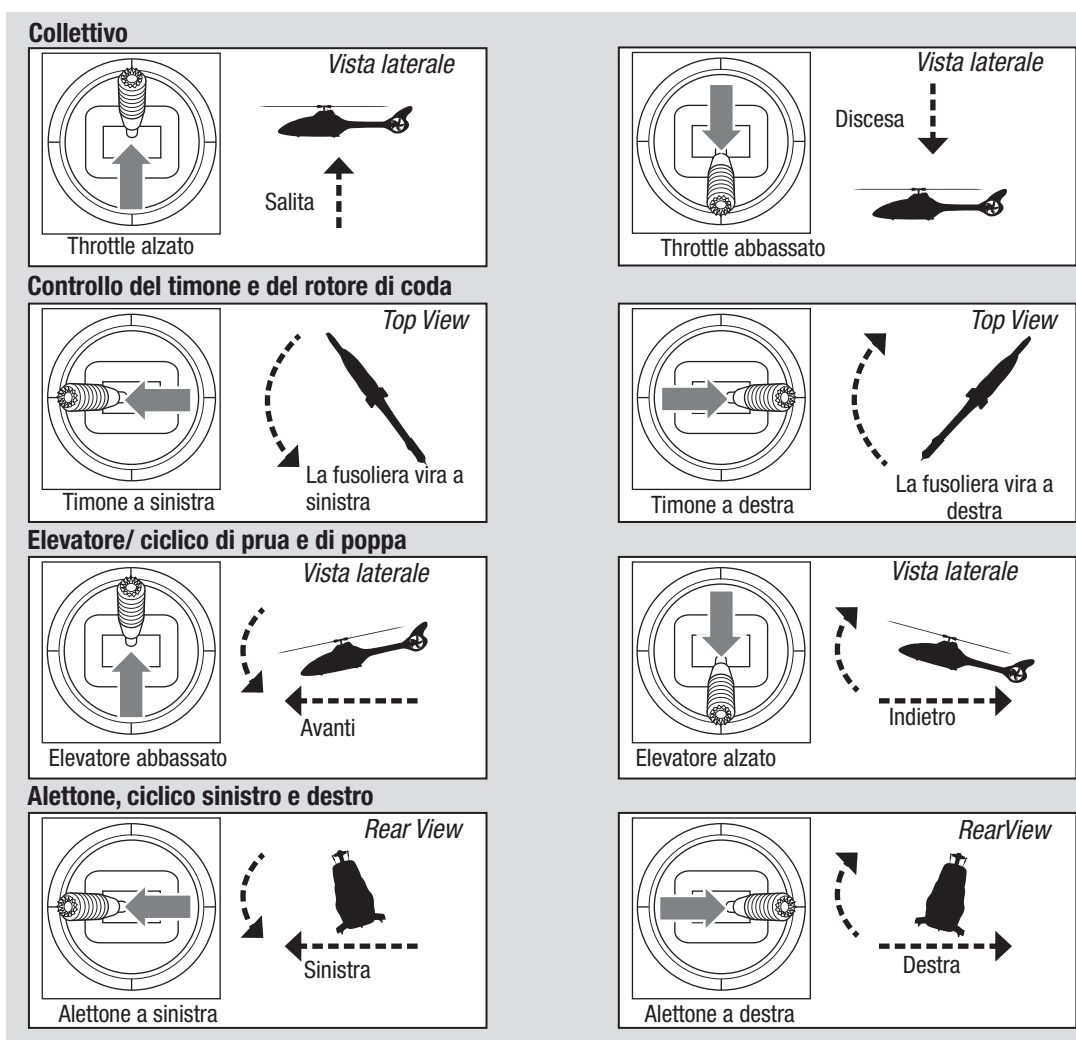
Il controllo elettronico di velocità continuerà ad abbassare la corrente erogata al motore fino allo spegnimento completo quando la batteria raggiunge i 12 V sotto carico. Questo fa sì che si possa evitare una scarica eccessiva della batteria Li-Po. Effettuare immediatamente l'atterraggio quando il regolatore di velocità attiva il taglio di bassa tensione (LVC). Continuare a far volare il modello dopo che ha raggiunto il taglio di bassa tensione (LVC) può danneggiare la batteria, causare lo schianto del velivolo o entrambe le cose. I danni della batteria o quelli dovuti allo schianto in seguito a uno scaricamento eccessivo non sono coperti dalla garanzia.

Far volare l'elicottero fino all'attivazione del taglio di bassa tensione (LVC) danneggia la batteria dell'elicottero.

Dopo l'uso scollegare e rimuovere dal velivolo la batteria Li-Po per evitare lo scaricamento passivo. Durante la conservazione, assicurarsi che la carica della batteria non scenda sotto i 3 V per cella.

Informazioni sui comandi di volo principali

Se non si ha familiarità con i comandi dell'330 S elicottero, è necessario dedicare alcuni minuti per familiarizzarsi con essi prima di tentare il primo volo.



Elenco di controllo prima del volo

- Controllare tutte le viti e assicurarsi che siano strette
- Controllare la tensione della cinghia e assicurarsi che non siano troppo stretta o troppo allentata
- Controllare le pale principali e di coda per assicurarsi che non siano danneggiate
- Controllare tutti i giunti e fare in modo che si muovano liberamente senza che svincolarsi facilmente
- Controllare che la batteria di volo e la batteria del trasmettitore siano
- Controllare tutti i cavi assicurandosi che non siano tagliati, stretti o schiacciati e che siano adeguatamente protetti
- Controllare che tutti i cavi siano collegati
- Controllare gli ingranaggi e assicurarsi che non manchino denti
- Eseguire un test completo dei comandi
- Controllare che i servo funzionino correttamente
- Verificare che la batteria di volo sia correttamente fissata
- Verificare che tutti i componenti elettronici siano fissati correttamente

L'elicottero Blade Eclipse 360 in volo

Vedere le leggi e le normative locali prima di scegliere il luogo dove far volare l'aeromodello.

Selezionare un'area grande, aperta lontano da persone e oggetti. I primi voli devono avvenire sempre all'aperto in condizioni di assenza di vento. Rimanere sempre ad almeno 10 metri dall'elicottero durante il volo.

Il Blade Eclipse 360 è destinato al volo all'aperto da parte di piloti di livello intermedio ed esperto.

Decollo

Il regolatore (ESC) Eclipse 360 utilizza una funzione di avviamento graduale. Alzare lo stick gas / collettivo fino a metà stick e la velocità della testa inizierà lentamente ad aumentare il numero di giri. Una volta che la velocità della testa è consistente (l'avvio della bobina richiede circa 10 secondi), alzare lentamente lo stick gas / collettivo fino a quando l'aeromodello si solleva da terra. Stabilire un hovering ad almeno 0,6 metri di altezza, al di fuori dell'effetto suolo.

ATTENZIONE: L'esecuzione di grandi input ai comandi di rollio o di beccheggio mentre l'elicottero è a terra può provocare un incidente.

Volo

I primi voli devono essere eseguiti in modalità normale e con basse velocità del ciclico e del rotore di coda fino a quando non si è acquisita familiarità con il modo di volare dell'elicottero.

ATTENZIONE: Volate sempre con le spalle al sole e al vento per evitare di perdere il controllo del volo.

Atterraggio

Stabilire un hovering a basso livello. Abbassare deliberatamente il motore finché l'elicottero non atterra.

Quando l'elicottero è in modalità acrobatica:

- La velocità della testa del rotore è costante.
- Il rotore principale aumenterà il passo negativo quando lo stick del gas/collettivo verrà spostato dalla posizione centrale dello stick a quella bassa. Il passo negativo consente all'elicottero di volare a testa in giù e di eseguire acrobazie.

Passare dalla modalità normale a quella acrobatica in hovering con l'acceleratore vicino alla posizione dello stick di hovering.

AVVERTENZA: Non utilizzare lame principali in legno con il Blade Eclipse 360, altrimenti si potrebbero verificare lesioni e/o danni materiali. Utilizzare esclusivamente lame principali di ricambio Blade Eclipse 360.

Rimozione della meccanica dalla fusoliera

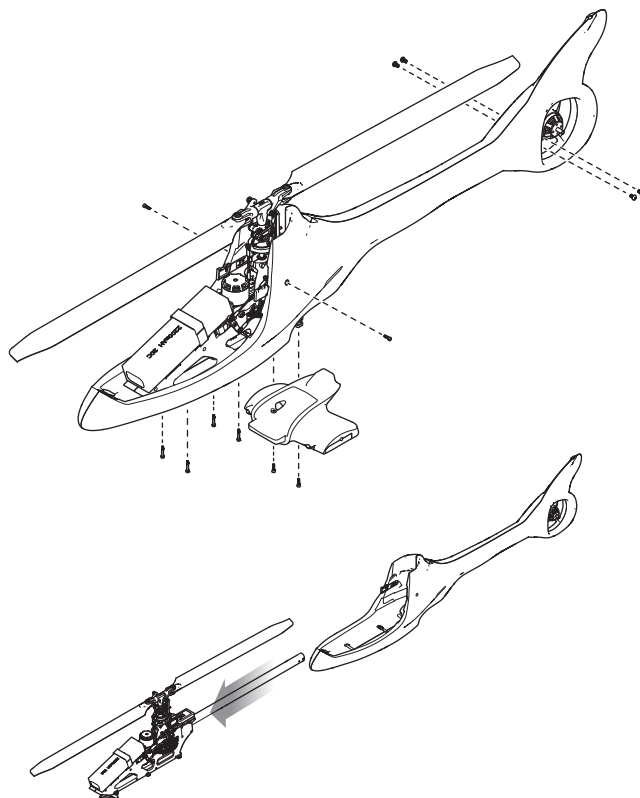
Rimuovere con cautela la meccanica dalla fusoliera.

1. Rimuovere le quattro viti del supporto del motore di coda.
2. Rimuovere le due viti sul lato della fusoliera e le sei viti dalla parte inferiore della fusoliera.
3. Rimuovere lo sportello inferiore dalla fusoliera.
4. Scollegare le luci dal cablaggio.

5. Rimuovere parzialmente la meccanica con il braccio di coda dalla fusoliera.
6. Rimuovere il gruppo motore di coda dalla fusoliera
7. Scollegare il motore di coda.
8. Rimozione completa della meccanica e del braccio di coda dalla fusoliera.

Per reinstallare la fusoliera:

Ripetere in ordine inverso.



Ispezioni dopo il volo e manutenzione

Attacchi a sfera	Verifi care che le sfere siano tenute saldamente, ma che non siano troppo strette. Se un attacco è troppo largo, potrebbe staccarsi in volo e causare un incidente. Sostituire gli attacchi usurati prima che cedano.
Pulizia	Accertarsi che la batteria non sia collegata prima di effettuare la pulizia. Rimuovere polvere e depositi con una spazzola morbida o un panno asciutto che non lascia residui.
Cuscinetti	Sostituire i cuscinetti se sono danneggiati.
Cablaggio	Accertarsi che i cavi non blocchino parti in movimento. Sostituire i cavi danneggiati e i connettori lenti.
Elementi di fissaggio	Accertarsi che non vi siano viti, elementi di fissaggio o connettori allentati. Non stringere eccessivamente le viti di metallo nei componenti di plastica. Serrare le viti in modo che le parti combacino perfettamente, quindi girare le viti solo 1/8 di giro in più.
Rotori	Accertarsi che le pale dei rotor e altre parti che girano velocemente non presentino danni quali incrinature, sbavature, scheggiature o graffi. Prima di volare, sostituire le parti danneggiate.
Controller di volo	Accertarsi che il controller di volo sia fissato saldamente al telaio. Sostituire il nastro biadesivo quando necessario. L'elicottero cadrà se il controller di volo si stacca dal telaio dell'elicottero.

Tuning avanzato (Forward Programming)

Quanto segue si applica alle trasmettenti Spektrum in grado di programmare in avanti. Consultare il manuale del trasmettitore o visitare il sito SpektrumRC.com per un elenco completo di trasmettitori in grado di effettuare il tuning avanzato.

Le impostazioni predefinite del Blade Eclipse 360 sono adeguate per la maggior parte degli utilizzatori. Si consiglia di volare provando con i parametri predefiniti prima di apportare eventuali regolazioni.

Il controller di volo Blade Eclipse 360 BNF può essere programmato tramite qualsiasi trasmettente Spektrum compatibile (visitare SpektrumRC.com per maggiori informazioni).

Il controller di volo fornito con i modelli BNF è configurato specificamente per l'elicottero Blade Eclipse 360 utilizzando i componenti elettronici forniti e non è destinato all'uso in altri velivoli.

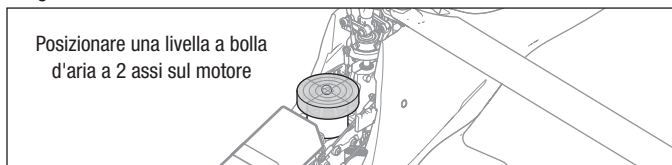
Inserimento del menù dei parametri avanzati

Con l'elicottero connesso alla trasmettente e acceso, entrare nella Function List (elenco funzioni) e selezionare la programmazione avanzata Forward Programming. Apportare piccole variazioni a un parametro alla volta e testare le modifiche in volo prima di modificare ulteriormente il parametro o di modificare un altro parametro. Se in qualsiasi momento si desidera ripristinare il valore predefinito di un parametro, è sufficiente premere il pulsante [RESET] sullo schermo della radio IX o il pulsante [Clear] sulle trasmettenti DX e NX per ripristinare il valore predefinito di quel parametro al valore raccomandato per lo specifico modello BNF.

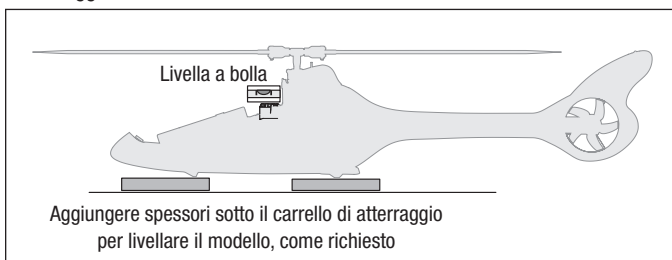
Procedura di calibrazione

Se l'elicottero manifesta problemi di sbandamento, eseguire la calibrazione descritta qui di seguito. Tale calibrazione può essere necessaria anche in seguito a riparazioni dopo un incidente.

1. Assicurarsi che la superficie utilizzata per la calibrazione sia piana.
2. Accendere la trasmettente e attivare il Throttle Hold.
3. Collegare la batteria di volo all'ESC e consentire l'inizializzazione del modello.
4. Attivare il Throttle Hold.
5. Utilizzare una piccola livella a bolla a 2 assi sul motore, come mostrato di seguito.



6. Se necessario, livellare l'elicottero posizionando uno spessore sotto il pattino di atterraggio.



7. Entrare nell'elenco funzioni della trasmettente.
8. Selezionare Forward Programming.
9. Selezionare setup di sistema.
10. Selezionare calibrazione.
11. Selezionare "applica" per avviare la calibrazione. Il LED lampeggerà in giallo indicando che la calibrazione sta procedendo normalmente. Se il LED diventa rosso, il modello non è in piano o è stato mosso e la calibrazione viene riavviata.
12. Completata la calibrazione con successo, il LED del ricevitore inizia a lampeggiare lentamente in ciano a indicare che la calibrazione è terminata.
13. Uscire dal tuning avanzato e procedere con la procedura di controllo pre-volo prima di far volare l'aeromodello.

Reset di fabbrica

Se il tuning dell'elicottero Blade 330 S non produce le prestazioni di volo desiderate, è possibile ripristinare le impostazioni di fabbrica selezionando l'opzione Factory Reset in Forward Programming.

1. Entrare nell'elenco funzioni
2. Selezionare Forward Programming
3. Selezionare setup di sistema
4. Selezionare Factory Reset
5. Selezionare "applica"
6. Eseguire la funzione Setup -> Swashplate [Piatto oscillante] -> Sub Trim e assicurarsi che i servo siano regolati correttamente.
7. Scorrere la lista di controllo pre-volo prima di portare in volo il modello.

Volo di trimmaggio

Eseguire questa procedura se l'aeromodello non si comporta bene o se è stato recentemente ricostruito dopo un incidente.

Il modello è stato trimmato in durante la prova in volo di fabbrica e la procedura va ripetuta solo se il modello non torna in volo livellato come dovrebbe o non rimane fermo durante le piroette da fermo.

Il volo di trimmaggio viene utilizzato per determinare le impostazioni ottimali per la tecnologia SAFE® durante il volo.

Il volo di trimmaggio deve essere eseguito in condizioni di vento calmo.

Entrare nella modalità volo di trimmaggio

1. Abbassare completamente lo stick della manetta.
2. Centrare tutti i trim. Per la trasmittente Spektrum DXs in dotazione (solo RTF), i trim sono centrati quando si sente un segnale acustico più acuto premendo il relativo pulsante. Muovere il trim in entrambe le direzioni fino a sentire il segnale acustico acuto.
3. Accendere la trasmittente.
4. Installare la batteria di volo sull'elicottero.
5. Collegare il connettore della batteria all'ESC.
6. Posizionare l'elicottero su una superficie piana e non muoverlo fino a quando il motore non emette un doppio segnale acustico e il LED blu dell'ESC si accende

Eseguire il volo di trimmaggio

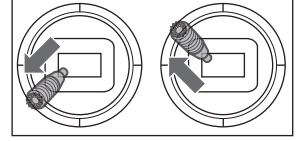
1. Aumentare lentamente il motore per alzare il modello in un hover stazionario. Effettuare le regolazioni necessarie per tenere il modello fermo. La valutazione inizia soltanto quando lo stick motore supera il 50% e gli stick sono centrati. Eventuali correzioni non influenzeranno il risultato ma possono richiedere un volo più lungo.
2. Mantenere il modello in un hover stazionario per 120 secondi. Movimenti molto lenti vanno bene. La cosa più importante è mantenere livellato il disco rotore.
3. Una volta contenti del volo di trimmaggio, potete far atterrare il modello.

Uscire dalla modalità volo di trimmaggio

1. Dopo l'atterraggio, abbassare lo stick motore completamente.
2. Tenere premuto il tasto bind/anti-panico per 2 secondi o fino a quando il piatto ciclico guizza, indicando che le posizioni dei servocomandi e i valori dell'assetto di volo sono stati registrati e la modalità di volo di trimmaggio è stata abbandonata.

con luce fissa, a indicare che l'inizializzazione è terminata.

7. Posizionare l'elicottero nel punto di decollo desiderato.
8. Portare lo stick di sinistra in basso a sinistra e lo stick di destra in alto a sinistra e mantenerli in questa posizione, come illustrato.
9. Attivare la funzione antipanico finché il piatto ciclico non compie una rotazione.



10. Rilasciare gli stick e disattivare la funzione antipanico.
11. Il modello è pronto per il volo di trimmaggio.

Volo di prova

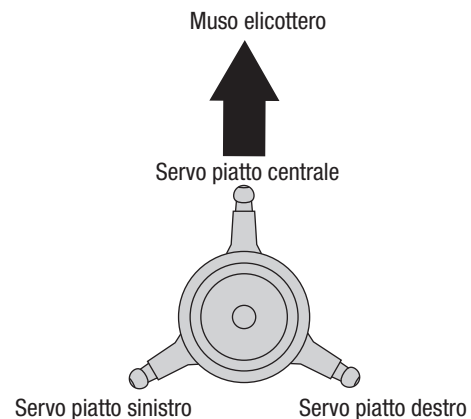
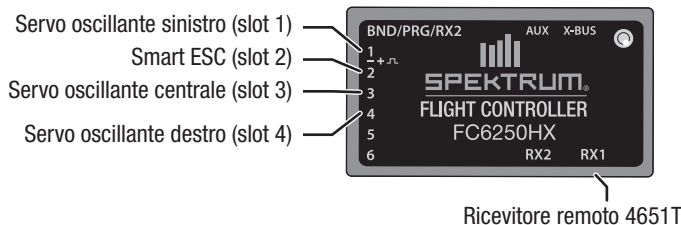
Dopo aver eseguito il volo di trimmaggio, provare a volare il modello per valutare le caratteristiche di livellamento.

- Il modello dovrebbe tornare nel volo livellato consistentemente.
- Durante il decollo, il modello dovrebbe alzarsi con un minimo di correzioni.
- Durante un hover, lo stick di comando dovrebbe restare vicino alla posizione centrale. Piccole regolazioni sono ammissibili.

Se il modello non vola bene o non si livella bene dopo il volo di trimmaggio, rifare l'intera procedura del volo di trimmaggio da capo. Se il problema persiste, controllare se ci sono delle componenti rotte nel modello, per esempio un albero piegato o altro che potrebbe causare maggiori vibrazioni. È possibile che il volo di trimmaggio non salvi i valori corretti per via di vibrazioni eccessive, troppo vento o il mancato livellamento del modello. In questo caso, potrebbe essere necessario eseguire dei voli di trimmaggio più corti. Provare prima il volo di trimmaggio livellato di 30 secondi senza correzioni, come menzionato prima. Se le caratteristiche di livellamento non sono soddisfacenti, accorciare gradualmente i voli di trimmaggio, individuando possibili miglioramenti, fino a quando il modello vola come descritto qui a sinistra.

Assegnazione degli slot FC6250HX

Usa lo schema che segue se è necessario sostituire uno dei servo.



Guida alla risoluzione dei problemi

Problema	Possibile causa	Soluzione
L'elicottero non riesce a stabilire il binding con il trasmettitore (durante la procedura di binding)	Tensione bassa della batteria di volo o della batteria del trasmettitore	Ricaricare completamente o sostituire la batteria di volo e/o le batterie del trasmettitore
	Il ricevitore SPM4649TA non è in modalità di binding	Accertarsi che lo spinotto di binding sia collegato alla porta BND/DAT dell'SPM-4649TA
	Il trasmettitore non è in modalità di binding	Fare riferimento al manuale di istruzioni del trasmettitore per le istruzioni di binding
	Trasmettitore troppo vicino l'elicottero durante il processo di binding	Spegnere il trasmettitore. Spostare il trasmettitore a una maggiore distanza dall'elicottero. Scollegare e ricollegare la batteria di volo all'elicottero e seguire le istruzioni di binding
L'elicottero non riesce a stabilire il collegamento con il trasmettitore (durante la procedura di binding)	Elicottero è associato a un diverso modello in memoria (solo per radio di tipo ModelMatch)	Scollegare la batteria di volo. Selezionare in memoria il corretto modello di trasmettitore. Ricollegare la batteria di volo
	La carica della batteria di volo o del trasmettitore è troppo bassa	Sostituire o ricaricare le batterie
Il ricevitore SPMFC6250HX non si inizializza	Il trasmettitore è spento	Accendere il trasmettitore
	I comandi non sono centrati	Centrare i comandi di elevatore, alettone e timone. Assicurarsi che il throttle sia al minimo
L'elicottero non risponde al throttle, ma risponde ad altri comandi	Il throttle non è al minimo e/o il trim del throttle è troppo alto	Abbassare la leva e il trim del throttle
	Il trasmettitore non è in modalità normale o la funzione Throttle Hold è attiva	Assicurarsi che il trasmettitore sia in modalità normale e che la funzione Throttle Hold sia spenta
	Il motore non è collegato al regolatore di velocità (ESC) o i cavi del motore sono danneggiati	Collegare i cavi del motore al regolatore di velocità (ESC) e controllare che non siano danneggiati
	La carica della batteria di volo è troppo bassa	Sostituire o ricaricare la batteria di volo
	Il canale del throttle è invertito	Invertire il canale del throttle sul trasmettitore
La potenza dell'elicottero è scarsa	La tensione della batteria di volo è bassa	Caricare completamente la batteria di volo
	La batteria di volo è vecchia o danneggiata	Sostituire la batteria di volo
	Le celle della batteria di volo sono sbilanciate	Caricare completamente la batteria di volo, lasciando al caricatore il tempo necessario a bilanciare le celle
	Il circuito di eliminazione della batteria (BEC) sta assorbendo troppa corrente	Controllare che tutti i servo e il motore dell'elicottero non siano danneggiati
Elicottero non si alza	La testa del rotore principale non gira nella direzione corretta	Assicurarsi che la testa del rotore principale giri in senso orario. Fare riferimento al test dei comandi del motore
	Le impostazioni del trasmettitore non sono corrette	Controllare le impostazioni del throttle e della curva di pitch e la direzione del comando di pitch
	La tensione della batteria di volo è bassa	Caricare completamente la batteria di volo
	Le pale del rotore principale sono montate a rovescio	Montare le pale del rotore principale con il lato più spesso nella direzione di rotazione
La coda dell'elicottero gira fuori controllo	Il comando del timone e/o la direzione del sensore sono invertiti	Assicurarsi che il comando del timone e il sensore del timone stiano funzionando nella direzione corretta
L'elicottero oscilla in volo	Il guadagno ciclico è troppo alto	Abbassare l'impostazione della manopola 1 sul ricevitore SPM4649TA
	La velocità della testa è troppo bassa	Aumentare la velocità della testa dell'elicottero tramite le impostazioni del trasmettitore e/o utilizzando un pacchetto di batterie di volo appena caricate
	Gli ammortizzatori sono usurati	Sostituire gli ammortizzatori della testa del rotore principale

Garanzia

Periodo di garanzia—Garanzia esclusiva - Horizon Hobby, LLC (Horizon) garantisce che il prodotto acquistato (il "Prodotto") sarà privo di difetti relativi ai materiali e di eventuali errori di montaggio alla data di acquisto. Il periodo di garanzia è conforme alle disposizioni legali del paese nel quale il prodotto è stato acquistato. Tale periodo di garanzia ammonta a 6 mesi e si estende ad altri 18 mesi dopo tale termine.

Limiti della garanzia—(a) La garanzia è limitata all'acquirente originale (Acquirente) e non è cedibile a terzi. L'acquirente ha il diritto a far riparare o a far sostituire la merce durante il periodo di questa garanzia. La garanzia copre solo quei prodotti acquistati presso un rivenditore autorizzato Horizon. Altre transazioni di terze parti non sono coperte da questa garanzia. La prova di acquisto è necessaria per far valere il diritto di garanzia. Inoltre, Horizon si riserva il diritto di cambiare o modificare i termini di questa garanzia senza alcun preavviso e di escludere tutte le altre garanzie già esistenti.

(b) Horizon non si assume alcuna garanzia per la disponibilità del prodotto, per l'adeguatezza o l'idoneità del prodotto a particolari previsti dall'utente. È sola responsabilità dell'acquirente il fatto di verificare se il prodotto è adatto agli scopi da lui previsti.

(c) Richiesta dell'acquirente - spetta soltanto a Horizon, a propria discrezione riparare o sostituire qualsiasi prodotto considerato difettoso e che rientra nei termini di garanzia. Queste sono le uniche rivalse a cui l'acquirente si può appellare, se un prodotto è difettoso.

Horizon si riserva il diritto di controllare qualsiasi componente utilizzato che viene coinvolto nella rivalsa di garanzia. Le decisioni relative alla sostituzione o alla riparazione sono a discrezione di Horizon. Questa garanzia non copre dei danni superficiali o danni per cause di forza maggiore, uso errato del prodotto, un utilizzo che viola qualsiasi legge, regolamentazione o disposizione applicabile, negligenza, uso ai fini commerciali, o una qualsiasi modifica a qualsiasi parte del prodotto.

Questa garanzia non copre danni dovuti ad un'installazione errata, ad un funzionamento errato, ad una manutenzione o un tentativo di riparazione non idonei a cura di soggetti diversi da Horizon. La restituzione del prodotto a cura dell'acquirente, o da un suo rappresentante, deve essere approvata per iscritto dalla Horizon.

Limiti di danno—Horizon non si riterrà responsabile per danni speciali, diretti, indiretti o consequenziali; perdita di profitto o di produzione; perdita commerciale connessa al prodotto, indipendentemente dal fatto che la richiesta si basa su un contratto o sulla garanzia. Inoltre la responsabilità di Horizon non supera mai in nessun caso il prezzo di acquisto del prodotto per il quale si chiede la responsabilità. Horizon non ha alcun controllo sul montaggio, sull'utilizzo o sulla manutenzione del prodotto o di combinazioni di vari prodotti. Quindi Horizon non accetta nessuna responsabilità per danni o lesioni derivanti da tali circostanze. Con l'utilizzo e il montaggio del prodotto l'utente acconsente a tutte le condizioni, limitazioni e riserve di garanzia citate in questa sede. Qualora l'utente non fosse pronto ad assumersi tale responsabilità associata all'uso del prodotto, si suggerisce di restituire il prodotto intatto, mai usato e immediatamente presso il venditore.

Indicazioni di sicurezza—Questo è un prodotto sofisticato di hobbistica e non è un giocattolo. Esso deve essere manipolato con cautela, con giudizio e richiede delle conoscenze basilari di meccanica e delle facoltà mentali di base. Se il prodotto non verrà manipolato in maniera sicura e responsabile potrebbero risultare delle lesioni, dei gravi danni a persone, al prodotto o all'ambiente circostante. Questo prodotto non è concepito per essere usato dai bambini senza una diretta supervisione di un adulto. Il manuale del prodotto contiene le istruzioni di sicurezza, di funzionamento e di manutenzione del prodotto stesso. È fondamentale leggere e seguire tutte le istruzioni e le avvertenze nel manuale prima di mettere in funzione il prodotto. Solo così si eviterà un utilizzo errato e si preverranno incidenti, lesioni o danni.

Domande, assistenza e riparazioni—Il vostro negozio locale e/o luogo di acquisto non possono fornire garanzie di assistenza o riparazione senza previo colloquio con Horizon. Questo vale anche per le riparazioni in garanzia. Quindi in tale caso bisogna interpellare un rivenditore, che si metterà in contatto subito con Horizon per prendere una decisione che vi possa aiutare nel più breve tempo possibile.

Manutenzione e riparazione—Se il prodotto deve essere ispezionato o riparato, si prega di rivolgersi ad un rivenditore specializzato o direttamente ad Horizon. Il prodotto deve essere imballato con cura. Bisogna far notare che i box originali solitamente non sono adatti per effettuare una spedizione senza subire alcun danno. Bisogna effettuare una spedizione via corriere che fornisce una tracciabilità e un'assicurazione, in quanto Horizon non si assume alcuna responsabilità in relazione alla spedizione del prodotto. Inserire il prodotto in una busta assieme ad una descrizione dettagliata degli errori e ad una lista di tutti i singoli componenti spediti. Inoltre abbiamo bisogno di un indirizzo completo, di un numero di telefono per chiedere ulteriori domande e di un indirizzo e-mail.

Garanzia e riparazione—Le richieste in garanzia verranno elaborate solo se è presente una prova d'acquisto in originale proveniente da un rivenditore specializzato autorizzato, nella quale è ben visibile la data di acquisto. Se la garanzia viene confermata, allora il prodotto verrà riparato o sostituito. Questa decisione spetta esclusivamente a Horizon Hobby.

Riparazioni a pagamento—Se bisogna effettuare una riparazione a pagamento, effettueremo un preventivo che verrà inoltrato al vostro rivenditore. La riparazione verrà effettuata dopo l'autorizzazione da parte del vostro rivenditore. La somma per la riparazione dovrà essere pagata al vostro rivenditore. Le riparazioni a pagamento avranno un costo minimo di 30 minuti di lavoro e in fattura includeranno le spese di restituzione. Qualsiasi riparazione non pagata e non richiesta entro 90 giorni verrà considerata abbandonata e verrà gestita di conseguenza.

ATTENZIONE: Le riparazioni a pagamento sono disponibili solo sull'elettronica e sui motori. Le riparazioni a livello meccanico, soprattutto per gli elicotteri e le vetture RC, sono molto costose e devono essere effettuate autonomamente dall'acquirente.

10/15

Garanzia e Assistenza - Informazioni per i contatti

Paese di acquisto	Horizon Hobby	Contatti	Indirizzo
Unione Europea	Horizon Technischer Service	service@horizonhobby.de	Hanskampring 9 D 22885 Barsbüttel, Germany
	Sales: Horizon Hobby GmbH	+49 (0) 4121 2655 100	

Dichiarazione di conformità per l'Unione europea



Dichiarazione di conformità UE:

Blade 330 S BNF Basic (BLH59550): Con la presente, Horizon Hobby, LLC dichiara che il dispositivo è conforme a quanto segue: Direttiva europea sulle apparecchiature radio (RED) 2014/53/UE; Direttiva RoHS 2 2011/65 / UE; Direttiva RoHS 3 - Modifica 2011/65 / UE allegato II 2015/863.

Il testo completo della dichiarazione di conformità UE è disponibile al seguente indirizzo internet: <https://www.horizonhobby.com/content/support-render-compliance>.

NOTA: questo prodotto contiene batterie coperte dalla direttiva europea 2006/66 / CE, che non possono essere smaltite con i rifiuti domestici. Attenersi alle normative locali.

Gamma di frequenza wireless e Potenza di uscita wireless:

Ricevitore:

2402.0-2478.0MHz
18.87dBm

Produttore ufficiale dell'UE:

Horizon Hobby, LLC
2904 Research Road
Champaign, IL 61822 USA

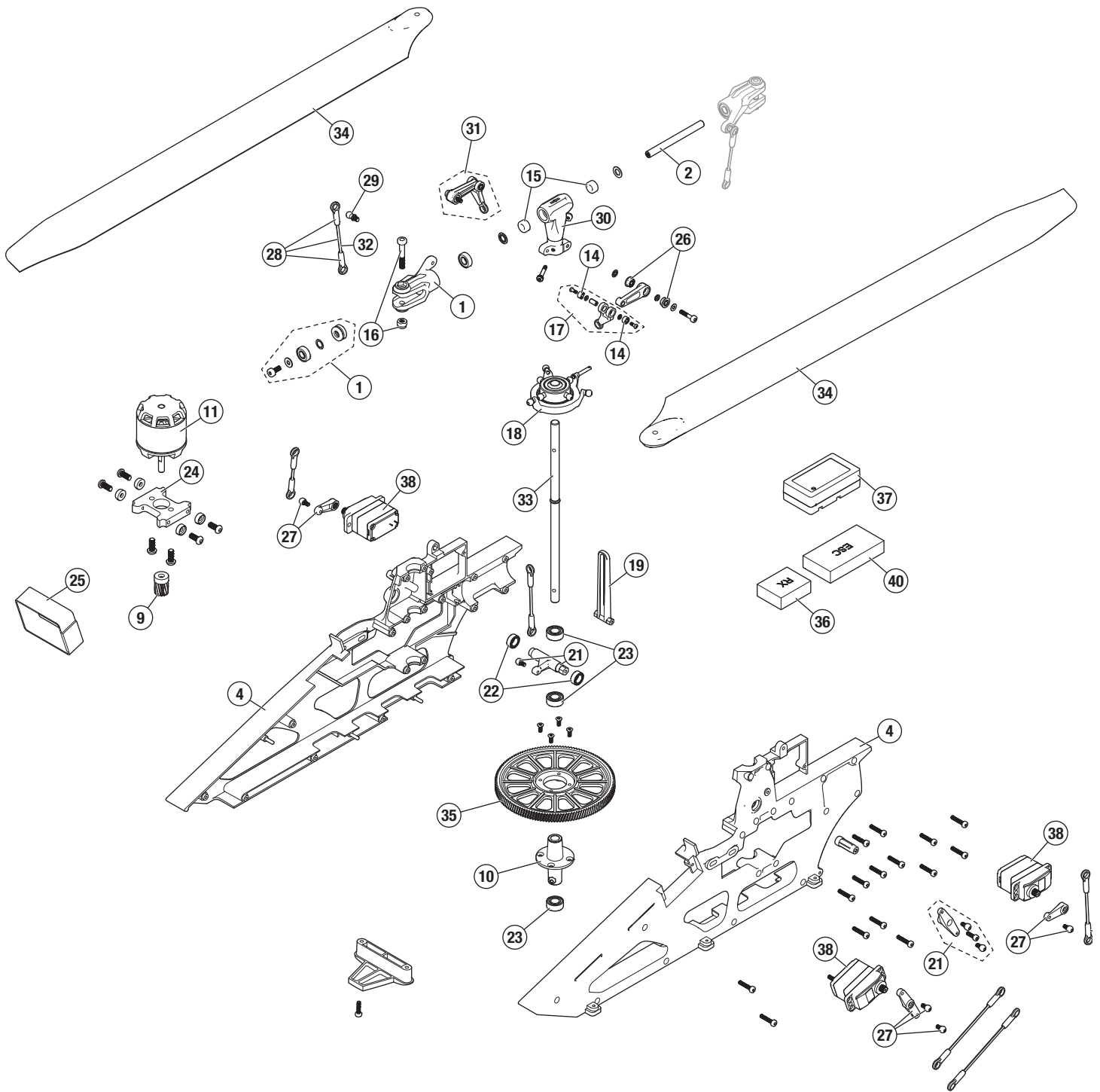
Importatore ufficiale dell'UE:

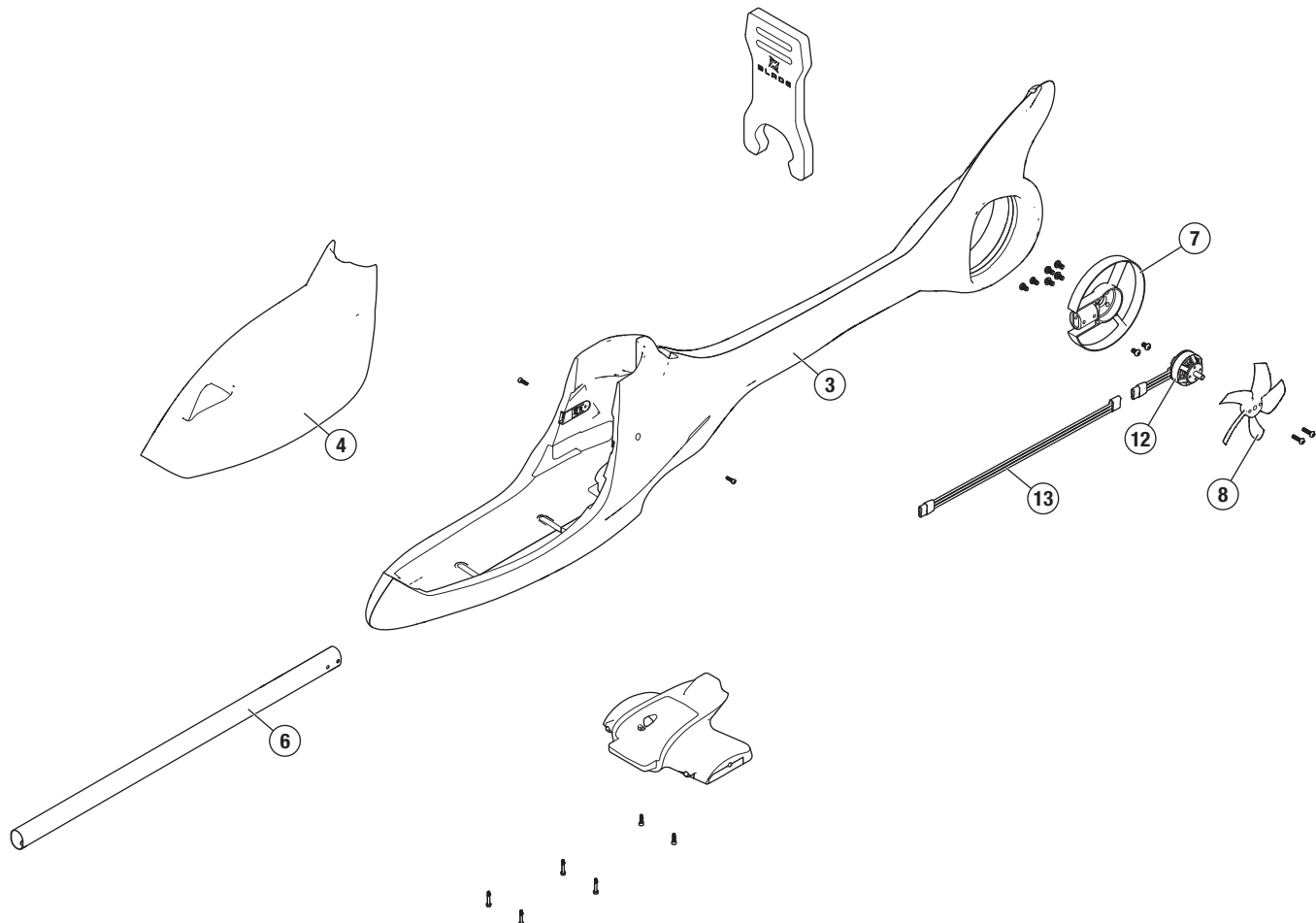
Horizon Hobby, GmbH
Hanskampring 9
22885 Barsbüttel Germany

AVVISO RAEE:



Questo dispositivo è marcato ai sensi della Direttiva europea 2012/19/UE riguardante i rifiuti di apparecchiature elettriche ed elettroniche (RAEE). Il simbolo indica che il prodotto non va smaltito insieme ai rifiuti domestici. Il prodotto deve essere consegnato agli appositi centri di raccolta per consentirne il recupero e il riciclaggio.





Parts List / Ersatzteile / Pièces de Rechange / Pezzi di Ricambio

#	Part #	English	Deutsch	Français	Italiano
1	BLH01201	Main Blade Grips (2): Eclipse 360	Hauptflügelblattgriffe (2): Eclipse 360	Poignées de la pale principale (2) : Eclipse 360	Impugnatura della lama principale (2): Eclipse 360
2	BLH01202	Spindle (2): Eclipse 360	Spindel (2): Eclipse 360	Axe (2) : Eclipse 360	Fusello (2): Eclipse 360
3	BLH01203	Main Body: Eclipse 360	Hauptkörper: Eclipse 360	Corps principal : Eclipse 360	Corpo principale: Eclipse 360
4	BLH01204	Main Frame: Eclipse 360	Haupttrahmen: Eclipse 360	Châssis principal : Eclipse 360	Telaio principale: Eclipse 360
5	BLH01205	Hatch: Eclipse 360	Abdeckung: Eclipse 360	Trappe : Eclipse 360	Portello: Eclipse 360
6	BLH01206	Tailboom: Eclipse 360	Heckausleger: Eclipse 360	Poutre de queue : Eclipse 360	Tube di coda: Eclipse 360
7	BLH01207	Tail Motor Mount: Eclipse 360	Heckmotorhalterung: Eclipse 360	Support moteur de queue : Eclipse 360	Supporto motore di coda: Eclipse 360
8	BLH01208	Tailrotor: Eclipse 360 (2)	Heckrotor: Eclipse 360 (2)	Rotor de queue : Eclipse 360 (2)	Rotore di coda: Eclipse 360 (2)
9	BLH01209	14t Pinon: Eclipse 360	14T Ritzel: Eclipse 360	Pignon 14t : Eclipse 360	Pignone 14t: Eclipse 360
10	BLH01210	Main Gear Housing: Eclipse 360	Hauptgetriebegehäuse: Eclipse 360	Boîtier du train principal : Eclipse 360	Alloggiamento carrello principale: Eclipse 360
11	BLH01247	Main Motor: Eclipse 360	Hauptmotor Eclipse 360	Moteur principal : Eclipse 360	Motore principale: Eclipse 360
12	BLH01248	Tailmotor: Eclipse 360	Heckmotor: Eclipse 360	Moteur de queue : Eclipse 360	Motore di coda: Eclipse 360
13	BLH01249	Tail Extension Lead: Eclipse 360	Verlängerungsleitung Heck: Eclipse 360	Rallonge de queue : Eclipse 360	Cavo di prolunga della coda: Eclipse 360
14	BLH1607	1.4x4x2 Bearing (4)	Lager 1,4x4x2 (4)	Roulembt 1,4 x 4 x 2 (4)	1.cuscinetto 4x4x2 (4)
15	BLH1608	Dampeners 80 (4): B450	Stoßdämpfer 80 (4): B450	Amortisseurs 80 (4) : B450	Ammortizzatori 80 (4): B450
16	BLH1616	Main Rotor Blade Mounting Screw & Nut (2):B450	Befestigungsschraube und Mutter Hauptrotorblatt (2):B450	Vis et écrous de support de pale du rotor principal (2) : B450	Vite e dado di montaggio della lama del rotore principale (2):B450
17	BLH1632	Washout Ctrl Arm Link Set: B450	Verbindungssatz Pitch-Steuerarm: B450	Kit de liaison de bras de commande de lavage : B450	Set di collegamenti del braccio di controllo del washout: B450
18	BLH1633	Alum & Comp Swashplt: B450, B400	Taumelscheibe, Aluminium & Verbundmaterial: B450, B400	Plateau cyclique en aluminium et composite : B450, B400	Alluminio e Comp piatto oscillante: B450, B400
19	BLH1634	Anti-RotBrckt/Guide: B450, B400	Schraubensicherung/Führung: B450, B400	Guide/support antirotation : B450, B400	Anti-RotBrckt/Guida: B450, B400
20	BLH1637	Ball Link Set (20): B450, B400	Kugelgelenk-Satz (20): B450, B400	Ensemble de liaisons à billes (20) : B450, B400	Set di collegamenti a sfera (20): B450, B400
21	BLH1640	ElevatorCtrlLeverSt: B450, B400	Höhenruder-Steuerhebelsatz: B450, B400	Ensemble de leviers de commande de profondeur : B450, B400	ElevatorCtrlLeverSt: B450, B400
22	BLH1641	5x8x2.5 Bearing (2)	Lager 5x8x2,5 (2)	Roulement 5 x 8 x 2,5 (2)	Cuscinetto 5x8x2,5 (2)
23	BLH1642	5x10x4 Bearing (2)	Lager 5x10x4 (2)	Roulement 5 x 10 x 4 (2)	Cuscinetto 5x10x4 (2)
24	BLH1643	Alum Motor Mount Set: B450, B400	Aluminium-Motorhalterungssatz: B450, B400	Ensemble support du moteur en aluminium : B450, B400	Set supporto motore alum: B450, B400
25	BLH1644	Hook&LoopBattStrap: B450, B400	Klettband Akku: B450, B400	Bande velcro pour la batterie : B450, B400	Gancio e anelloBattStrap: B450, B400
26	BLH1666	2x5x2.5 Bearing (4)	Lager 2x5x2,5 (4)	Roulement 2 x 5 x 2,5 (4)	Cuscinetto 2x5x2,5 (4)
27	BLH1676	Servo Arm Set: B450, B400	Servoarm-Satz: B450, B400	Ensemble de bras de servo : B450, B400	Set bracci servo: B450, B400
28	BLH4301	Flybarless Linkage Set: B450 X	Gestängesatz ohne Paddelstange: B450 X	Ensemble tringlerie sans barre stabilisatrice : B450 X	Set leveraggi Flybarless: B450 X
29	BLH4303	Main Rotor Grip FBL Control Balls (2):B450X	FBL-Rollkugel Hauptrotorhalter (2): B450X	Rotules de commande, poignée, rotor principal FBL (2) : B450X	Sfere di controllo FBL dell'impugnatura del rotore principale (2):B450X
30	BLH4322	Alu FBL Head Block Set: B450 X	Alu FBL Kopfblocksatz: B450 X	Ensemble bloc de tête FBL en aluminium : B450 X	Set blocco testa Alu FBL: B450 X
31	BLH4331	FBL Follower Arms: B450 X	FBL Folgerarme: B450 X	Bras suivants FBL : B450 X	FBL Bracci di scorrimento: B450 X
32	BLH4338	FBL LnkageRd/Pshrd St: B450 X	FBL Gestängesatz: B450 X	Ensemble barres/tiges de liaison : B450 X	FBL LnkageRd/Pshrd St: B450 X
33	BLH4347	Flybarless Mainshaft (2): B450 X	Hauptwelle ohne Paddelstange (2): B450 X	Arbre principal sans barre stabilisatrice (2) : B450 X	Albero principale Flybarless (2): B450 X
34	BLH5201	Fusion 350mm Main Blade	Fusion 350 mm Hauptblatt	Pale principale Fusion 350 mm	Pala principale Fusion 350 mm
35	BLH5337	Helical Main Gear, 135T	Schrägverzahntes Hauptgetriebe, 135T	Train principal hélicoïdal, 135T	Ingranaggio principale elicoidale, 135T
36	SPM4651T	SRXL2 Serial Telemetry Receiver	Serieller Telemetrieempfänger SRXL2	Récepteur de télémétrie en série SRXL2	Ricevitore telemetrico Seriale SRXL2
37	SPMFC6250HX	FC6250HX Helicopter FBL System	FC6250HX Hubschrauber mit FBL-System	Système FBL pour hélicoptère FC6250HX	Sistema per elicottero FBL FC6250HX
38	SPMSH3050	H3050 M-T / U-S MicroCyclicServ	H3050 M-T / U-S Mikro-Steuer servo	Micro servo cyclique H3050 M-T / U-S	H3050 M-T / U-S MicroCyclicServ
39	SPMSP2052	Case Set: H3050, H3060	Gehäusesatz: H3050, H3060	Ensemble de boîtier : H3050, H3060	Set custodia: H3050, H3060
40	SPMXAHE3015	Dual ESC 30A 15A: Eclipse 360	Doppel-ESC 30A 15A: Eclipse 360	Variateur ESC double 30 A 15 A : Eclipse 360	Doppio ESC 30A 15A: Eclipse 360

Optional Parts / Optionale Bauteile / Pièces Optionnelles / Pezzi Opzionali

Part #	English	Deutsch	Français	Italiano
BLH4317A	Alu FBL Main Rtr Grp Set: B450 X	Alu FBL Hauptrotorhaltersatz: B450 X	Ensemble poignée du rotor principal FBL en aluminium : B450 X	Set di gruppi di montaggio principale FBL in alluminio: B450 X
BLH4331A	Alu FBL Follower Arms: B450 X	Alu FBL Folgerarme: B450 X	Bras suiveurs FBL en aluminium : B450 X	Bracci di scorrimento Alu FBL: B450 X

Recommended Components / Empfohlene Komponenten / Composants recommandés / Componenti raccomandati

Part #	English	Deutsch	Français	Italiano
SPMX22003S100	2200mAh 3S 11.1V Smart 100C; IC3	2200 mAh 3S 11,1 V Smart 100C; IC3	2200 mAh 3S 11,1 V Smart 100C ; IC3	2200 mAh 3S 11,1 V Smart 100C; IC3
SPMX22003S30	2200mAh 3S 11.1V Smart 30C; IC3	2200 mAh 3S 11,1 V Smart 30C; IC3	2200 mAh 3S 11,1 V Smart 30C ; IC3	2200 mAh 3S 11,1 V Smart 30C; IC3
SPMX22003S50	2200mAh 3S 11.1V Smart 50C; IC3	2200 mAh 3S 11,1 V Smart 50C; IC3	2200 mAh 3S 11,1 V Smart 50C ; IC3	2200 mAh 3S 11,1 V Smart 50C; IC3
SPMXC1020	Smart S120 USB-C Charger, 1x20	Smart S120 USB-C-Ladegerät, 1 x 20 W	Chargeur Smart S120 USB-C, 1 x 20	Caricabatterie Smart S120 USB-C, 1x20 W
SPMXPSA200	Smart G2 Air Powerstage 2	Smart G2 Air Powerstage 2	Smart G2 Air Powerstage 2	Smart G2 Air Powerstage 2



©2023 Horizon Hobby, LLC.

Blade, the Blade logo, SAFE, The SAFE logo, DSM2, DSMX, BNF, the BNF logo, IC3, and the Horizon Hobby logo are trademarks or registered trademarks of Horizon Hobby, LLC.

The Spektrum trademark is used with permission of Bachmann Industries, Inc.
All other trademarks, service marks or logos are property of their respective owners.

US 9,930,567. US 10,419,970. US 10,849,013. CN201721563463.4. Other patents pending.

Created 09/23

533908

BLH01250